

[54] **WALL MOUNTABLE BAG HOLDER**

[75] **Inventor: Ross Deacon, Syracuse, N.Y.**

[73] **Assignee: Syroco, Inc., Syracuse, N.Y.**

[\*\*] **Term: 14 Years**

[21] **Appl. No.: 507,570**

[22] **Filed: Jun. 24, 1983**

[52] **U.S. Cl. .... D34/6**

[58] **Field of Search .... D34/11; D34/1-11;  
220/1 T, 337, 334; 232/1 R; 248/97, 99;  
211/87, 88; D6/555**

[56] **References Cited**

**U.S. PATENT DOCUMENTS**

D. 274,105 6/1984 Brescia et al. .... D6/555  
2,425,260 8/1947 Mayer ..... D34/8  
3,218,014 11/1965 Frazier ..... 232/43.2  
3,861,125 1/1975 Hagemeister ..... 53/390

**FOREIGN PATENT DOCUMENTS**

1314912 12/1962 France ..... 248/99

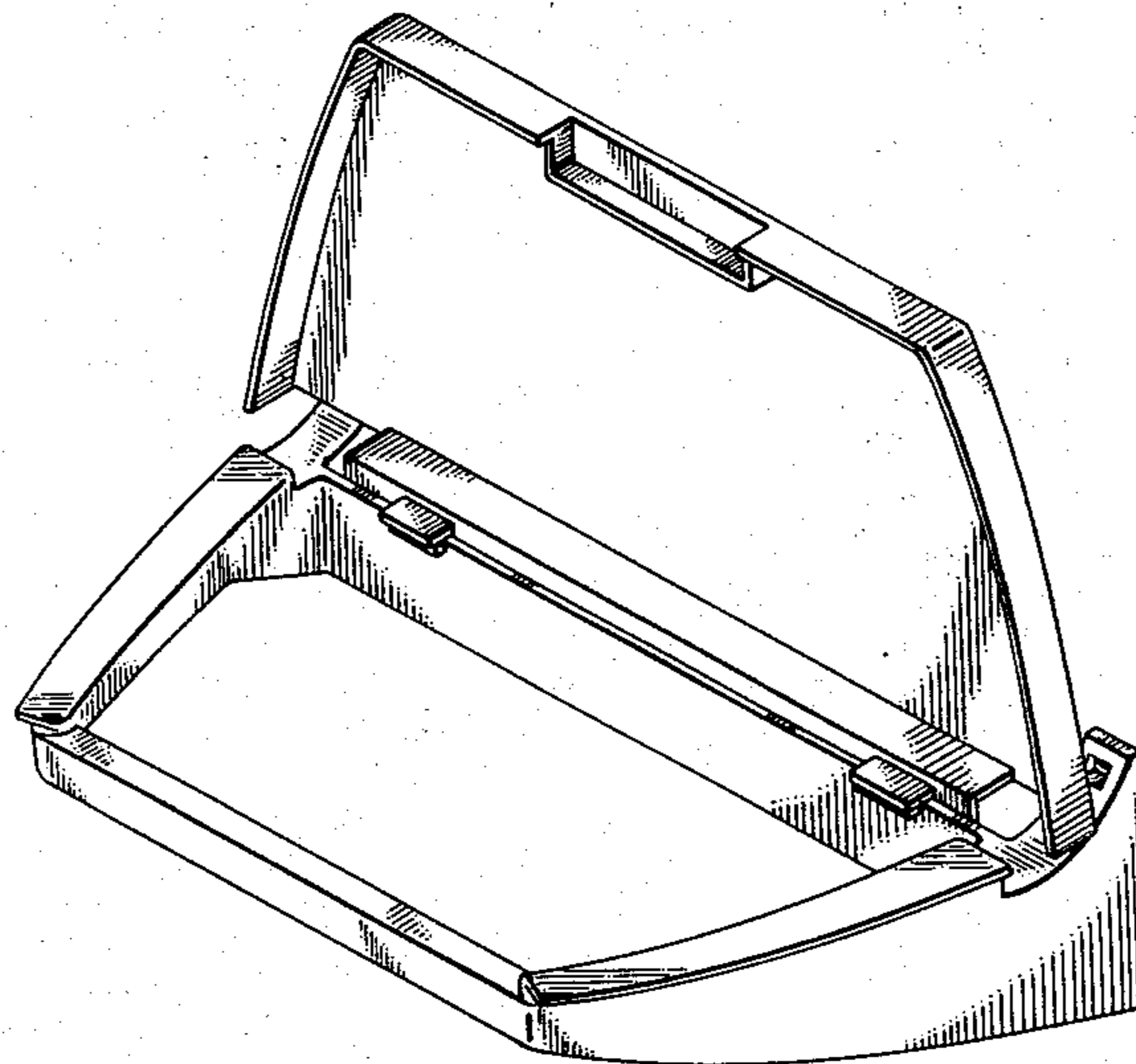
*Primary Examiner*—James M. Gandy  
*Assistant Examiner*—Kay H. Chin  
*Attorney, Agent, or Firm*—Stanley R. Moore

[57] **CLAIM**

The ornamental design for a wall mountable bag holder, as shown and described.

**DESCRIPTION**

FIG. 1 is a top perspective view of a wall mountable bag holder showing my design;  
FIG. 2 is a top perspective view thereof, with the lid in open condition;  
FIG. 3 is a top plan view thereof;  
FIG. 4 is a front elevational view thereof;  
FIG. 5 is a left side elevational view thereof;  
FIG. 6 is a rear elevational view thereof;  
FIG. 7 is a right side elevational view thereof; and  
FIG. 8 is a bottom plan view thereof.



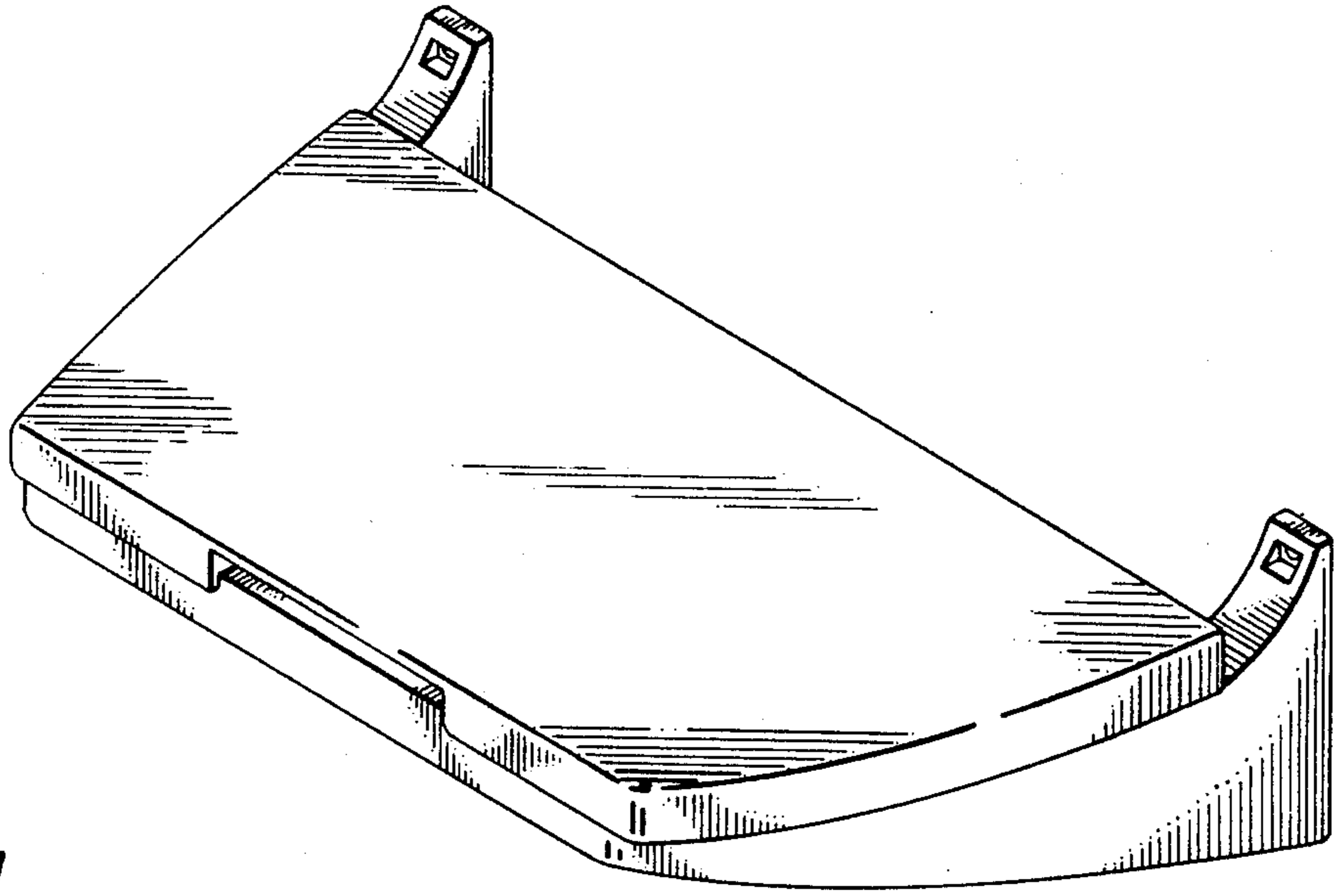


FIG. 1

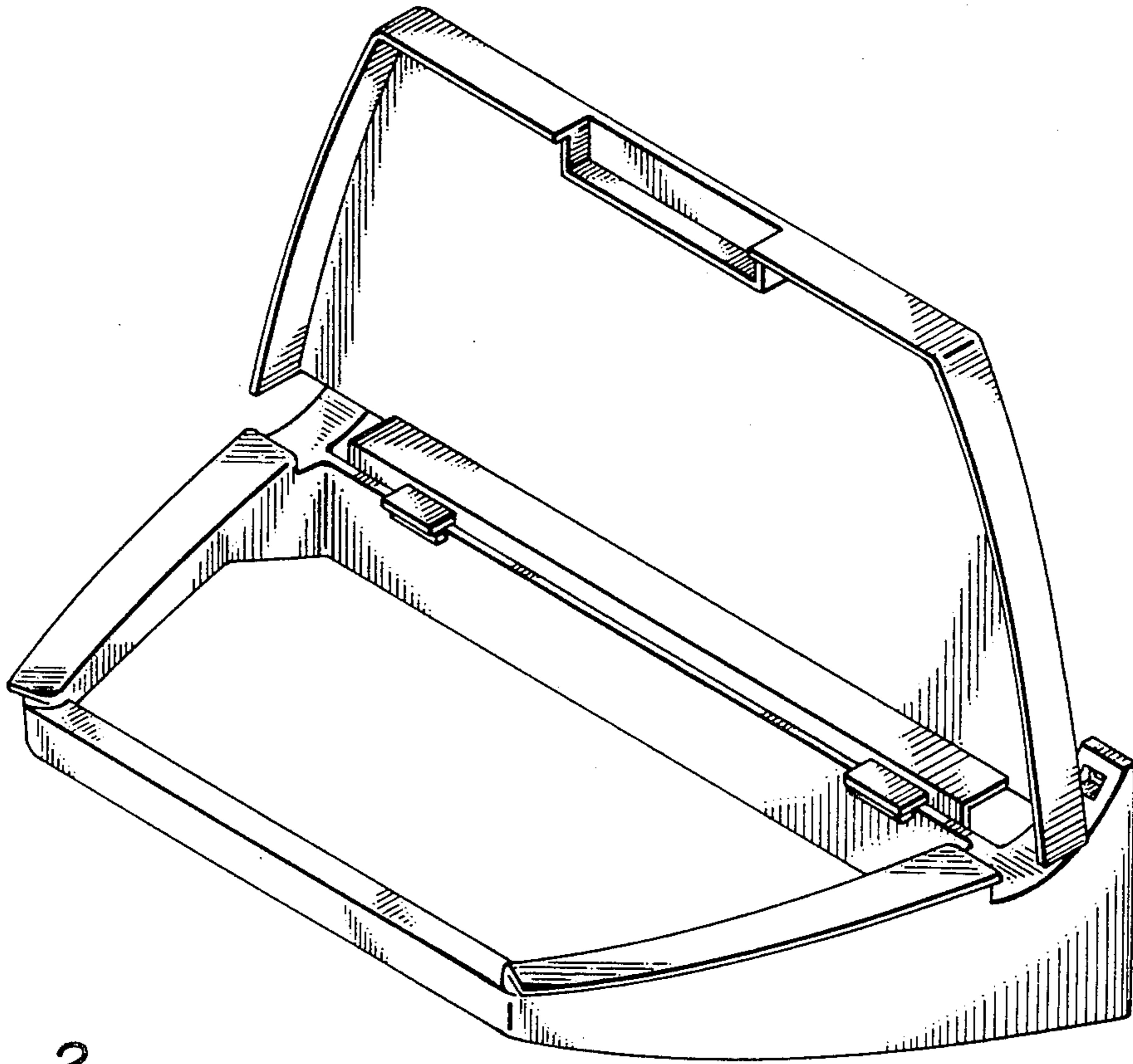


FIG. 2

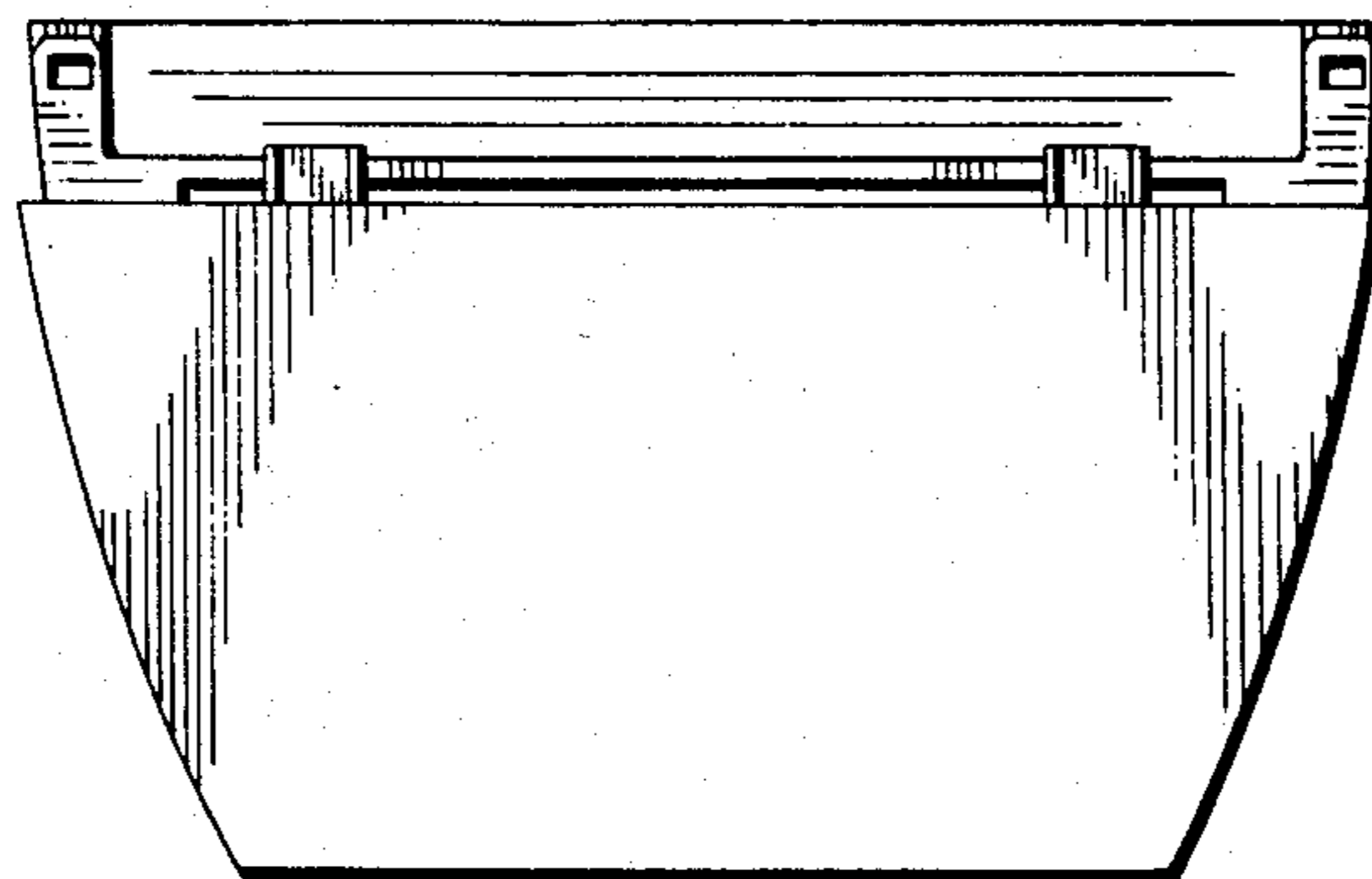


FIG. 3

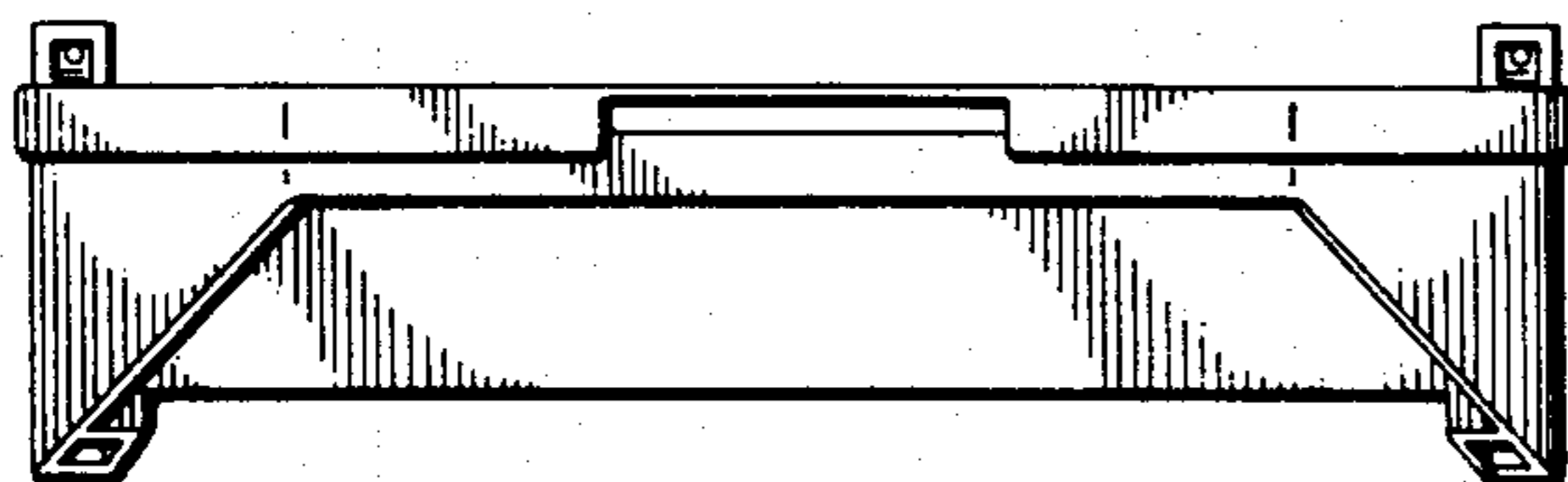


FIG. 4

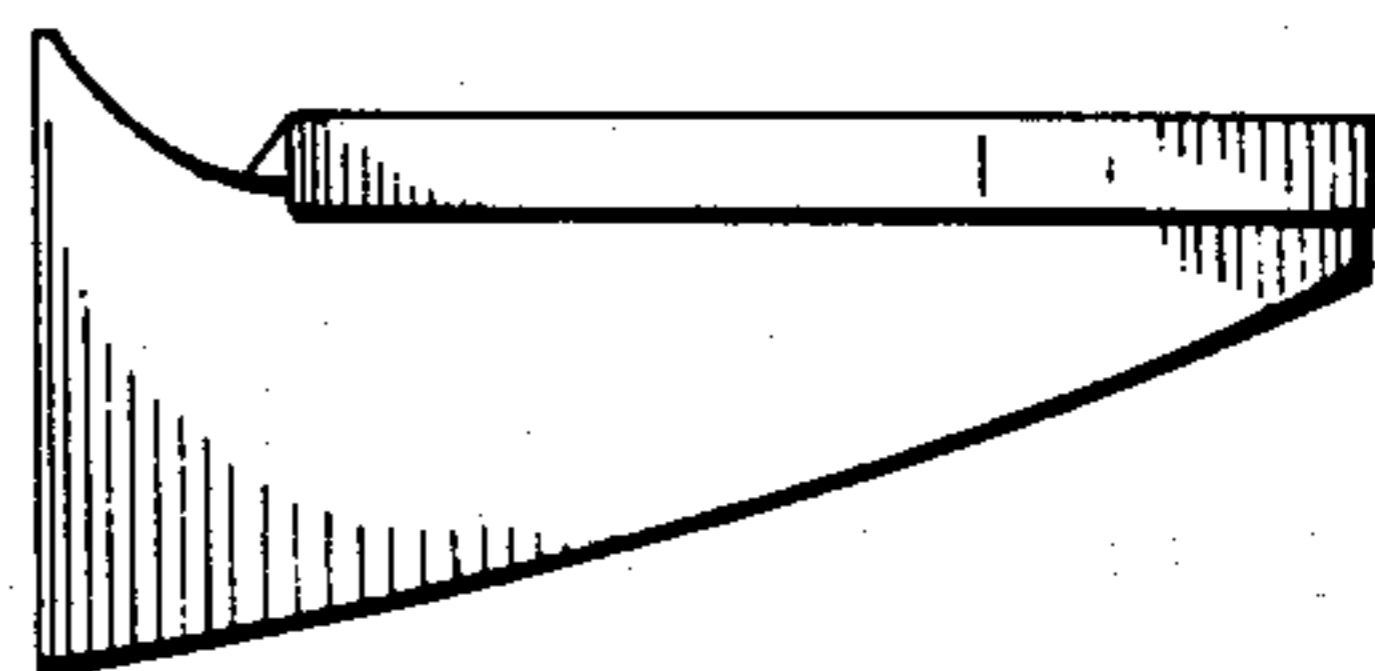


FIG. 5

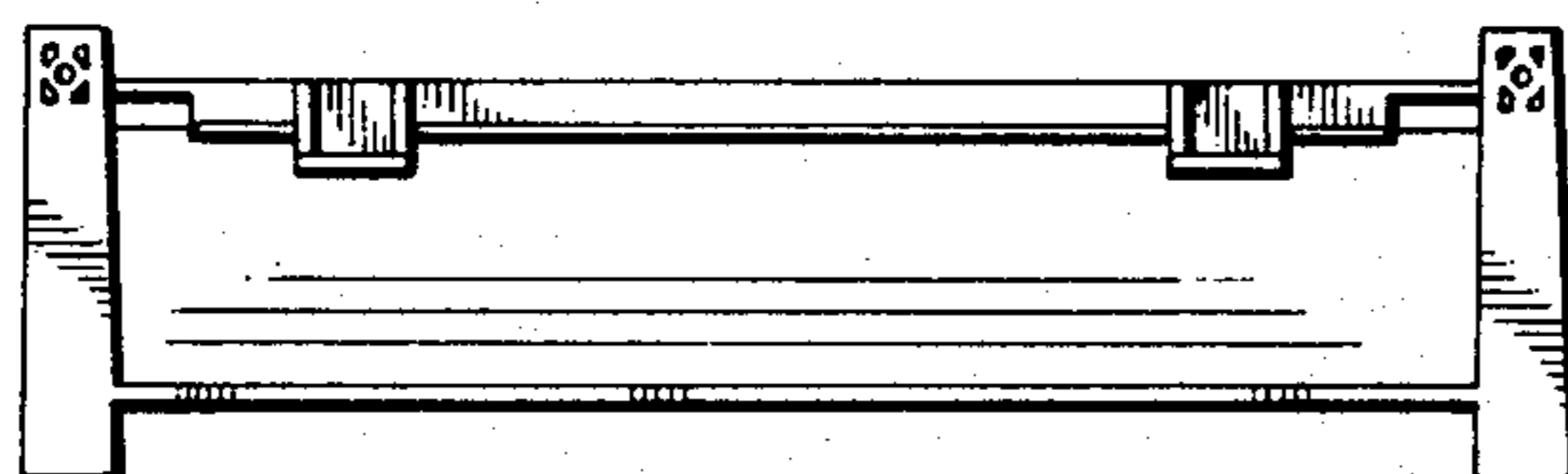


FIG. 6

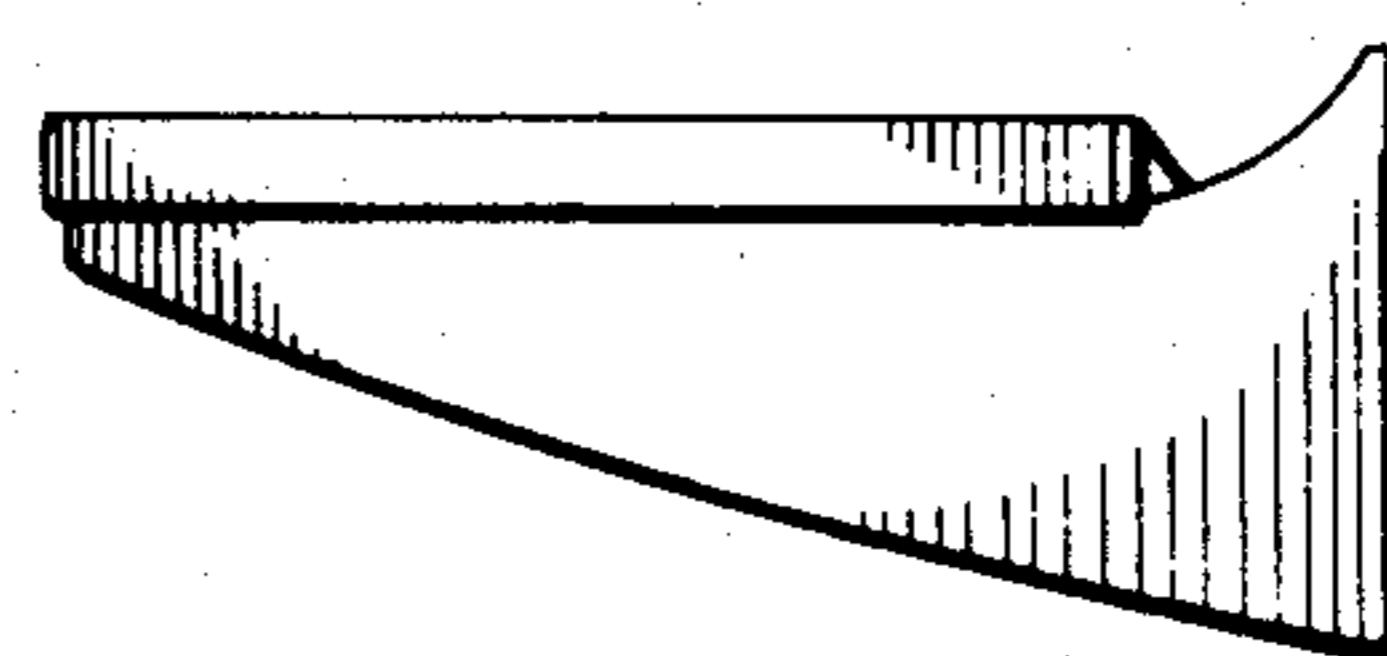


FIG. 7

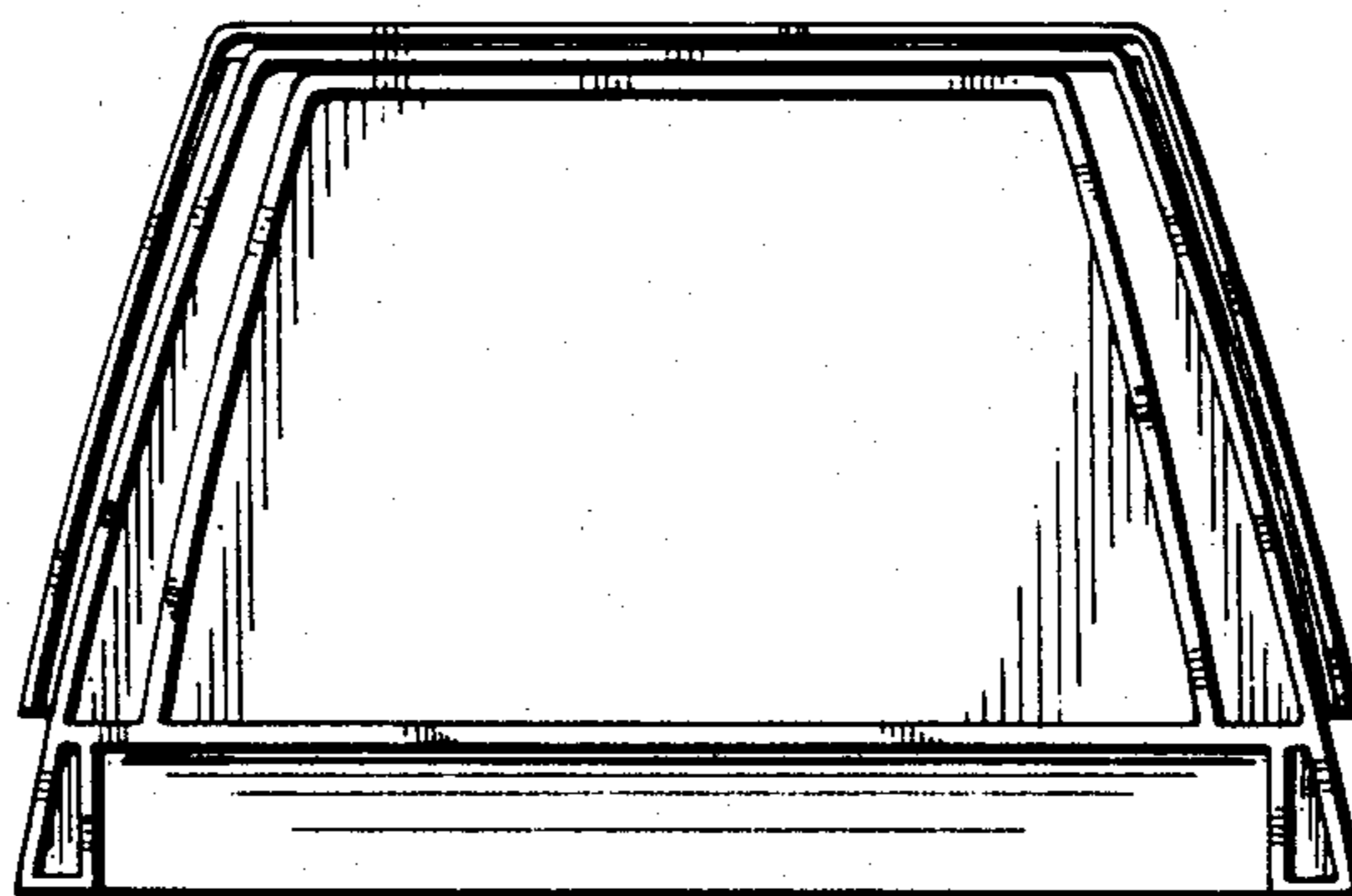


FIG. 8