

[54] **CLAMP FOR PORTABLE LIGHT OR SIMILAR ARTICLE**

[76] **Inventor: Joseph G. Bacevius, 780 Bridgeport Ave., Shelton, Conn. 06484**

[**] **Term: 14 Years**

[21] **Appl. No.: 446,494**

[22] **Filed: Dec. 3, 1982**

[52] **U.S. Cl. D26/138; D8/394**

[58] **Field of Search D26/37-50, D26/138, 140; D8/394; 362/396, 190, 191, 389, 399**

[56] **References Cited**

U.S. PATENT DOCUMENTS

D. 163,892	7/1951	Mitchell, Jr.	D8/394
2,782,296	2/1957	Walter	362/396 X
4,399,498	8/1983	Bacevius	362/396

Primary Examiner—Susan J. Lucas
Attorney, Agent, or Firm—Arthur T. Fattibene

[57] **CLAIM**

The ornamental design for the clamp for portable light or similar article, substantially as shown and described.

DESCRIPTION

FIG. 1 is a top, right end perspective view of a clamp for portable light or similar article showing my new design.

FIG. 2 is a top, left end perspective view thereof on an enlarged scale.

FIG. 3 is a bottom perspective view thereof.

FIG. 4 is a top view thereof.

FIG. 5 is a side elevational view thereof.

FIG. 6 is a bottom view thereof.

FIG. 7 is a left end elevational view thereof.

FIG. 8 is a right end elevational view thereof.

The support and light are shown in broken lines for illustrative purposes only.

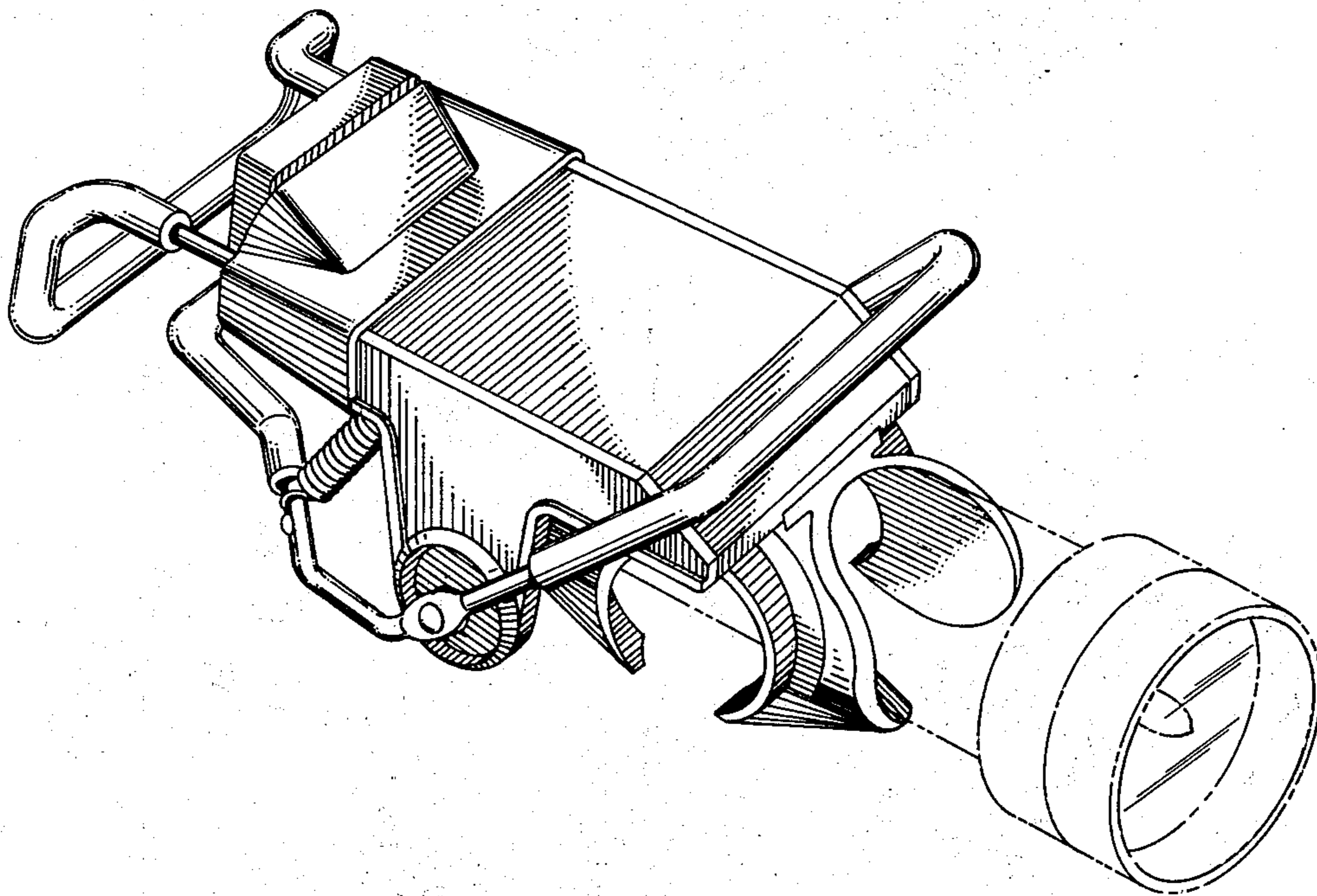


FIG. 1

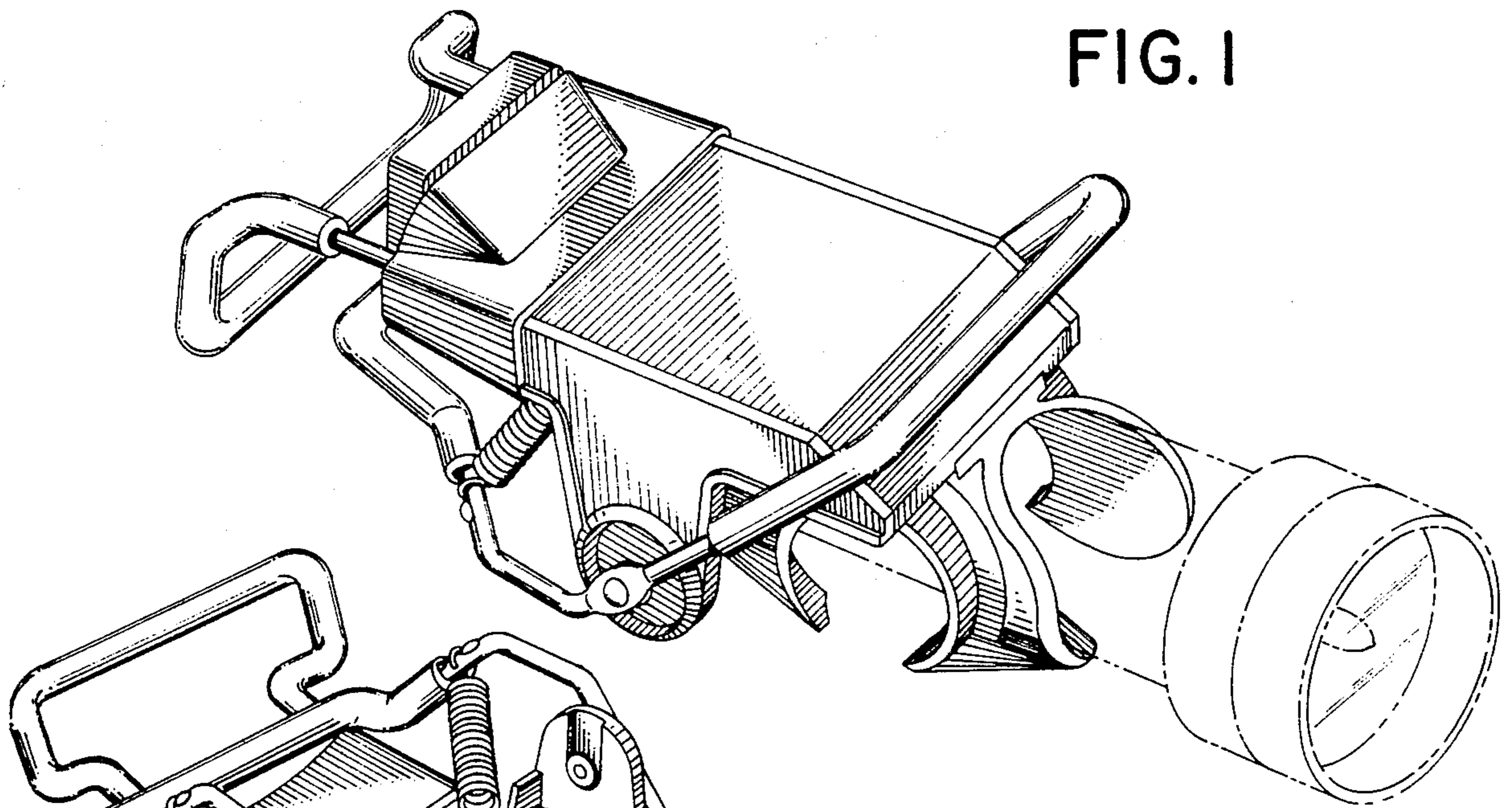


FIG. 3

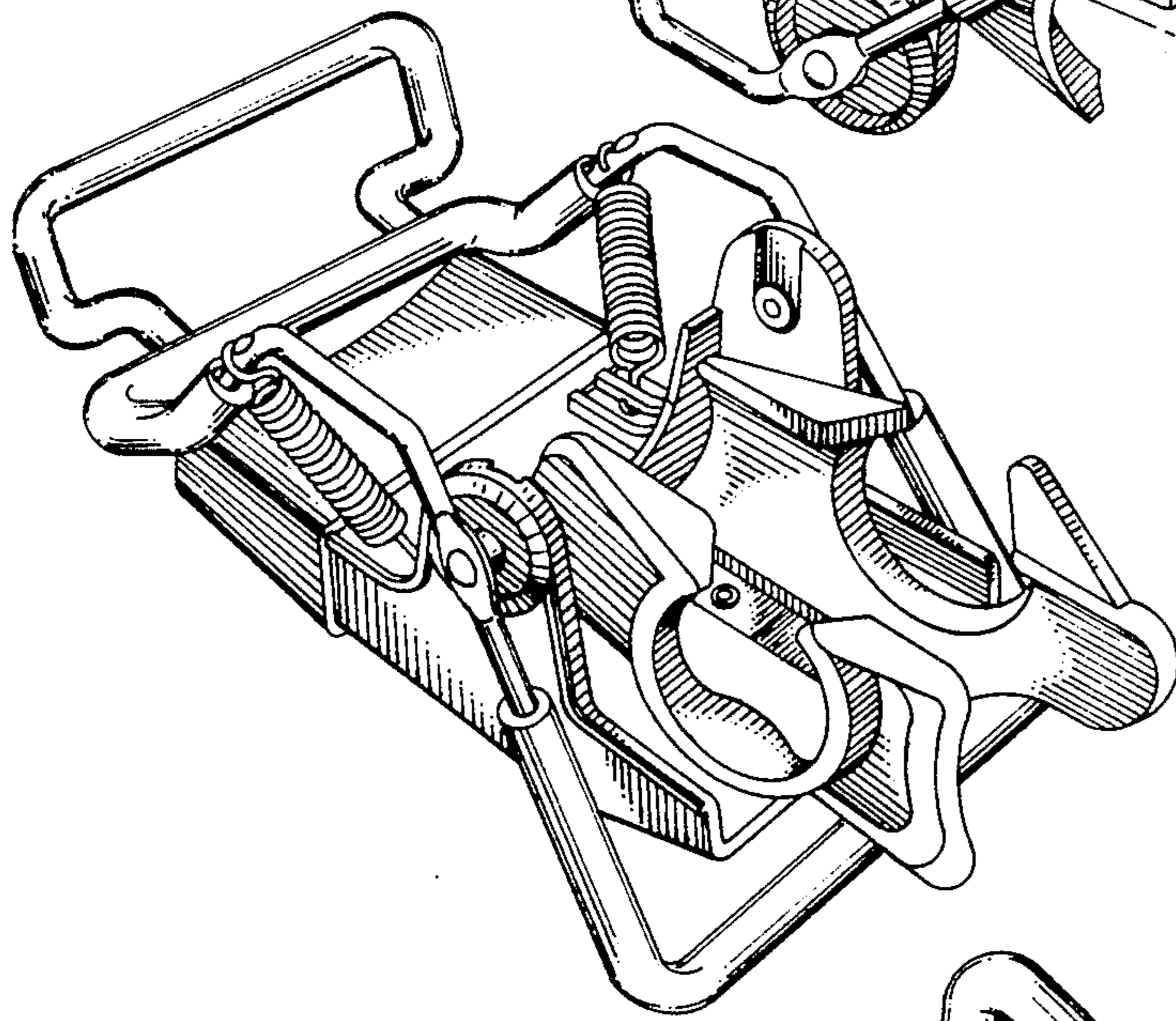


FIG. 2

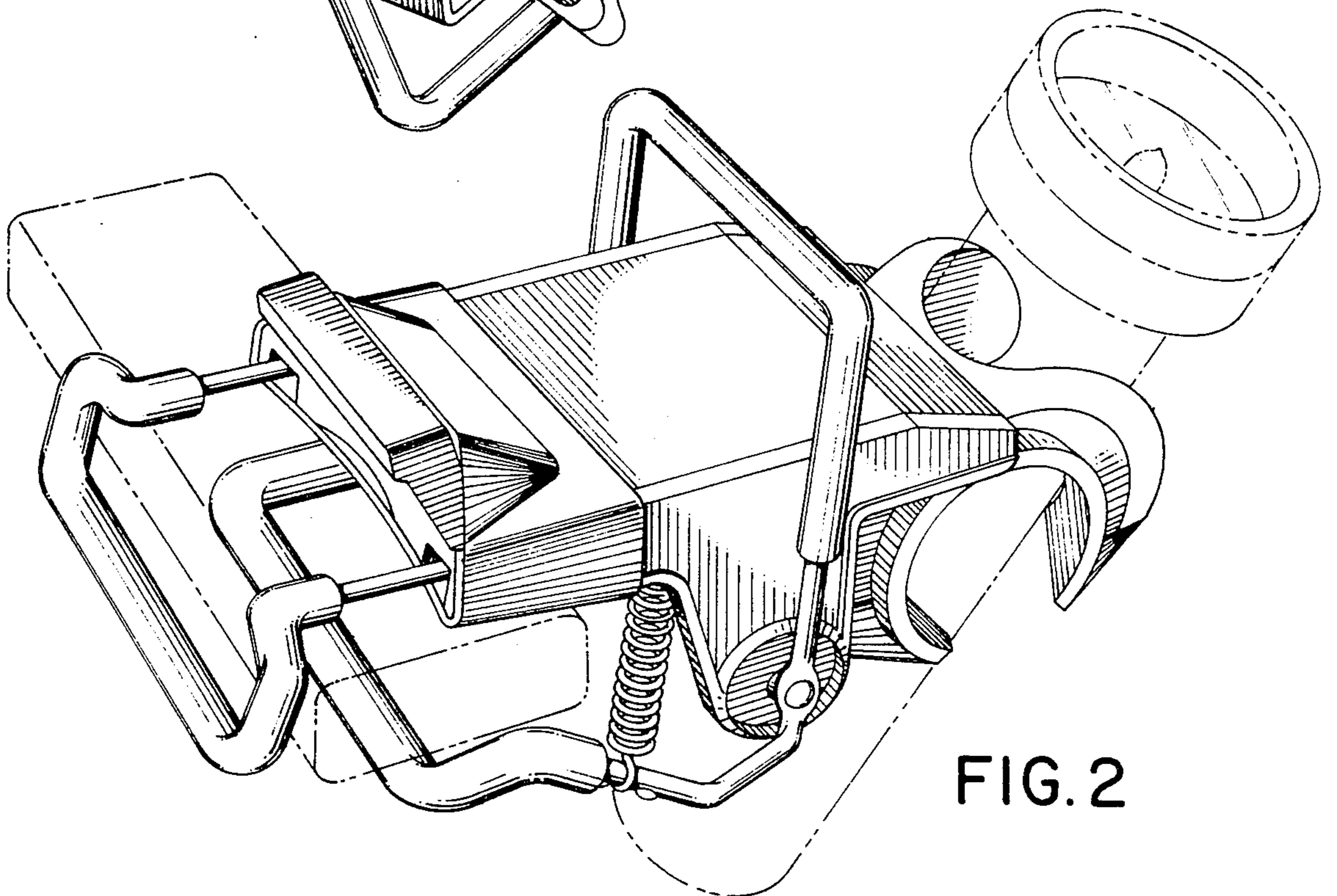


FIG. 4

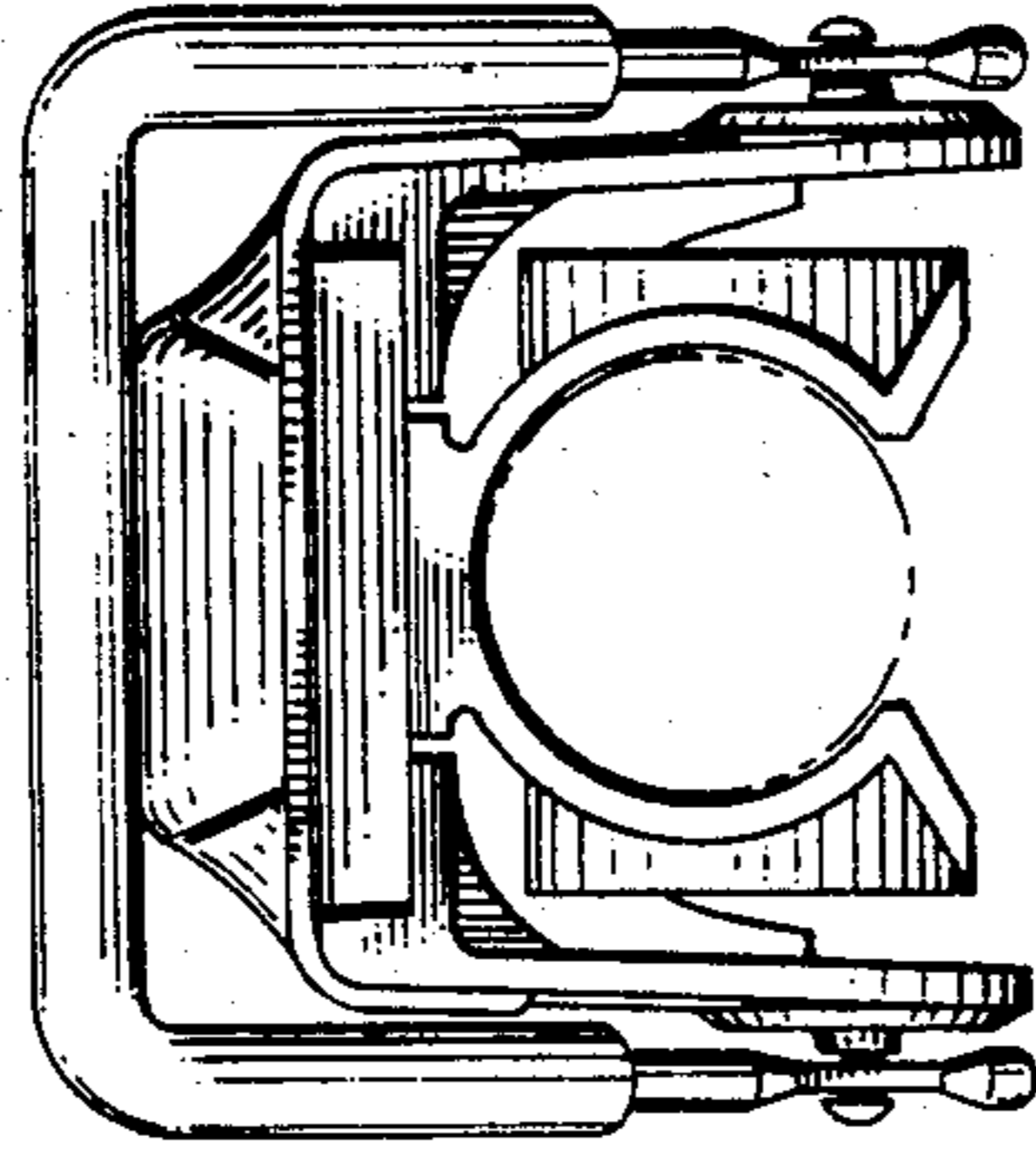
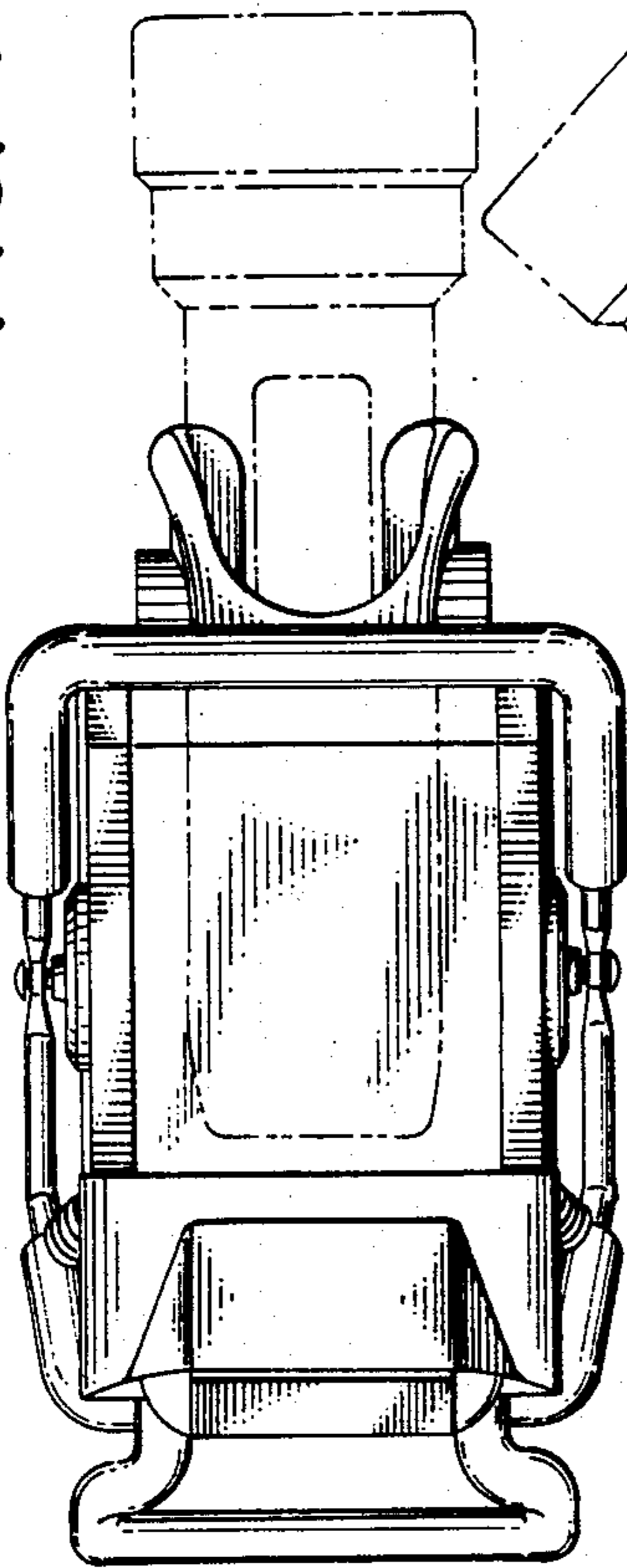


FIG. 8

FIG. 5

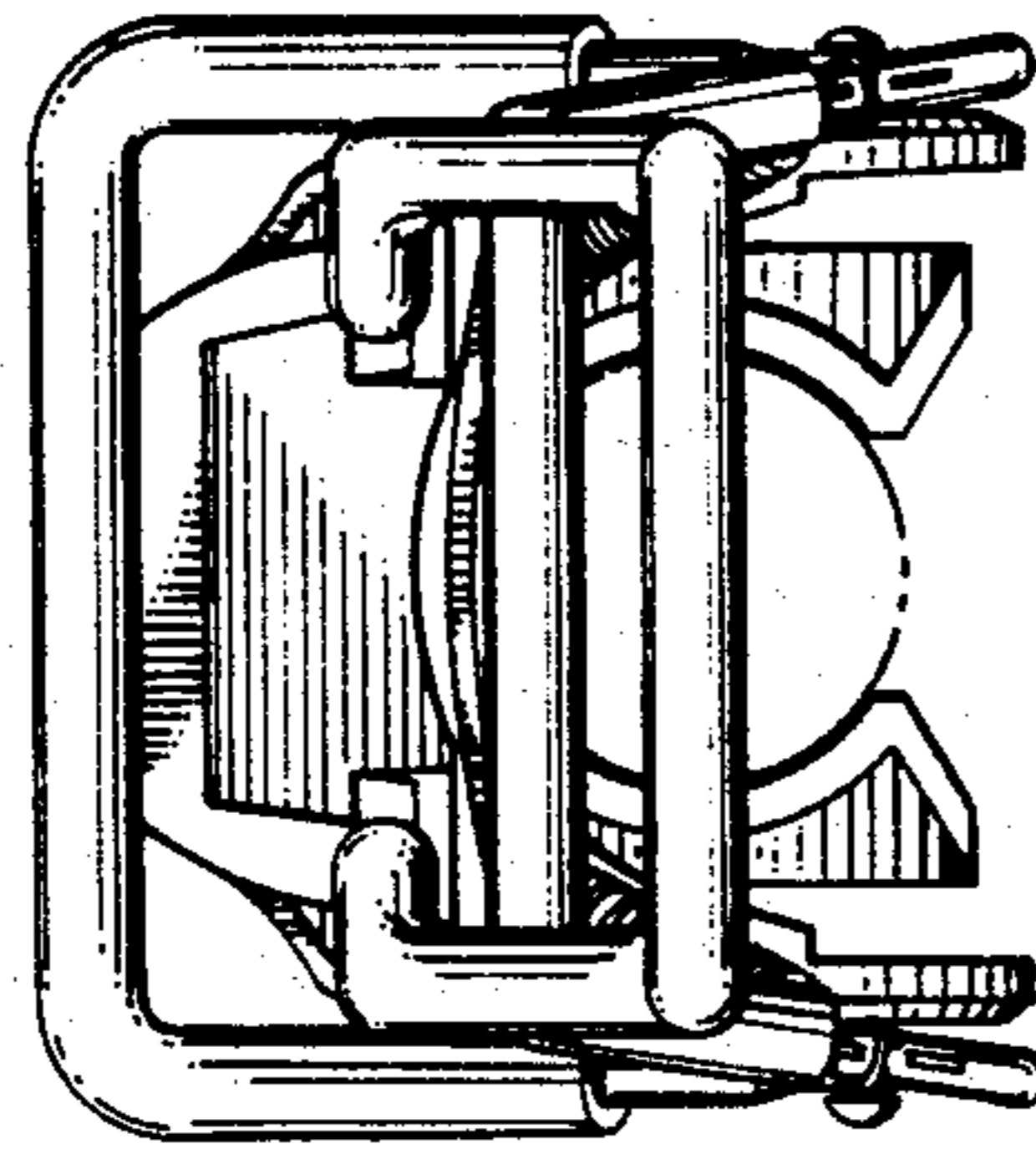
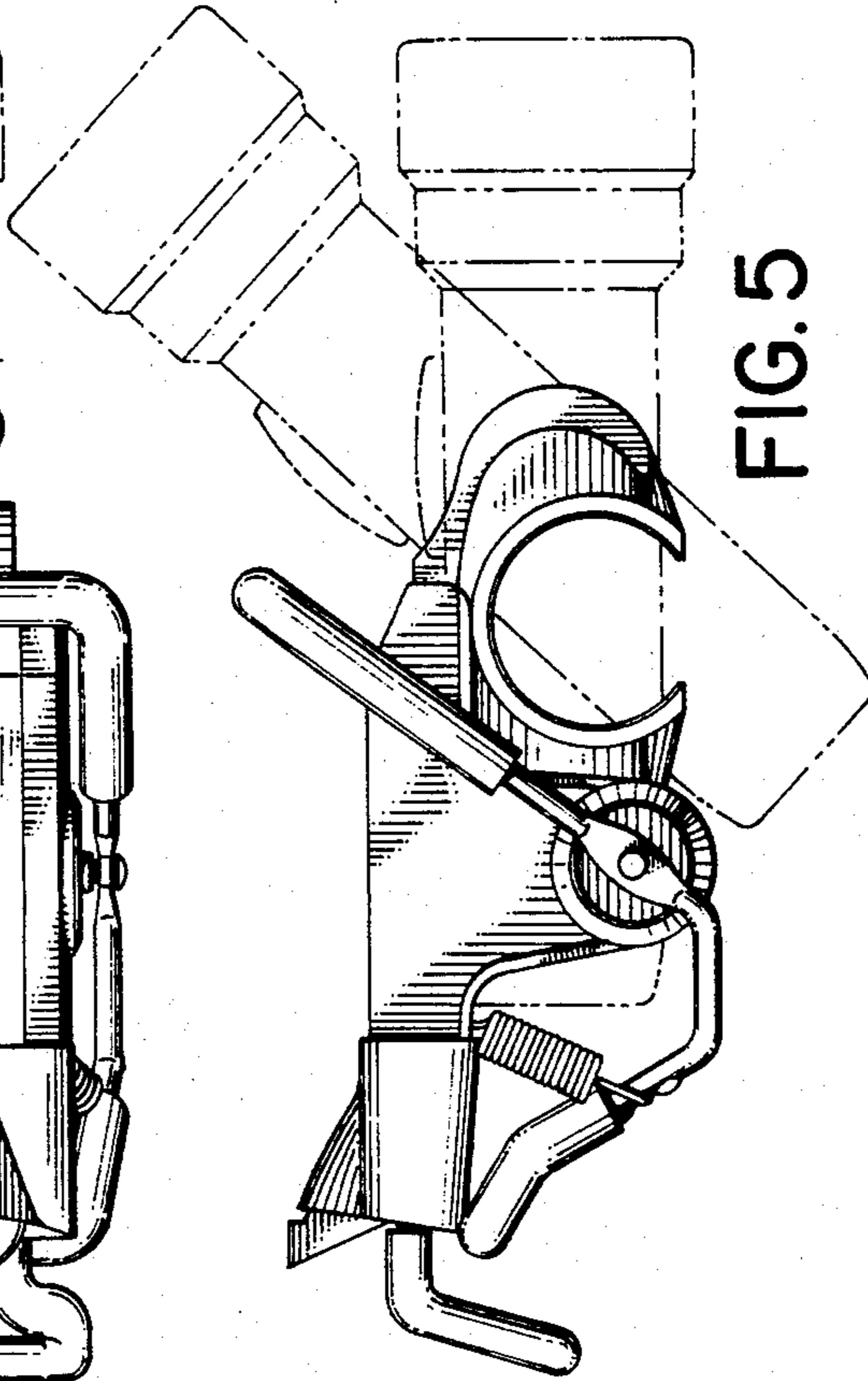


FIG. 7

FIG. 6

