

United States Patent [19]

Peeler et al.

[11] Patent Number: **Des. 279,611**

[45] Date of Patent: **** Jul. 9, 1985**

[54] **SURGICAL LIGHT**

4,288,844 9/1981 Fisher et al. 362/227 X

[75] Inventors: **Donald H. Peeler, Pittsford; Daniel Calabria, Henrietta, both of N.Y.**

FOREIGN PATENT DOCUMENTS

2532946 1/1977 Fed. Rep. of Germany 362/804

[73] Assignee: **Sybron Corporation, Rochester, N.Y.**

Primary Examiner—Susan J. Lucas

[**] Term: **14 Years**

Attorney, Agent, or Firm—Robert A. Gerlach; Owen D. Marjama

[21] Appl. No.: **443,246**

[22] Filed: **Nov. 22, 1982**

[52] U.S. Cl. **D26/65; D26/24**

[58] Field of Search 362/294, 306, 307, 310, 362/311, 227, 235, 240, 257, 804, 33; D26/61, 63, 65, 24

[57] CLAIM

The ornamental design for a surgical light, substantially as shown and described.

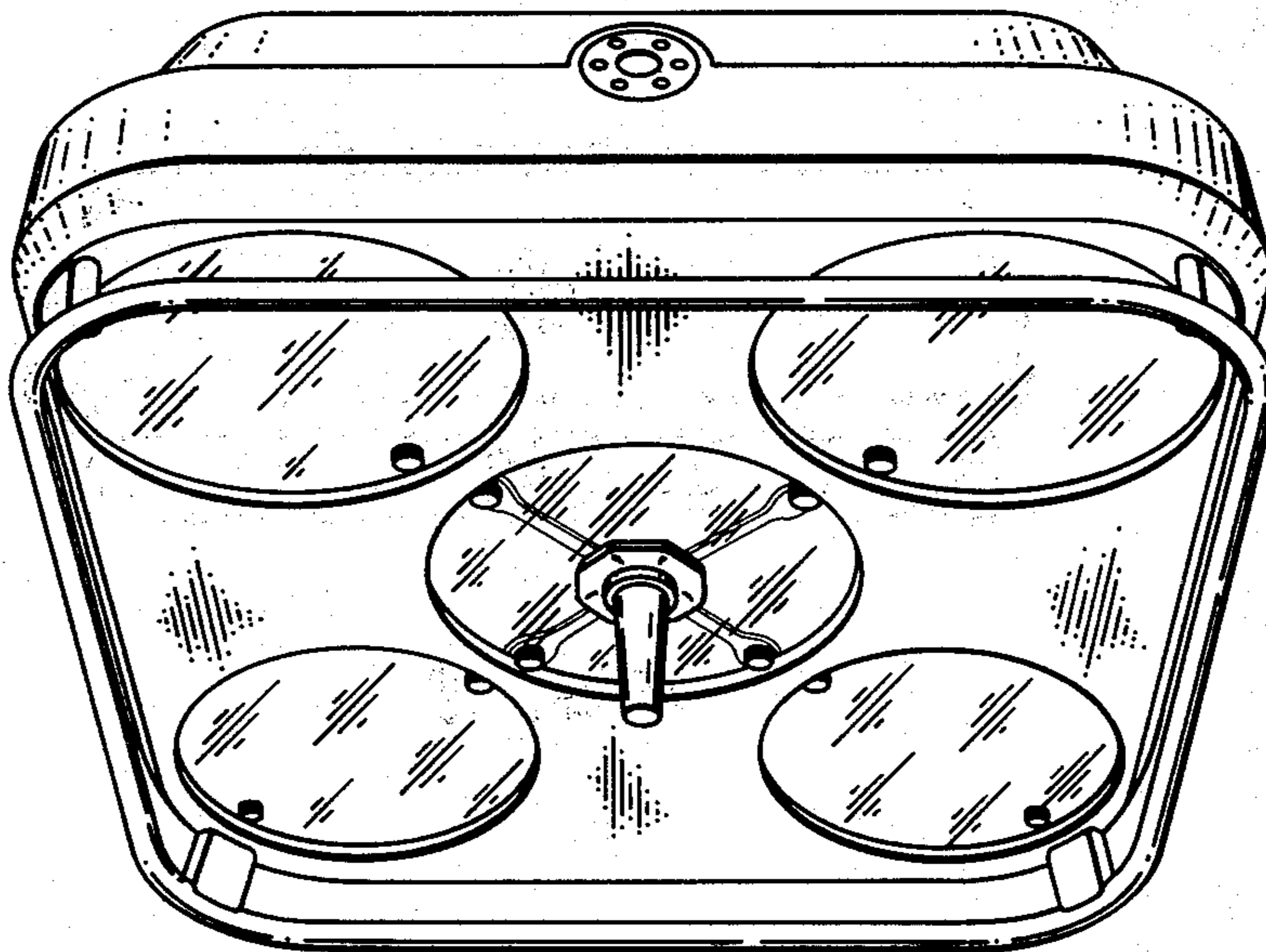
[56] References Cited

U.S. PATENT DOCUMENTS

D. 171,034 12/1953 Greppin D26/65
D. 211,388 6/1968 Harrison D26/63
D. 214,188 5/1969 Lauterbach D26/65
2,827,554 3/1958 Günther et al. D26/63 X

DESCRIPTION

FIG. 1 is a perspective view of a surgical light showing our new design;
FIG. 2 is a right side view thereof;
FIG. 3 is a front view thereof;
FIG. 4 is a left side view thereof;
FIG. 5 is a rear view thereof;
FIG. 6 is a top view thereof;
FIG. 7 is a bottom view thereof.



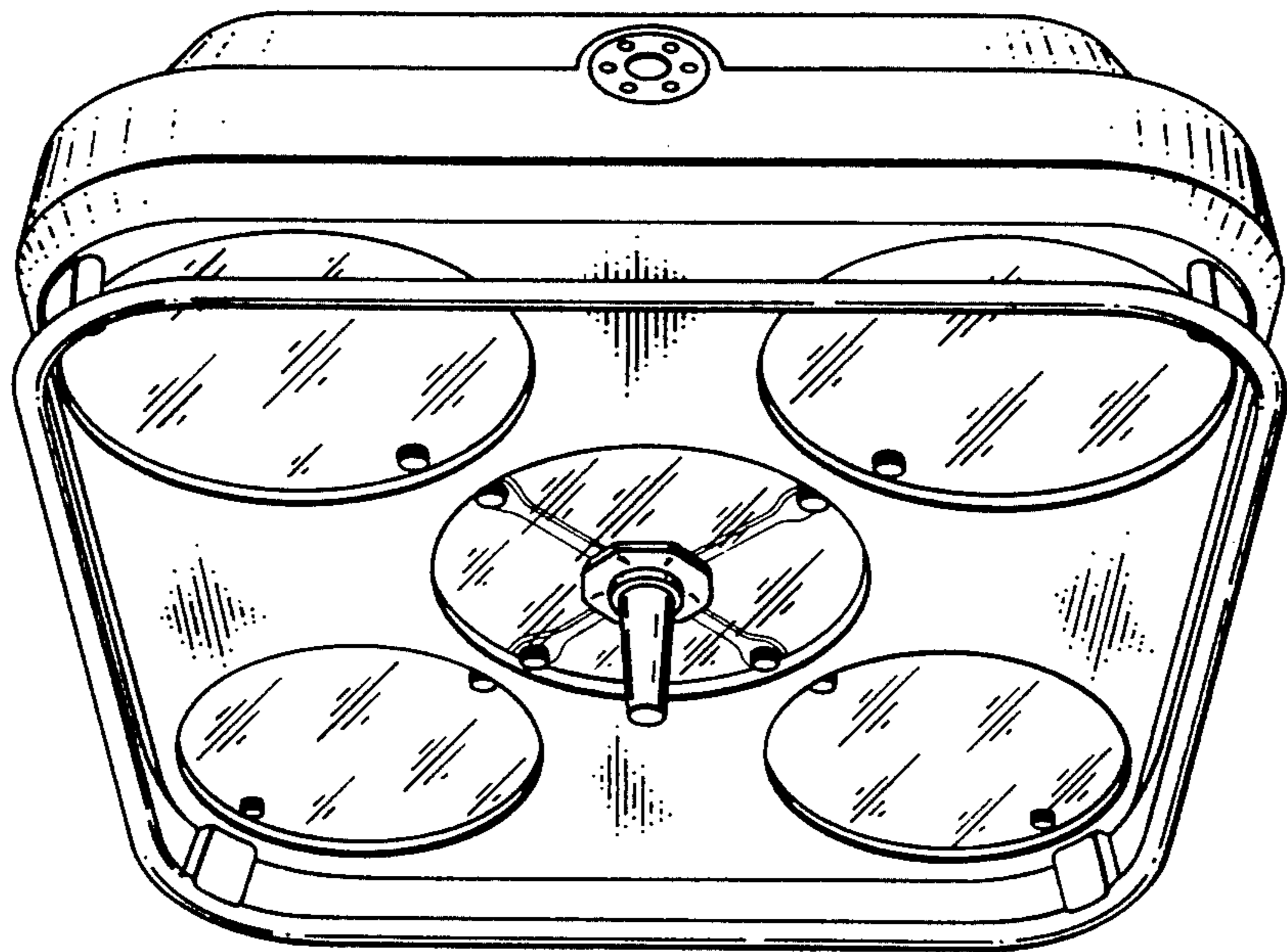


FIG. 1

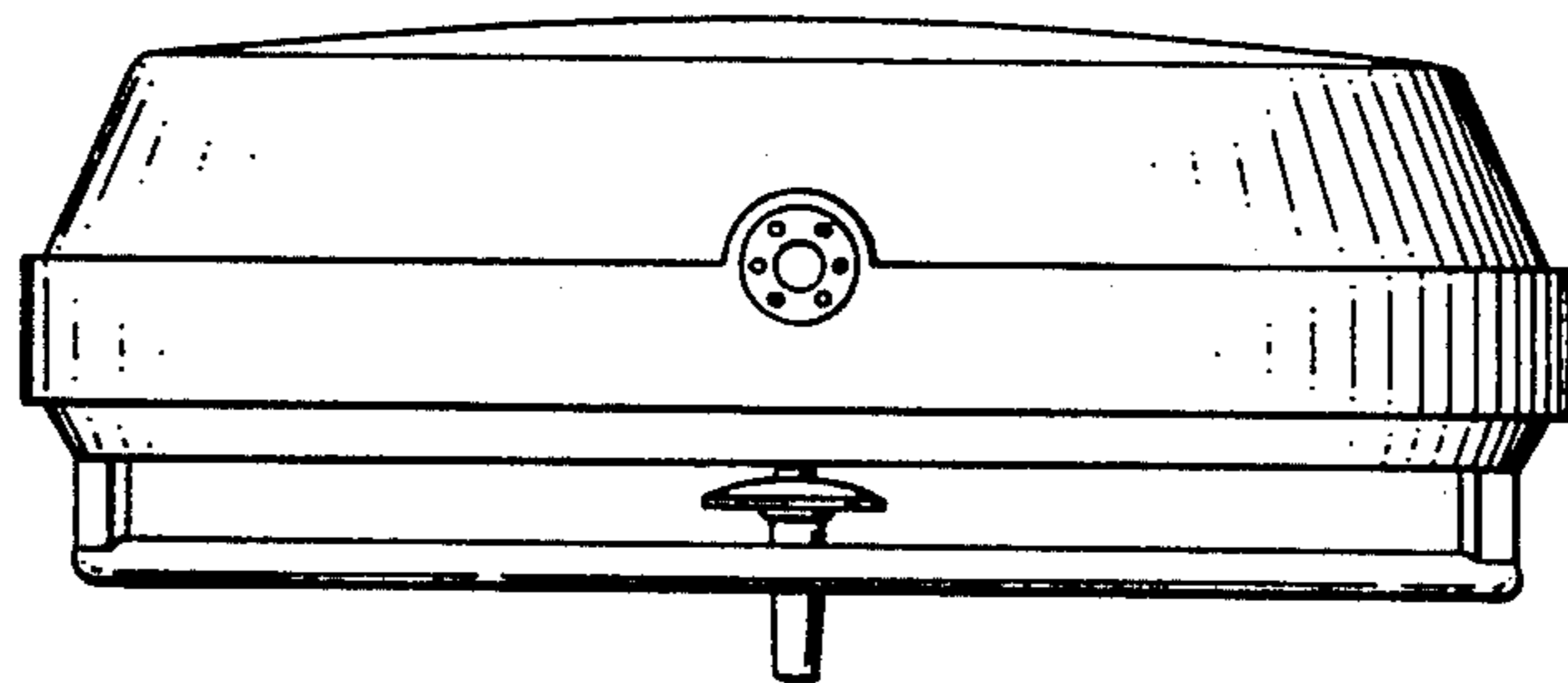


FIG. 2

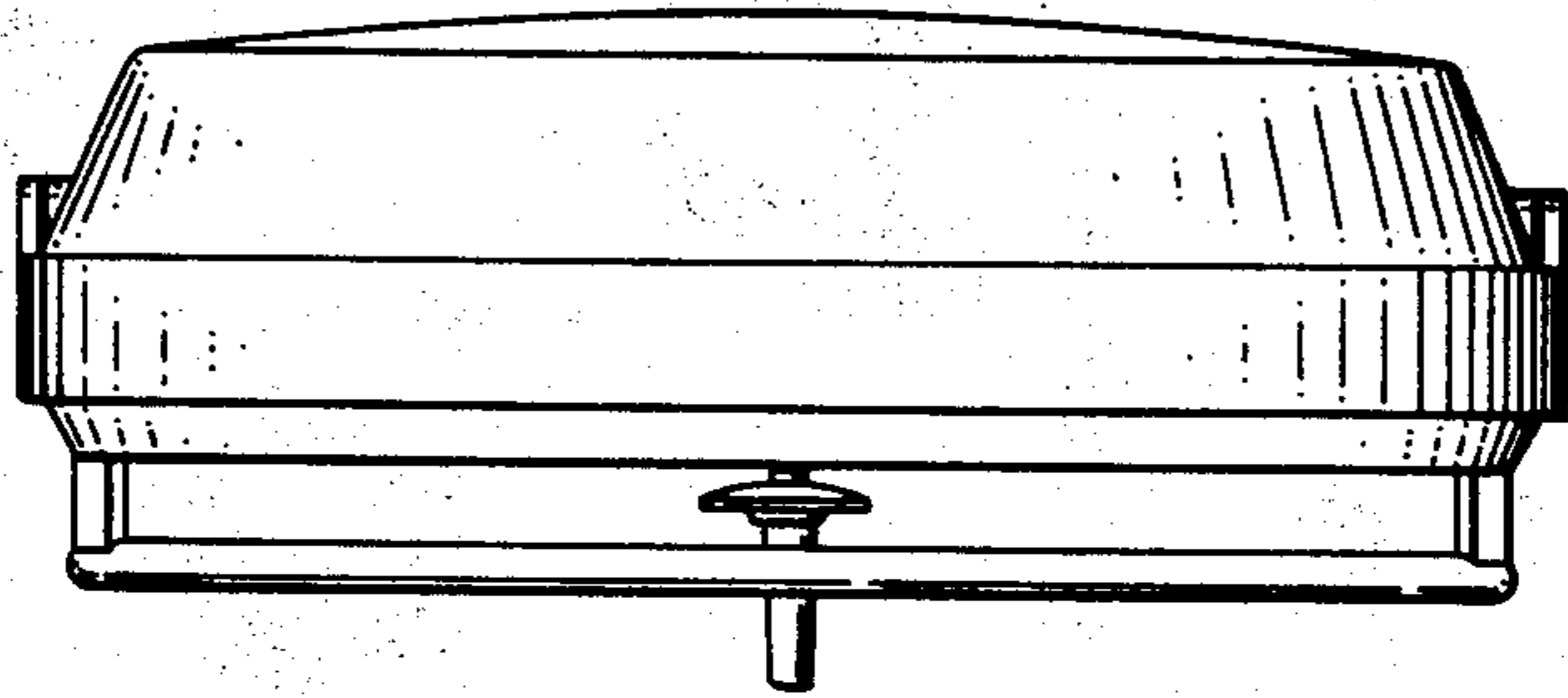


FIG. 3

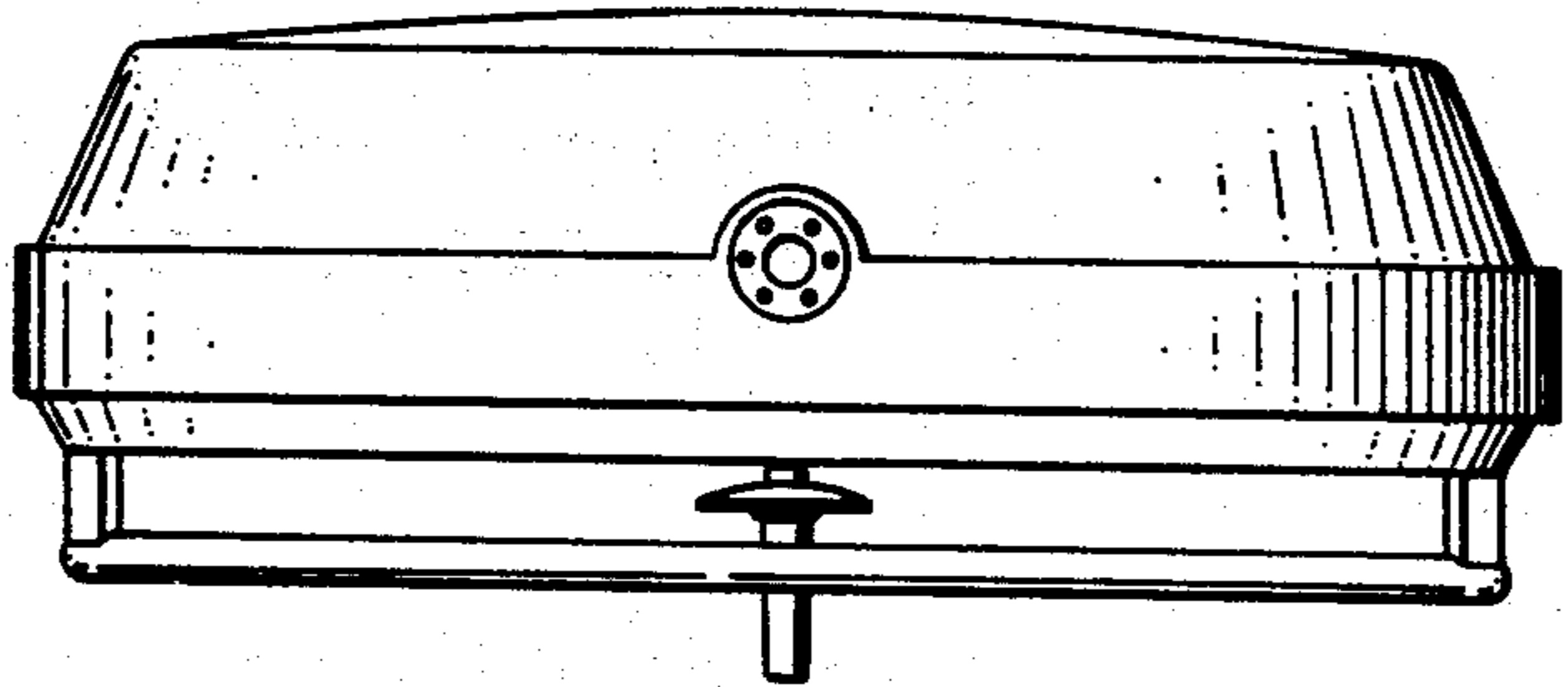


FIG. 4

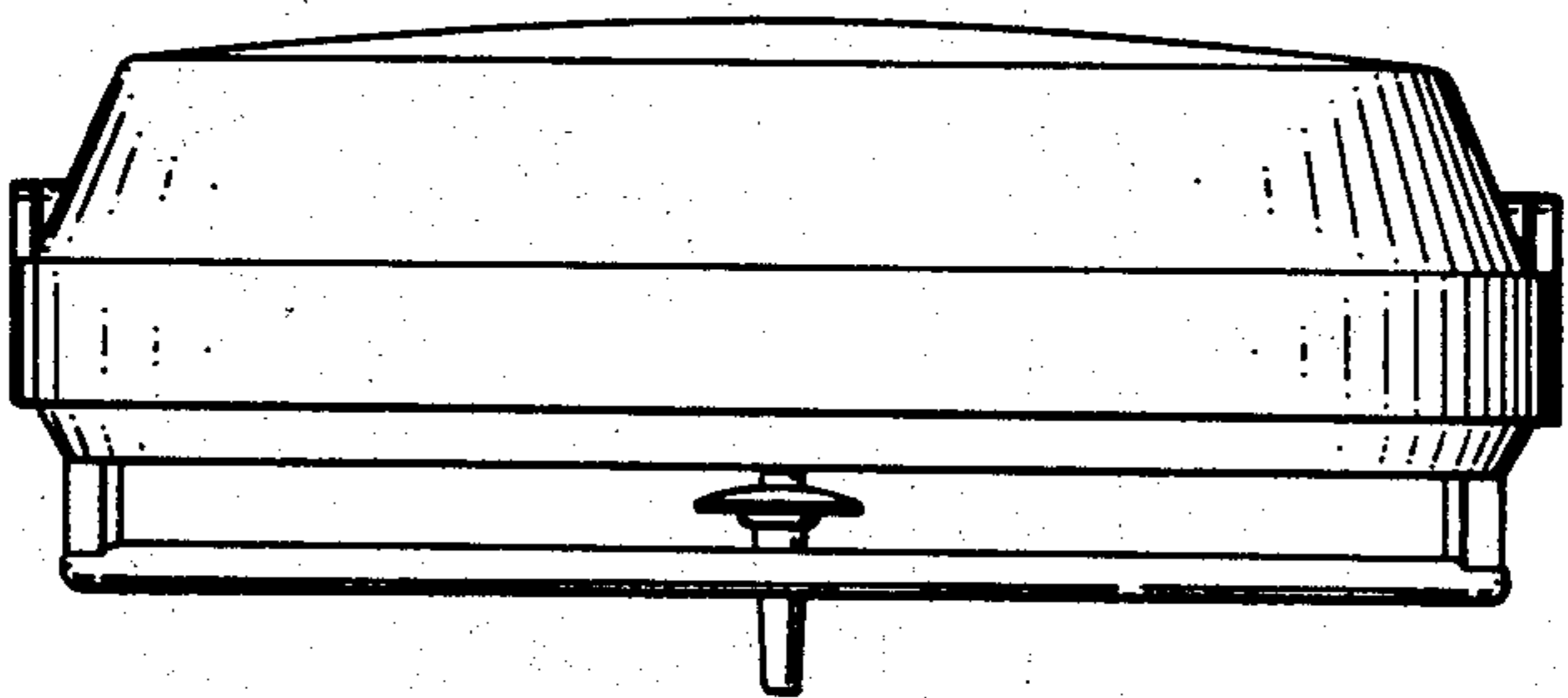


FIG. 5

FIG. 6

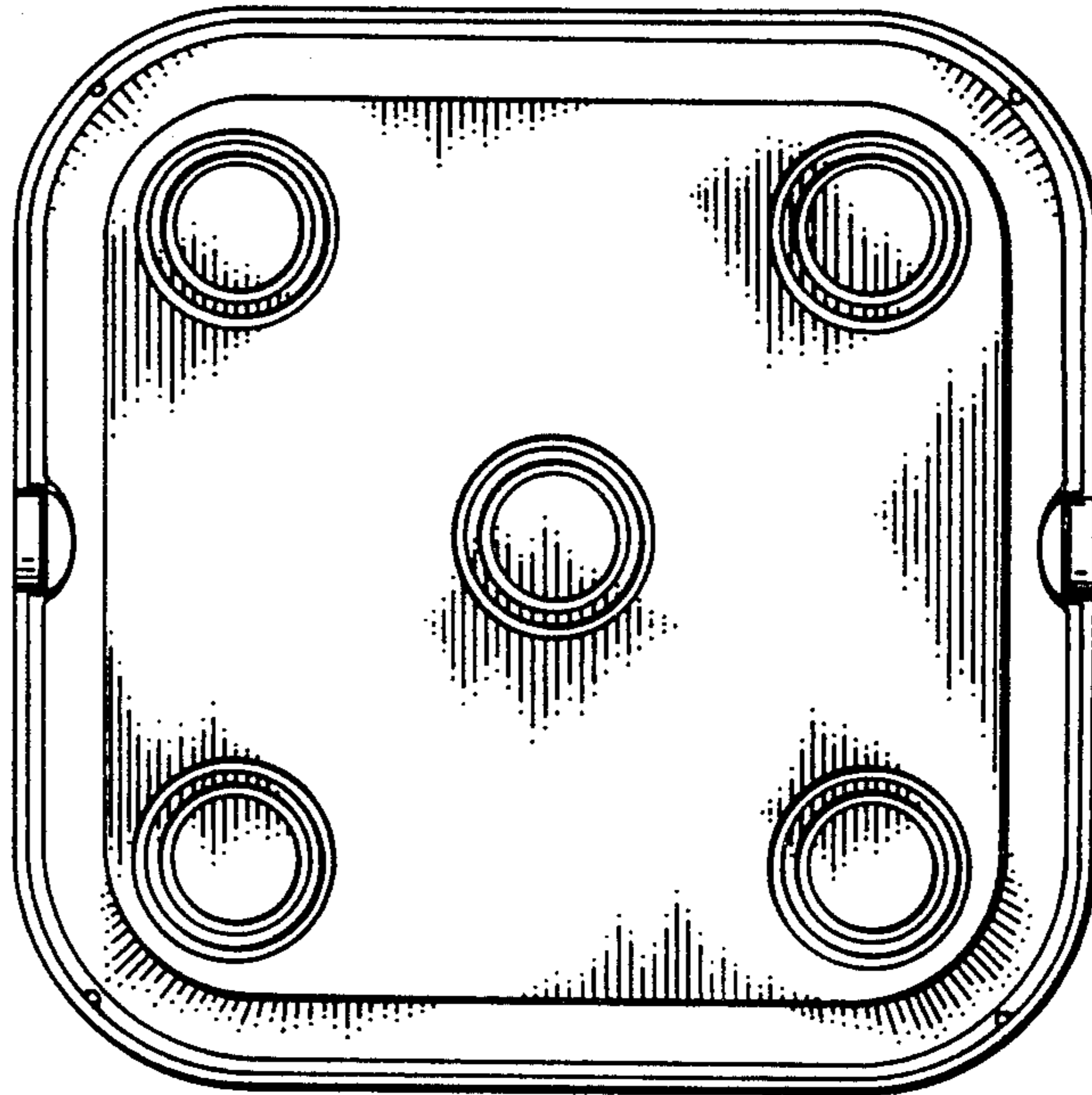


FIG. 7

