

United States Patent [19]

Thorsbakken

[11] Patent Number: **Des. 279,603**

[45] Date of Patent: **** Jul. 9, 1985**

[54] **DENTAL HYGIENE TOOL FOR CLEANING BETWEEN THE TEETH**

[75] Inventor: **Arden L. Thorsbakken, Hudson, Wis.**

[73] Assignee: **Ardent Inc., Hudson, Wis.**

[**] Term: **14 Years**

[21] Appl. No.: **445,958**

[22] Filed: **Dec. 1, 1982**

[52] U.S. Cl. **D24/10**

[58] Field of Search **D24/10, 28, 19, 11, D24/16; 132/83, 88, 89; 433/25, 3; D28/64**

[56] **References Cited**

U.S. PATENT DOCUMENTS

- D. 24,691 9/1895 McChesney D28/64
- D. 221,079 7/1971 Muhler D28/64
- 710,498 10/1902 McClain 132/89

2,008,206 3/1934 Grant 132/89
3,590,814 7/1971 Bennett et al. 132/89 X

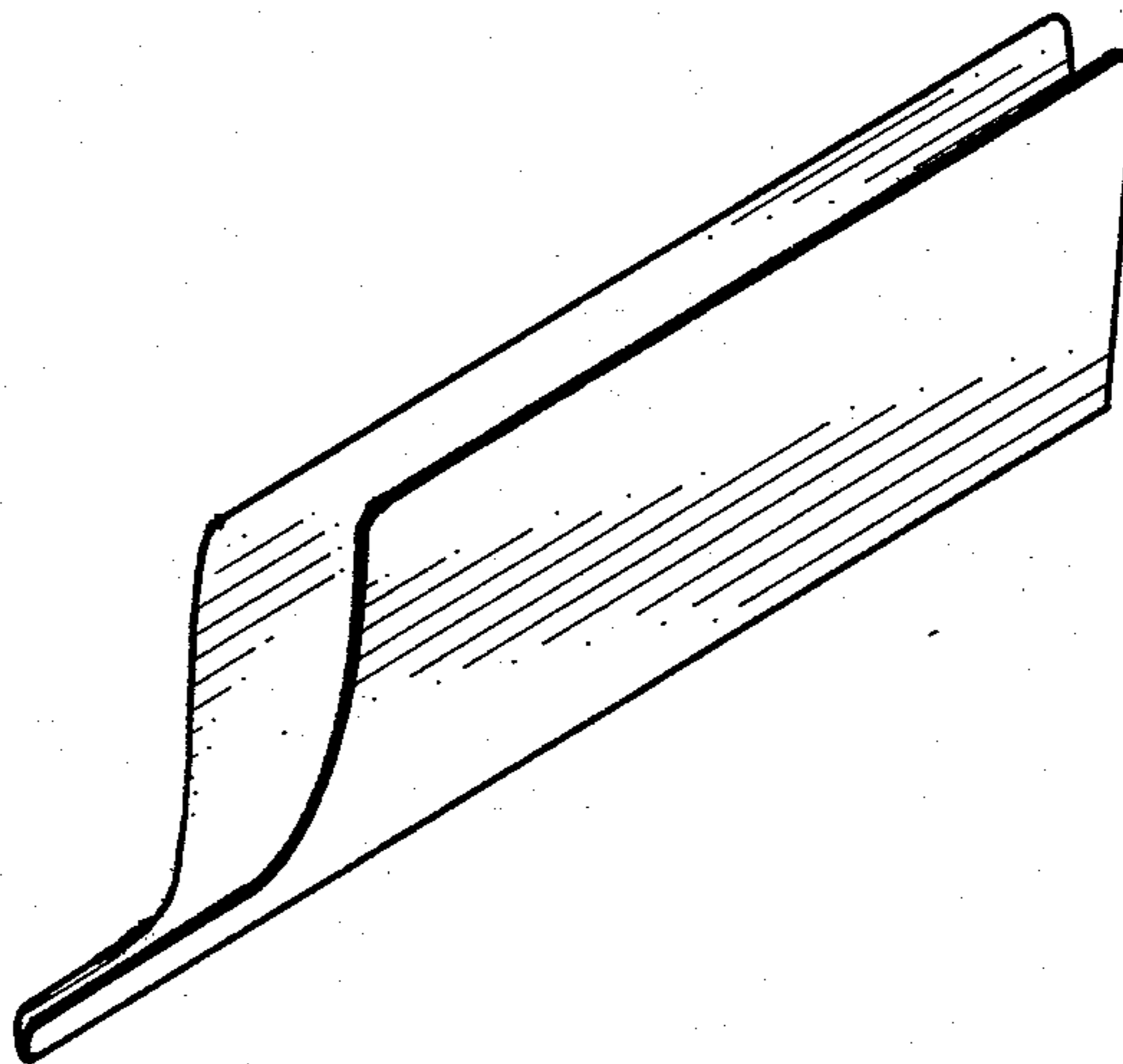
Primary Examiner—A. Hugo Word
Assistant Examiner—R. C. Anderson
Attorney, Agent, or Firm—Kinney & Lange

[57] **CLAIM**

The ornamental design for a dental hygiene tool for cleaning between the teeth, substantially as shown.

DESCRIPTION

FIG. 1 is a perspective view of a dental hygiene tool for cleaning between the teeth embodying my new design; FIG. 2 is a first side view thereof; FIG. 3 is a rear end view thereof; FIG. 4 is a bottom view thereof; FIG. 5 is a second side view thereof; FIG. 6 is a front view thereof; and FIG. 7 is a top view thereof.



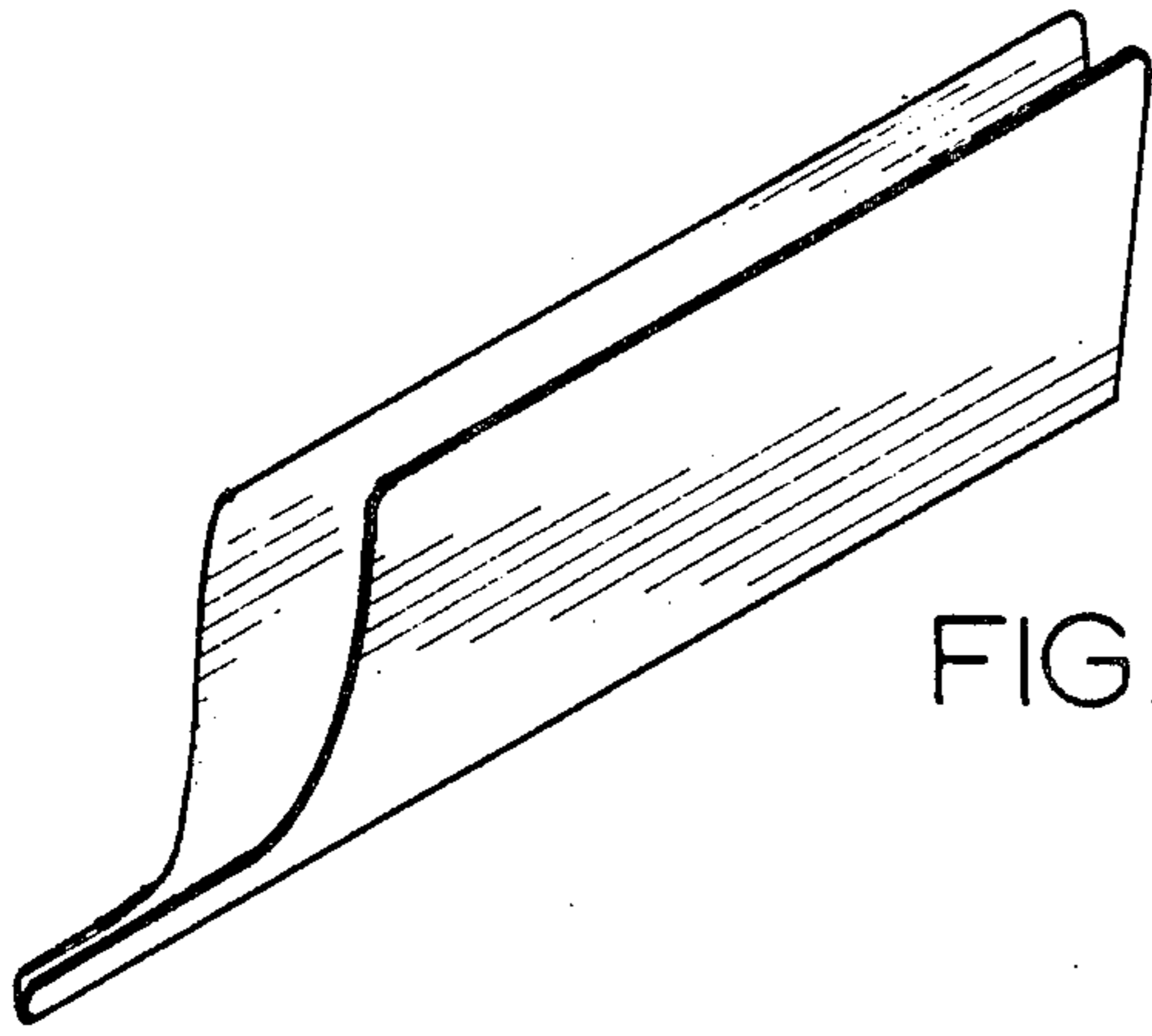


FIG. 1

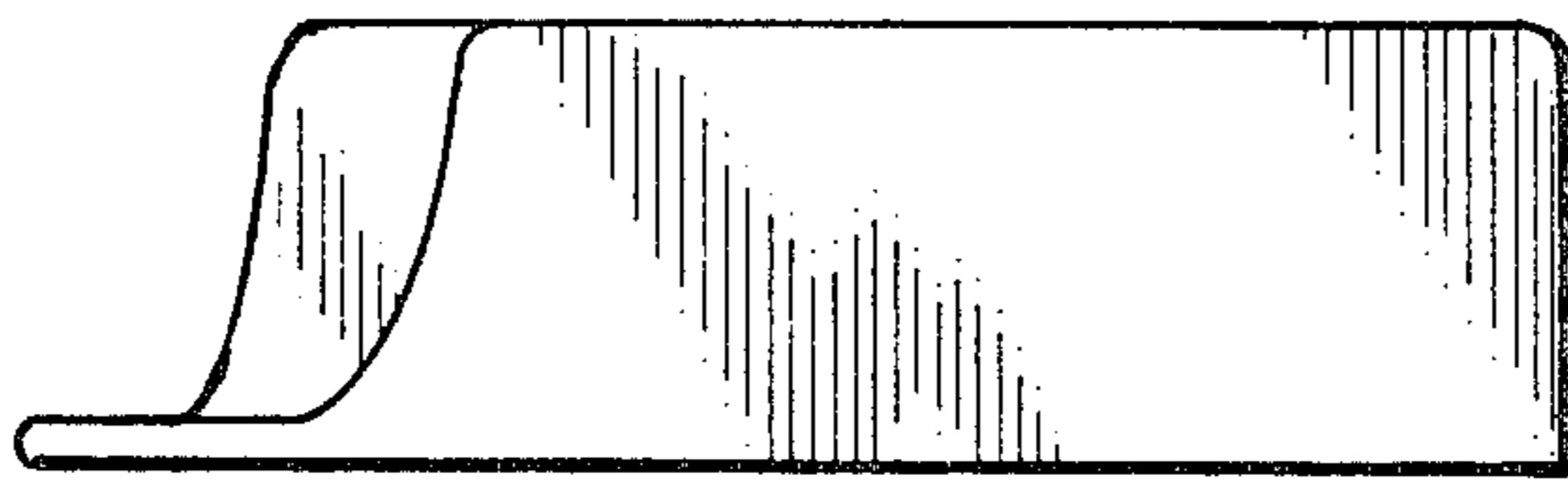


FIG. 2

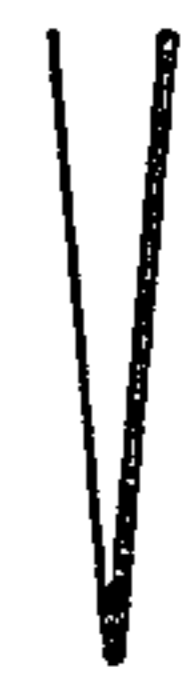


FIG. 3

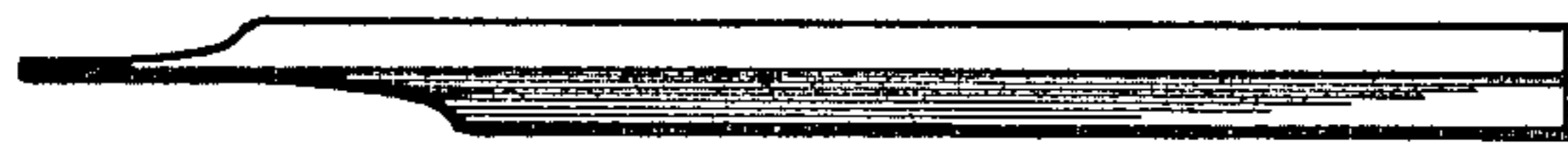


FIG. 4

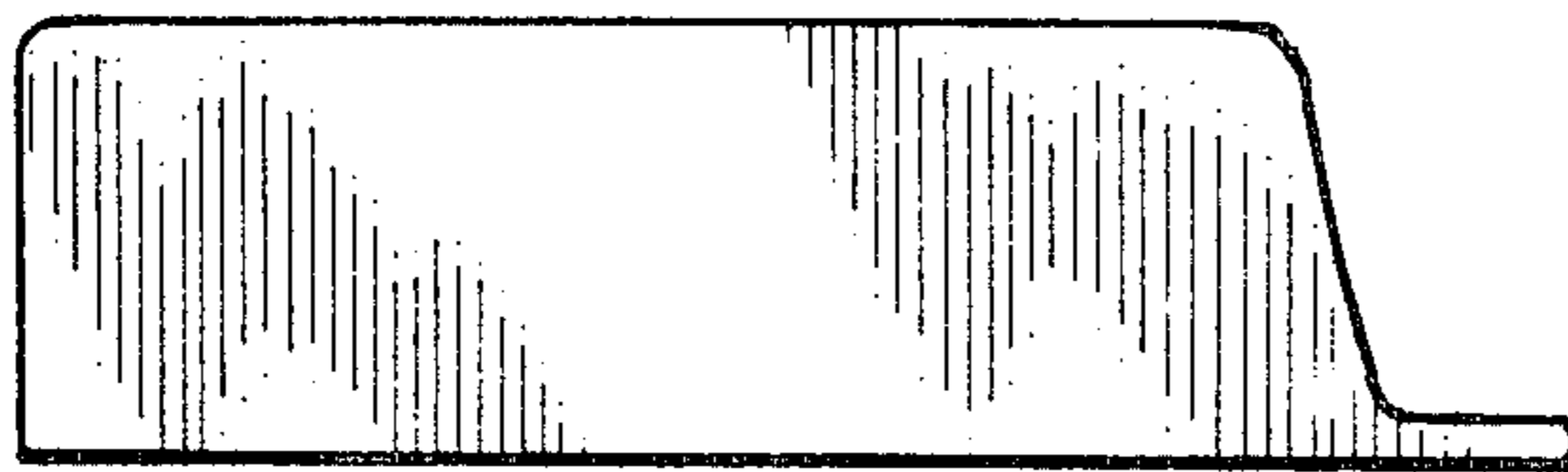


FIG. 5



FIG. 6



FIG. 7