

[54] AIR VENT

[76] Inventor: John M. Sexton, 424 N. Meridian, Belle Plaine, Minn. 56011

[**] Term: 14 Years

[21] Appl. No.: 414,562

[22] Filed: Sep. 2, 1982

[52] U.S. Cl. D23/112

[58] Field of Search D23/112-115; 98/101, 114, 121 R

[56] References Cited

U.S. PATENT DOCUMENTS

1,652,330 12/1927 Schwartzberg 98/121 R
4,274,330 6/1981 Witten et al. 98/114 X

OTHER PUBLICATIONS

Heating and Air Conditioning Contractor, Oct. 1973, p. 30, Registers "A" & B.

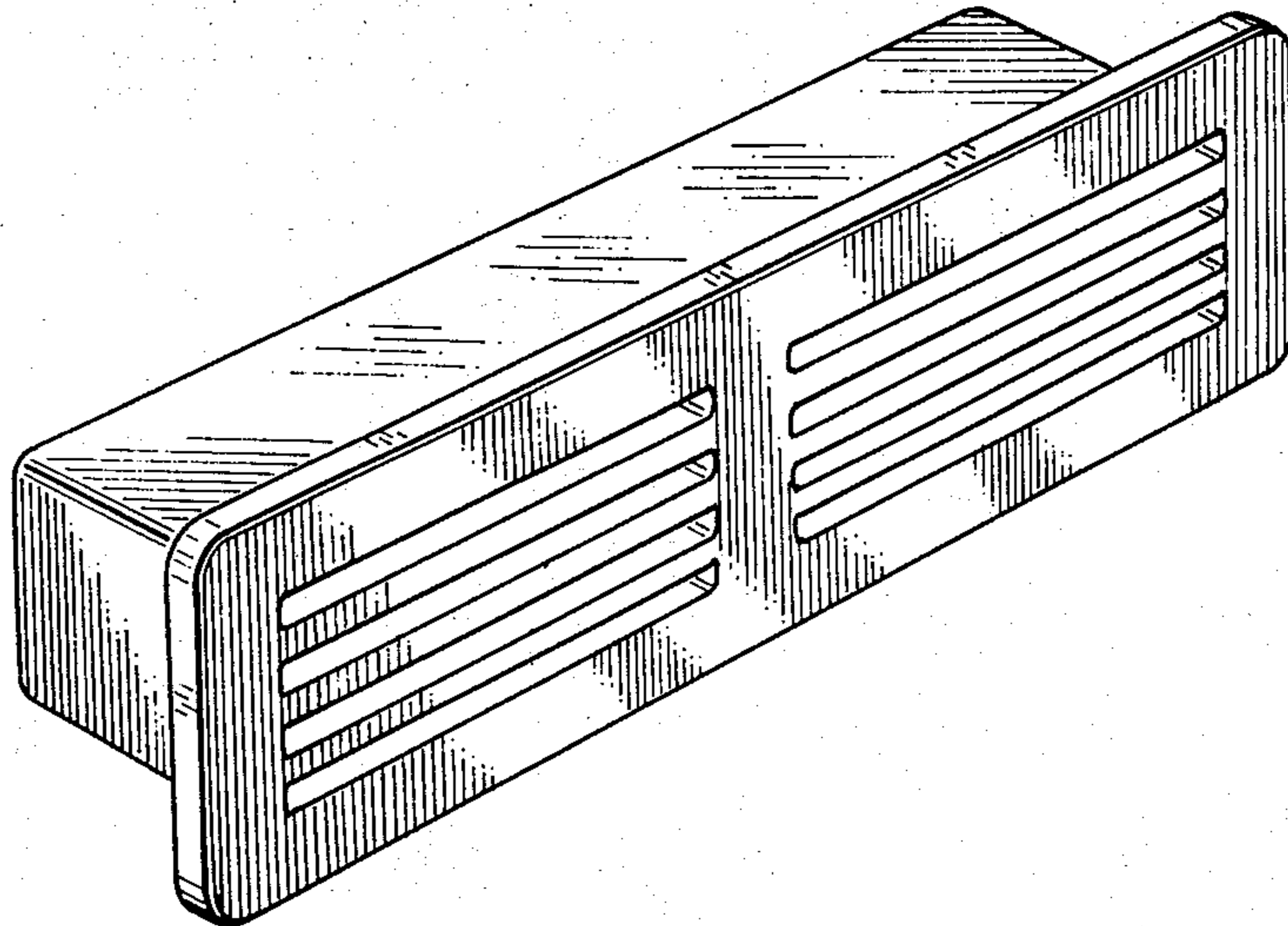
Primary Examiner—Catherine E. Kemper
Attorney, Agent, or Firm—Burd, Bartz & Gutenkauf

[57] CLAIM

The ornamental design for an air vent, as shown and described.

DESCRIPTION

FIG. 1 is a perspective view of an air vent, showing my new design;
FIG. 2 is a front elevational view thereof;
FIG. 3 is a top plan view, the bottom view being a mirror image thereof;
FIG. 4 is a right end elevational view, the left end being a mirror image thereof;
FIG. 5 is a rear elevational view thereof;
FIG. 6 is a sectional view taken along line 6—6 of FIG. 2 and shown on an enlarged scale.



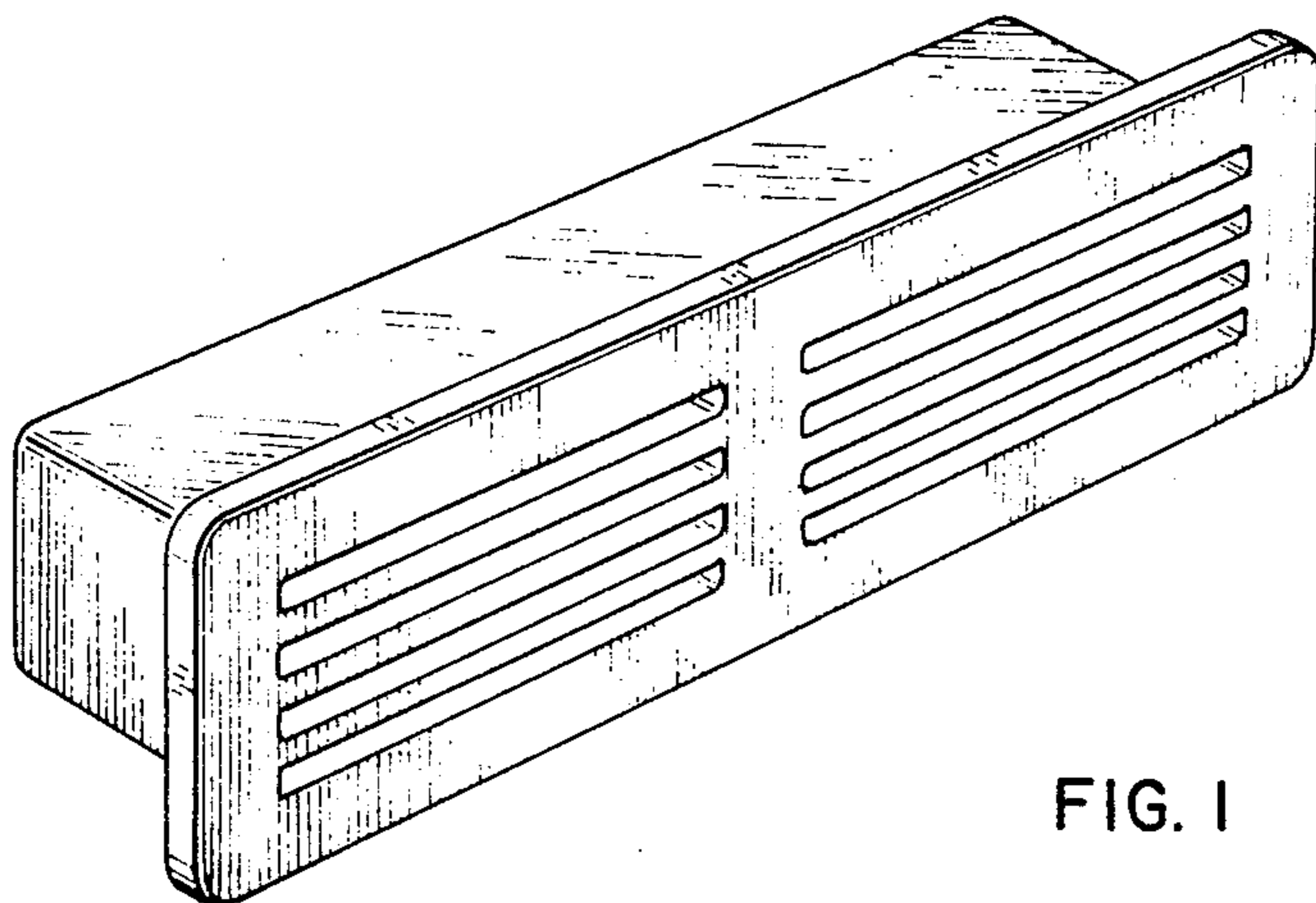


FIG. 1

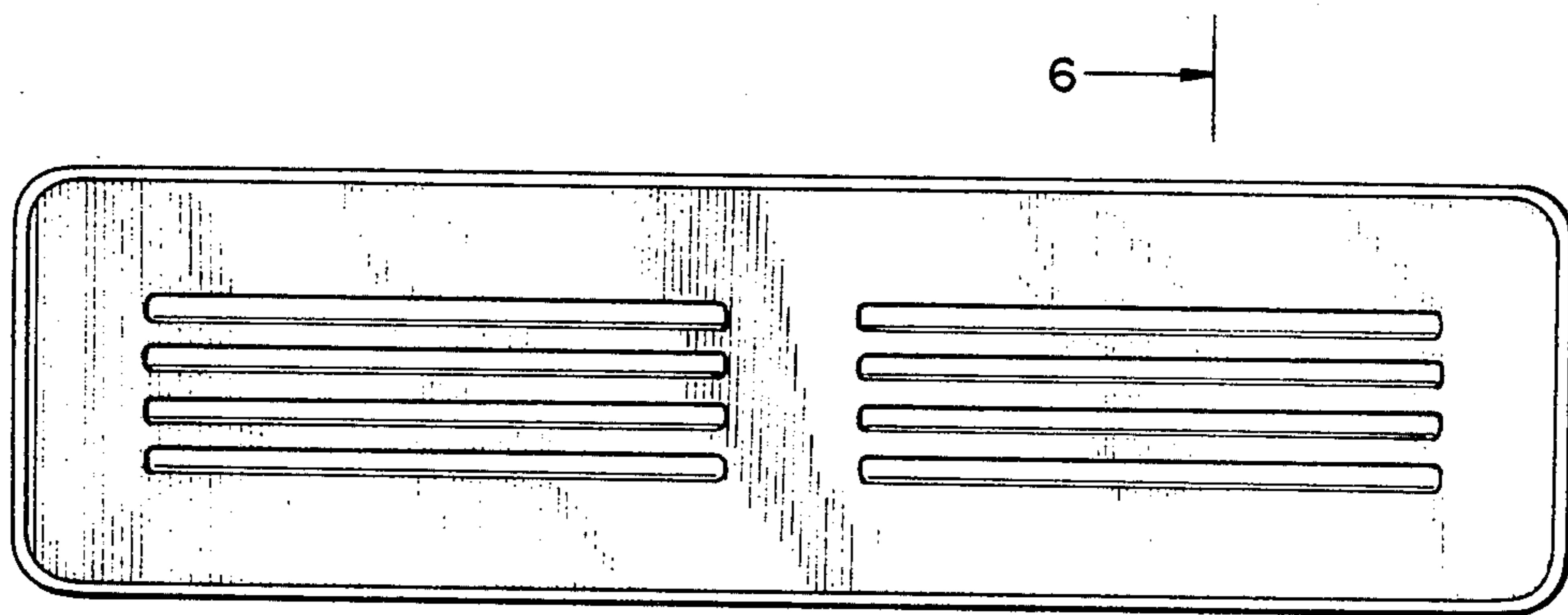


FIG. 2

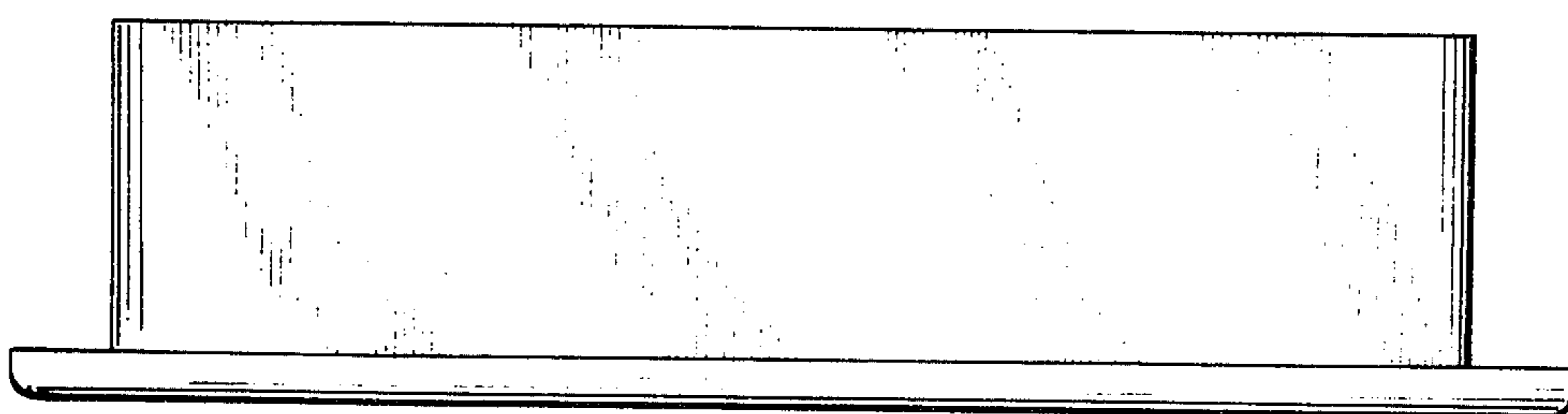


FIG. 3

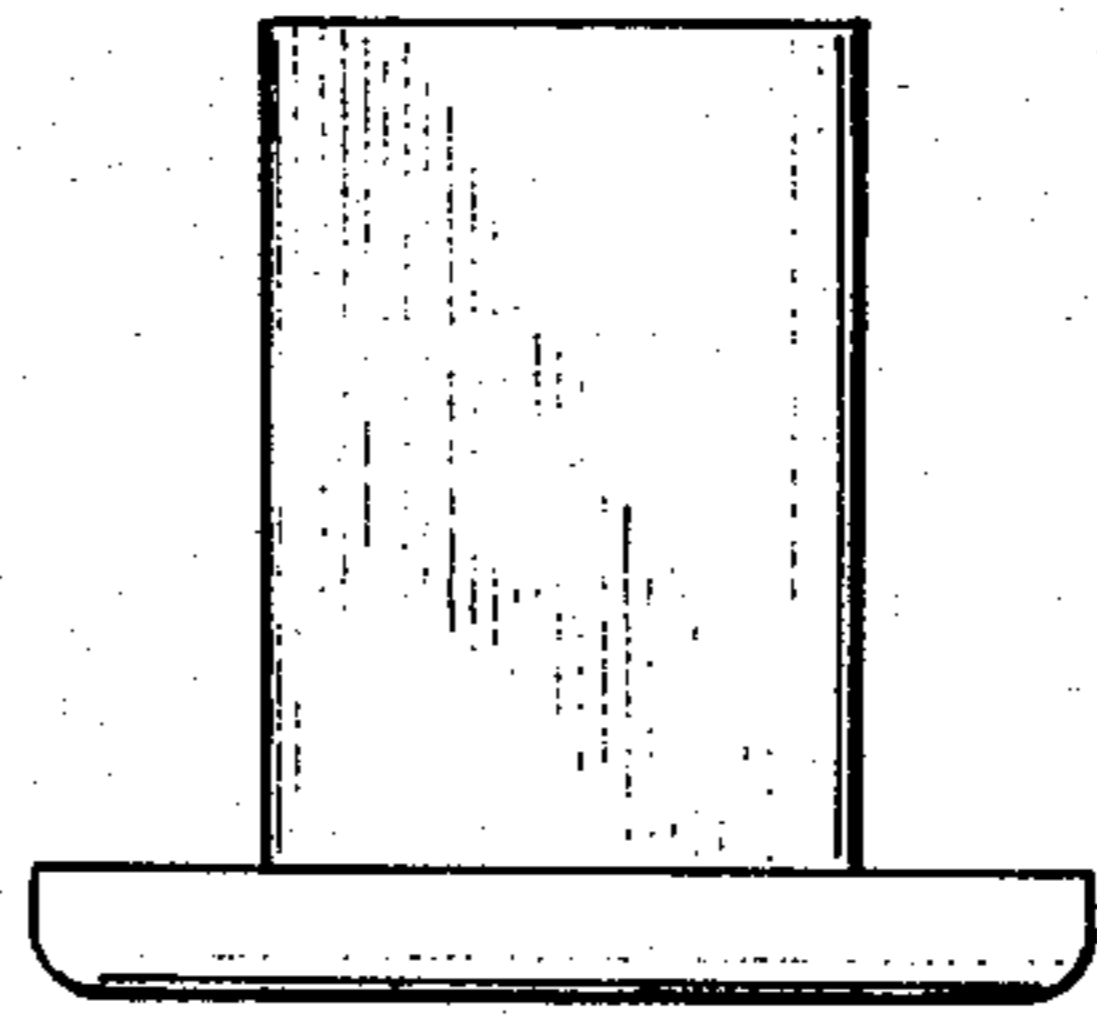


FIG. 4

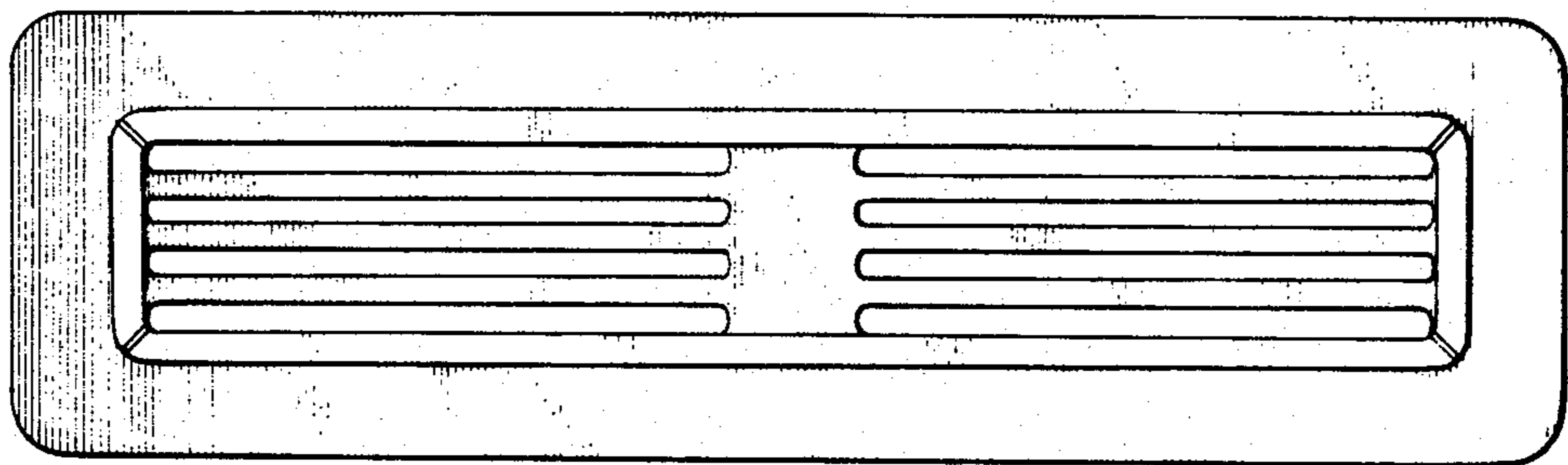


FIG. 5

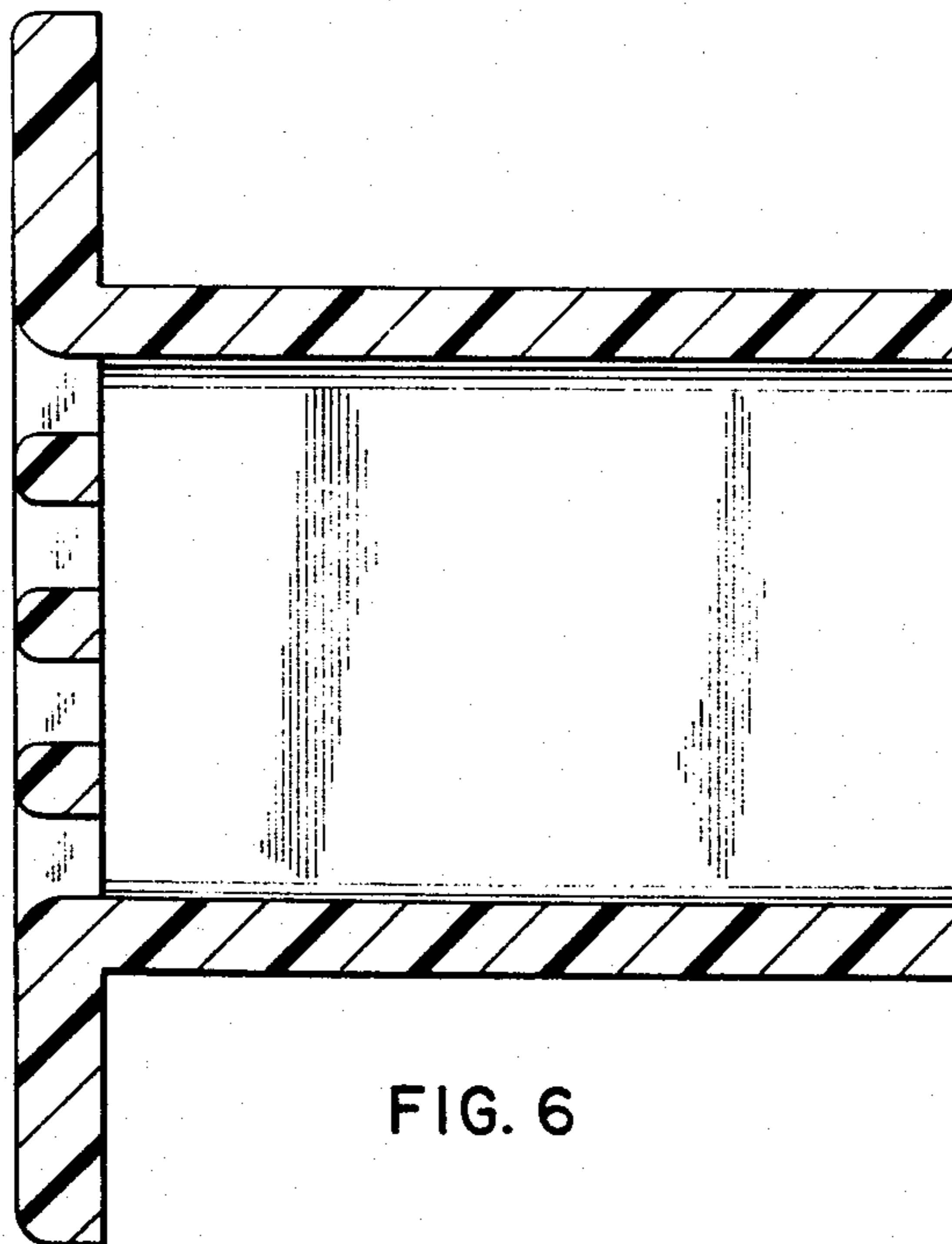


FIG. 6