

[54] **TOY DELIVERY TRUCK**

[75] **Inventor: Donald E. Marshall, Middlesex Boro, N.J.**

[73] **Assignee: Container Corporation of America, Chicago, Ill.**

[**] **Term: 14 Years**

[21] **Appl. No.: 434,882**

[22] **Filed: Oct. 18, 1982**

[52] **U.S. Cl. D21/78; D21/115; D21/134**

[58] **Field of Search D21/76, 78, 79, 128, D21/132, 134, 135, 136, 140, 114, 253; D9/308, 425, 430, 433; 280/87.01, 87.02 R; 446/71, 73, 76, 80**

[56] **References Cited**

U.S. PATENT DOCUMENTS

D. 74,522 2/1928 Rozowsky D9/308
D. 187,659 4/1960 Collinger et al. D21/114

D. 220,198 3/1971 Clauser D9/208
D. 256,670 9/1980 Fish D9/308
1,932,368 10/1933 Bowman D21/134
2,998,979 9/1961 Sandell D21/78

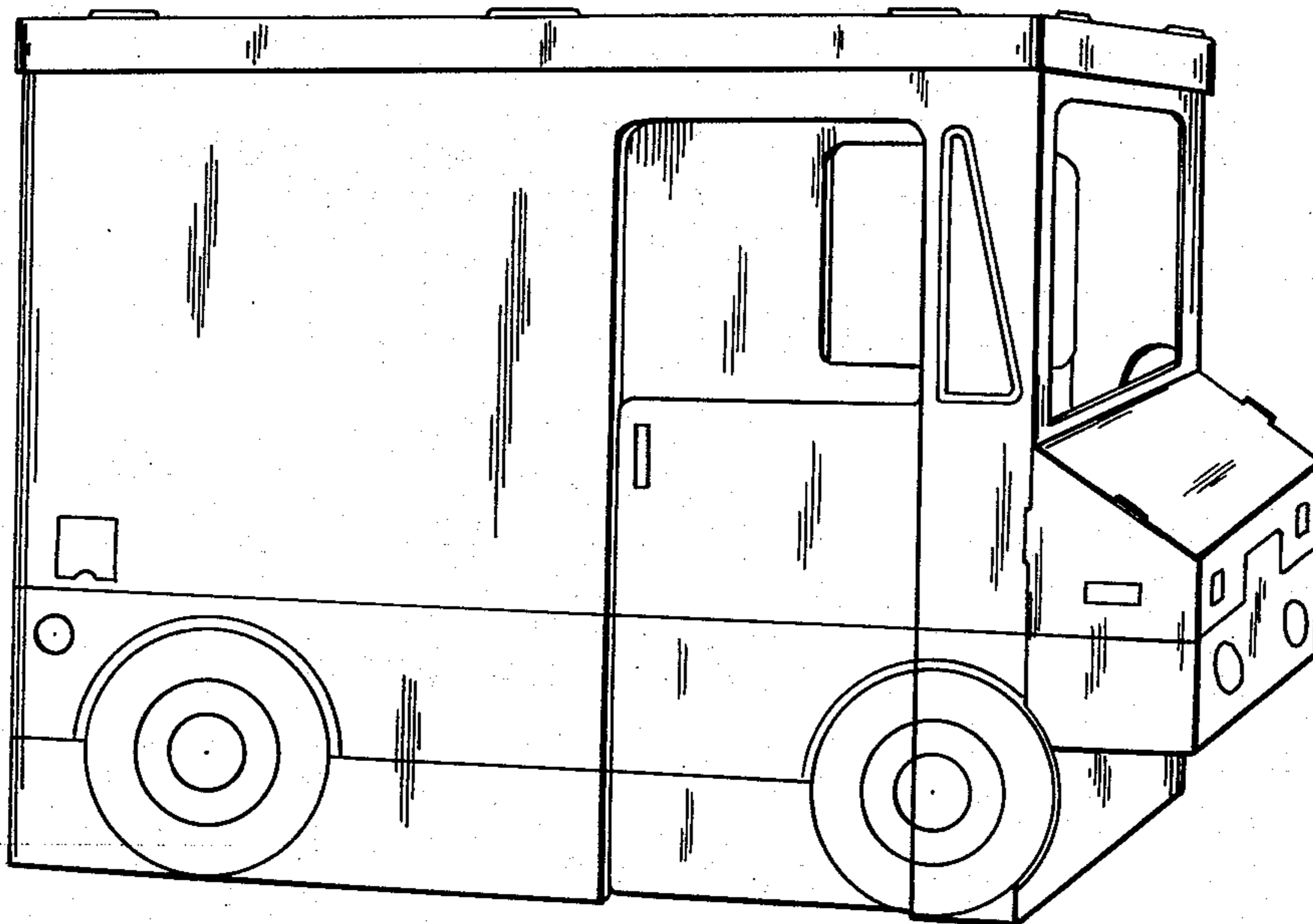
Primary Examiner—Charles A. Rademaker
Attorney, Agent, or Firm—Richard W. Carpenter

[57] **CLAIM**

The ornamental design for a toy delivery truck, as shown and described.

DESCRIPTION

FIG. 1 is a side elevational view of a toy delivery truck showing my new design;
FIG. 2 is a top plan view of the toy delivery truck shown in FIG. 1;
FIG. 3 is a bottom view thereof;
FIG. 4 is an opposite side elevational view of FIG. 1;
FIG. 5 is a front elevational view thereof taken from the right side of FIG. 1;
FIG. 6 is a rear elevational view thereof taken from the left side of FIG. 1; and
FIG. 7 is a perspective view thereof.



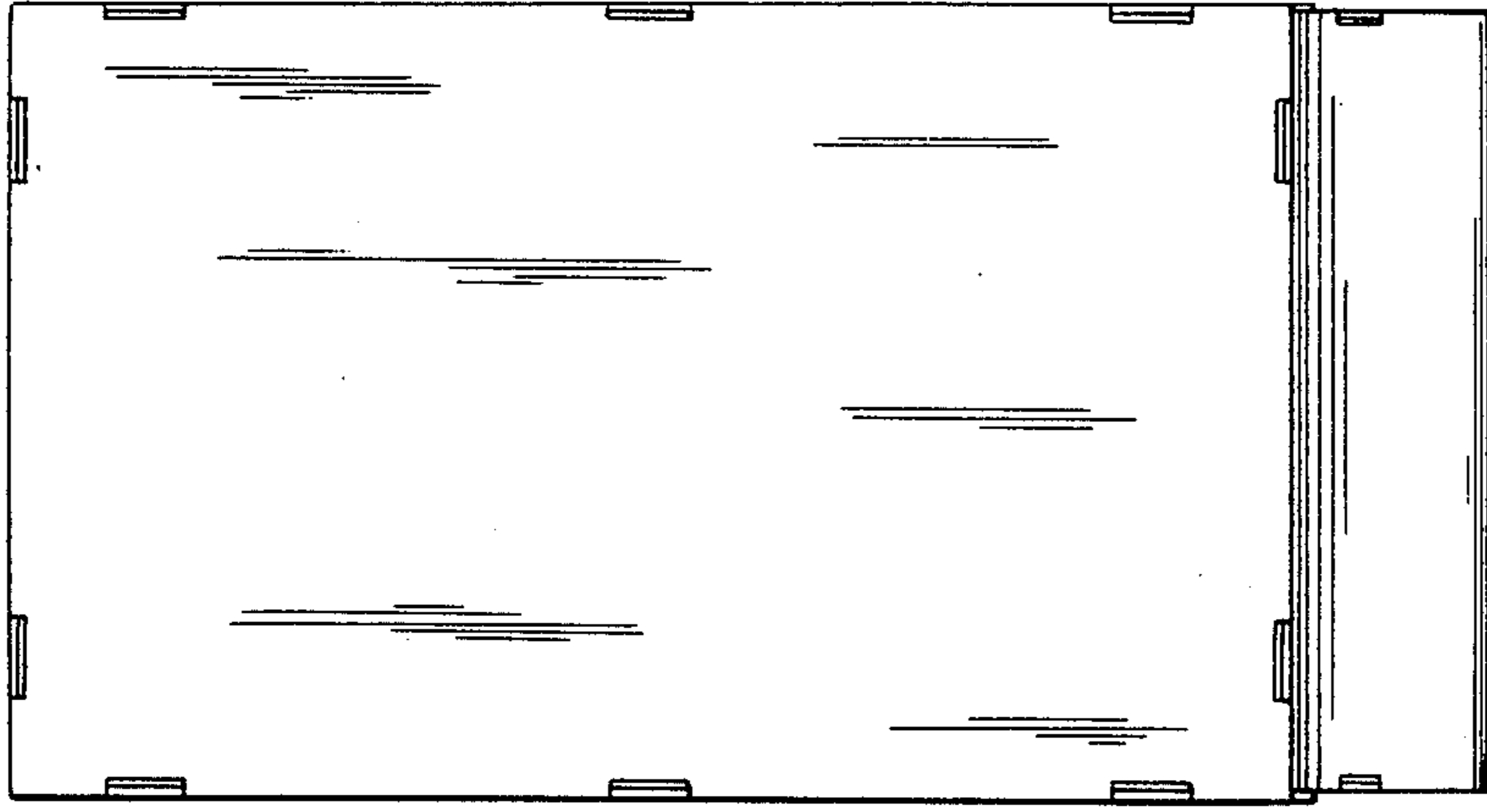


FIG. 2

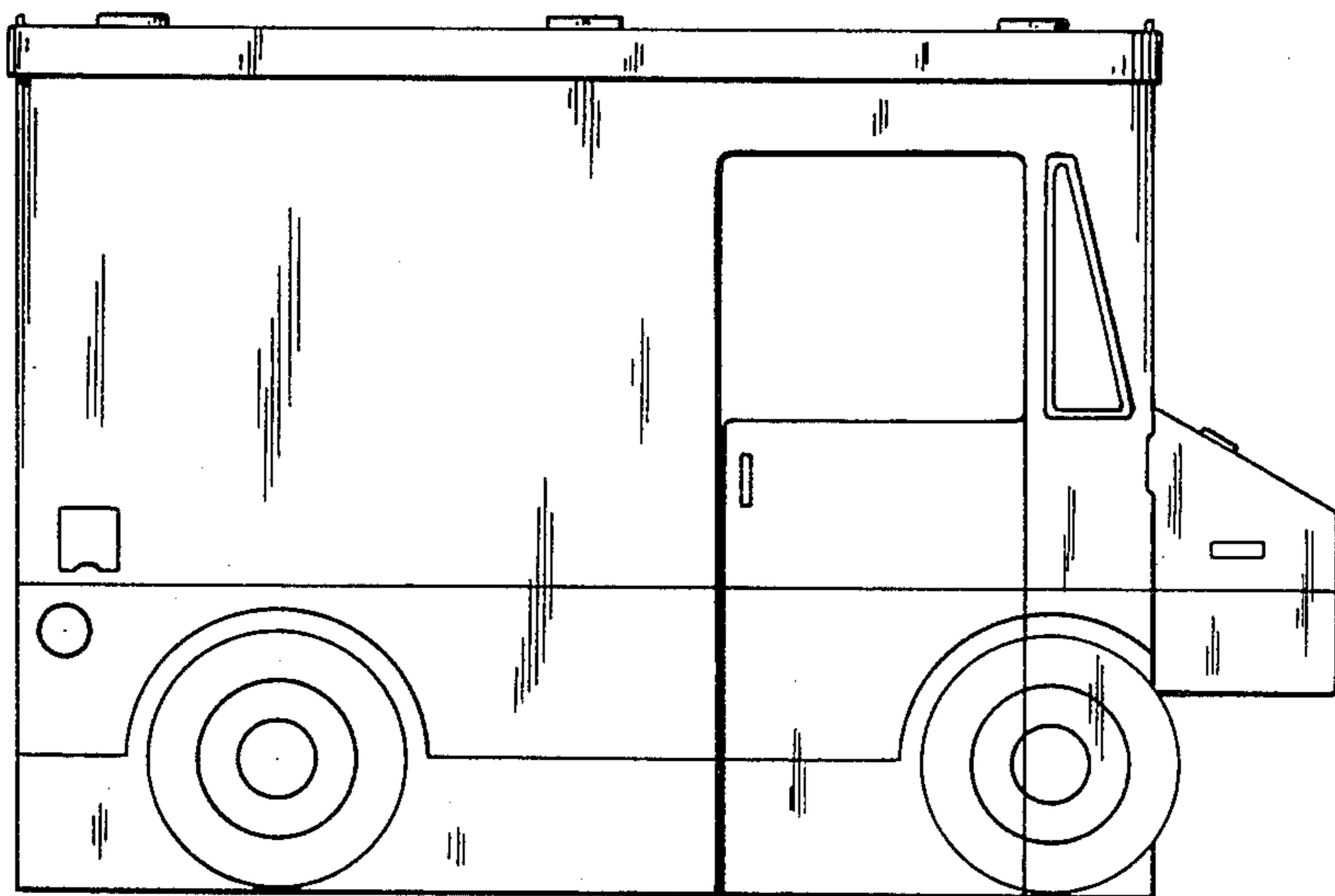


FIG. 1

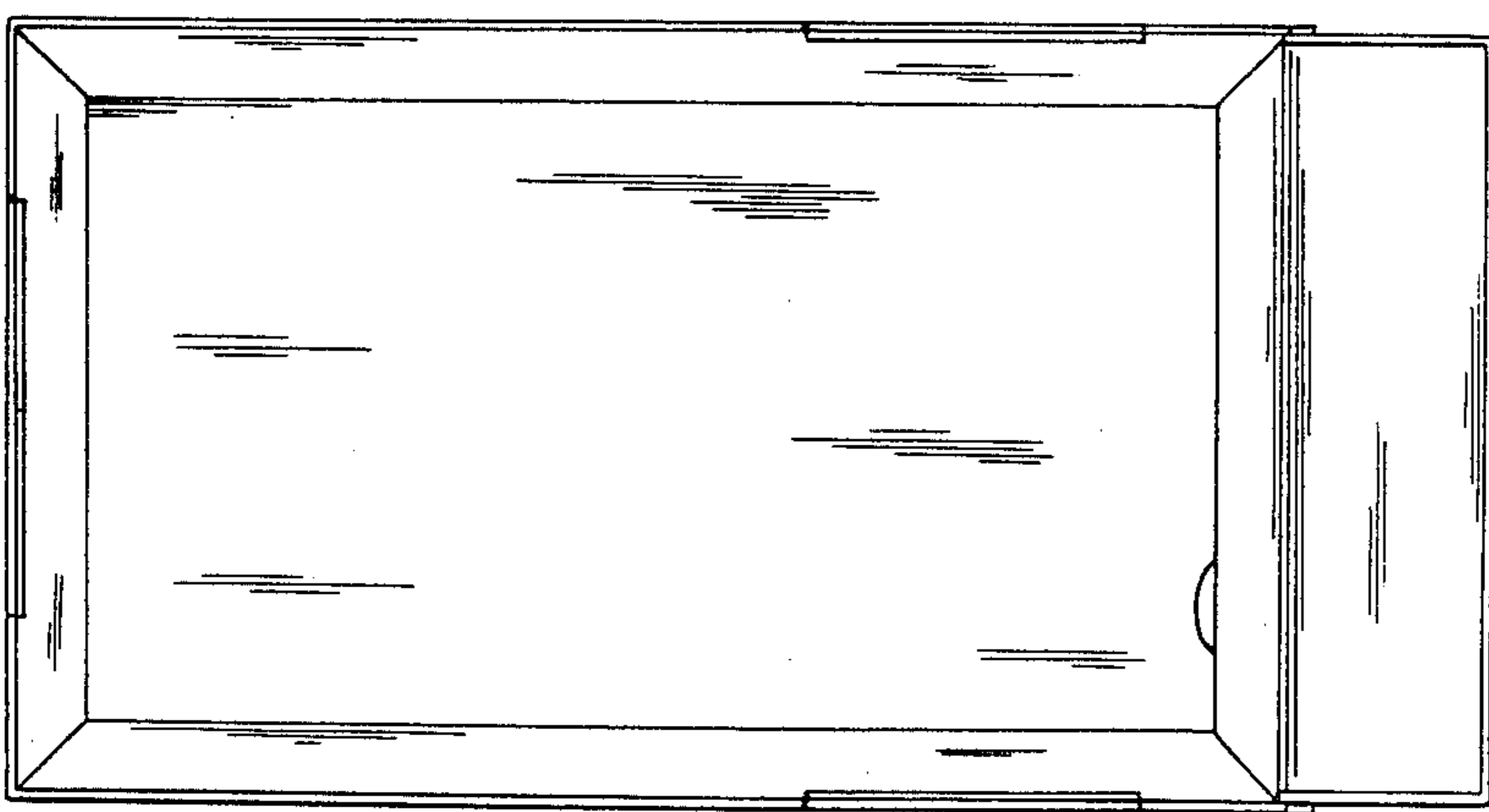


FIG. 3

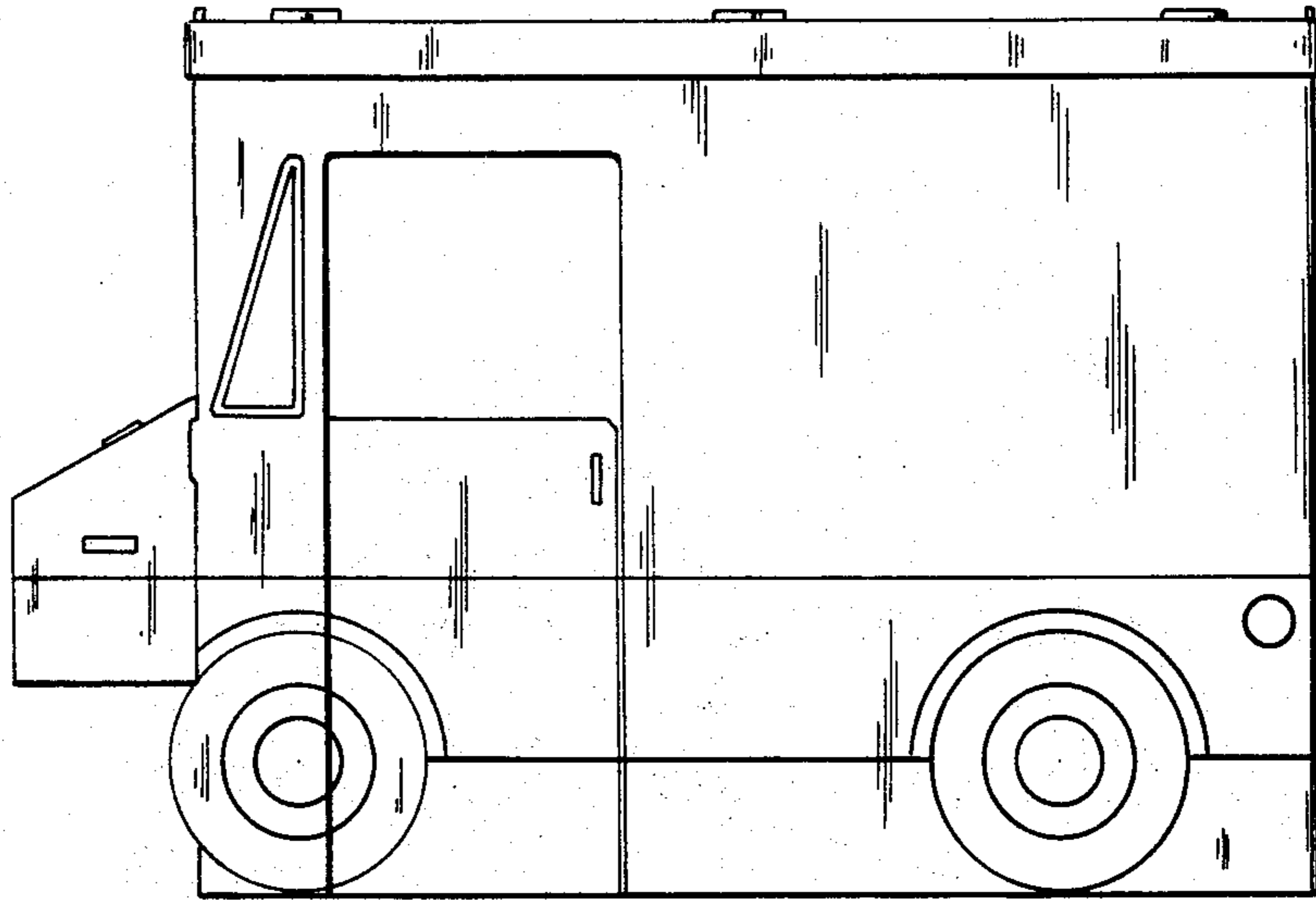


FIG. 4

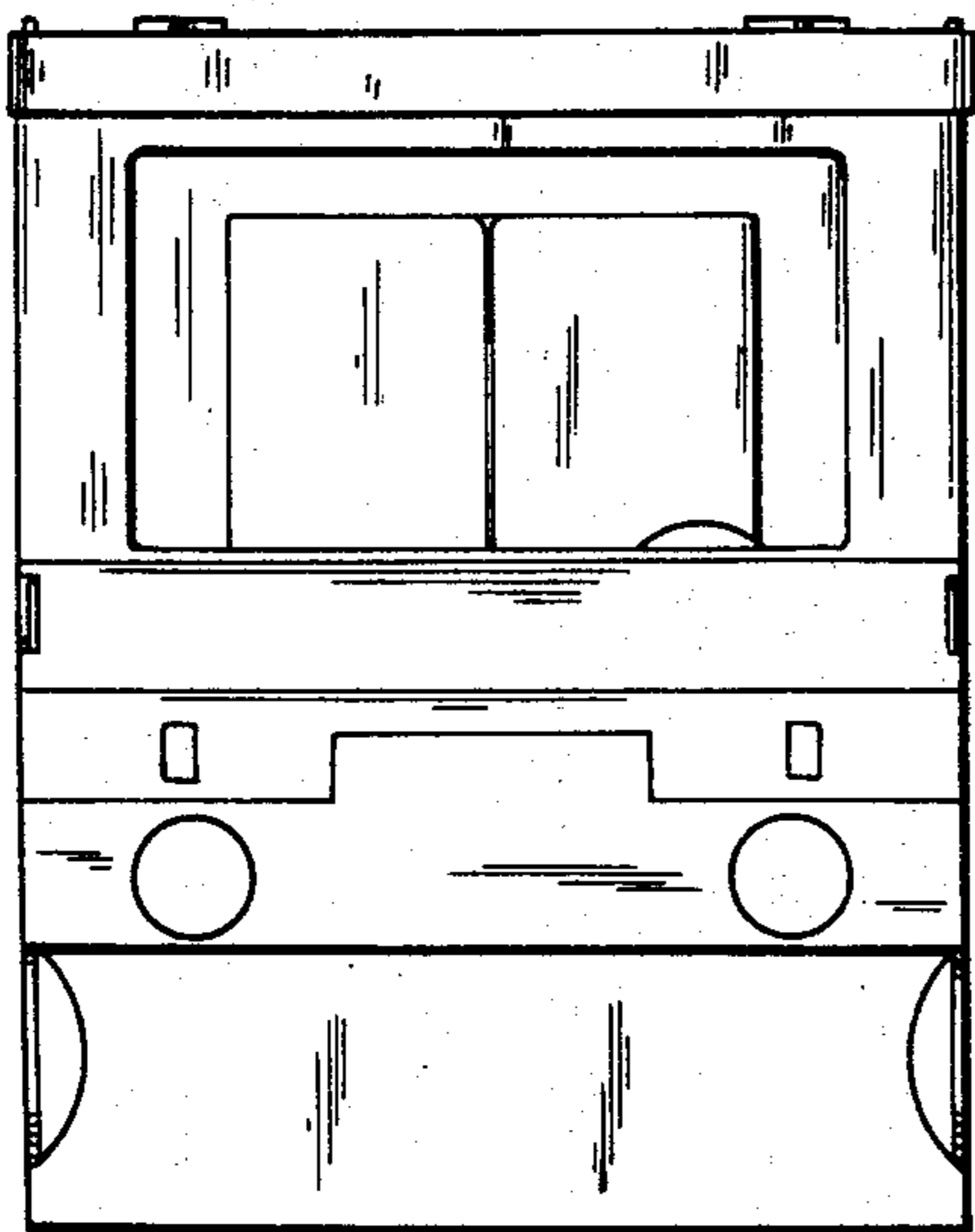


FIG. 5

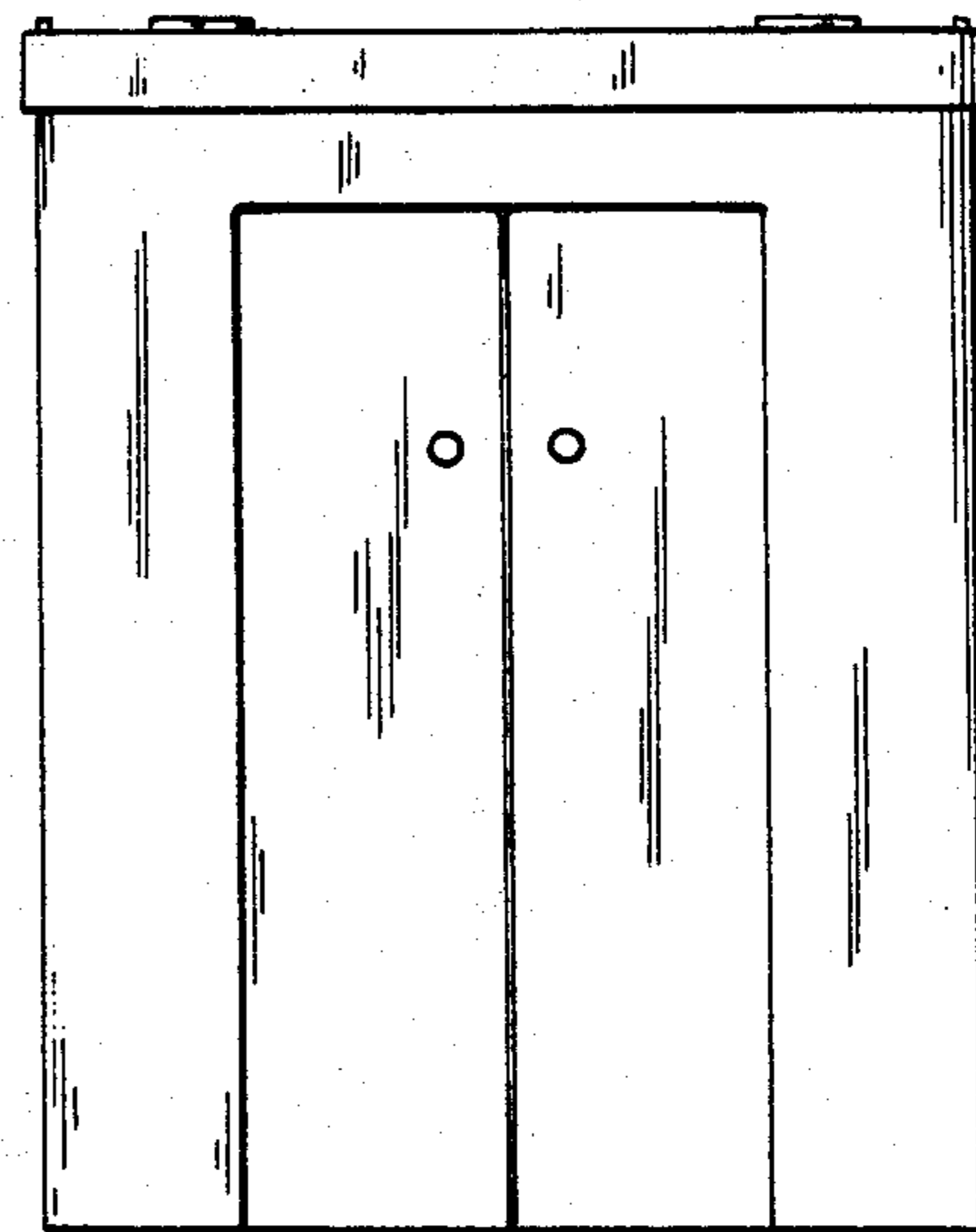


FIG. 6

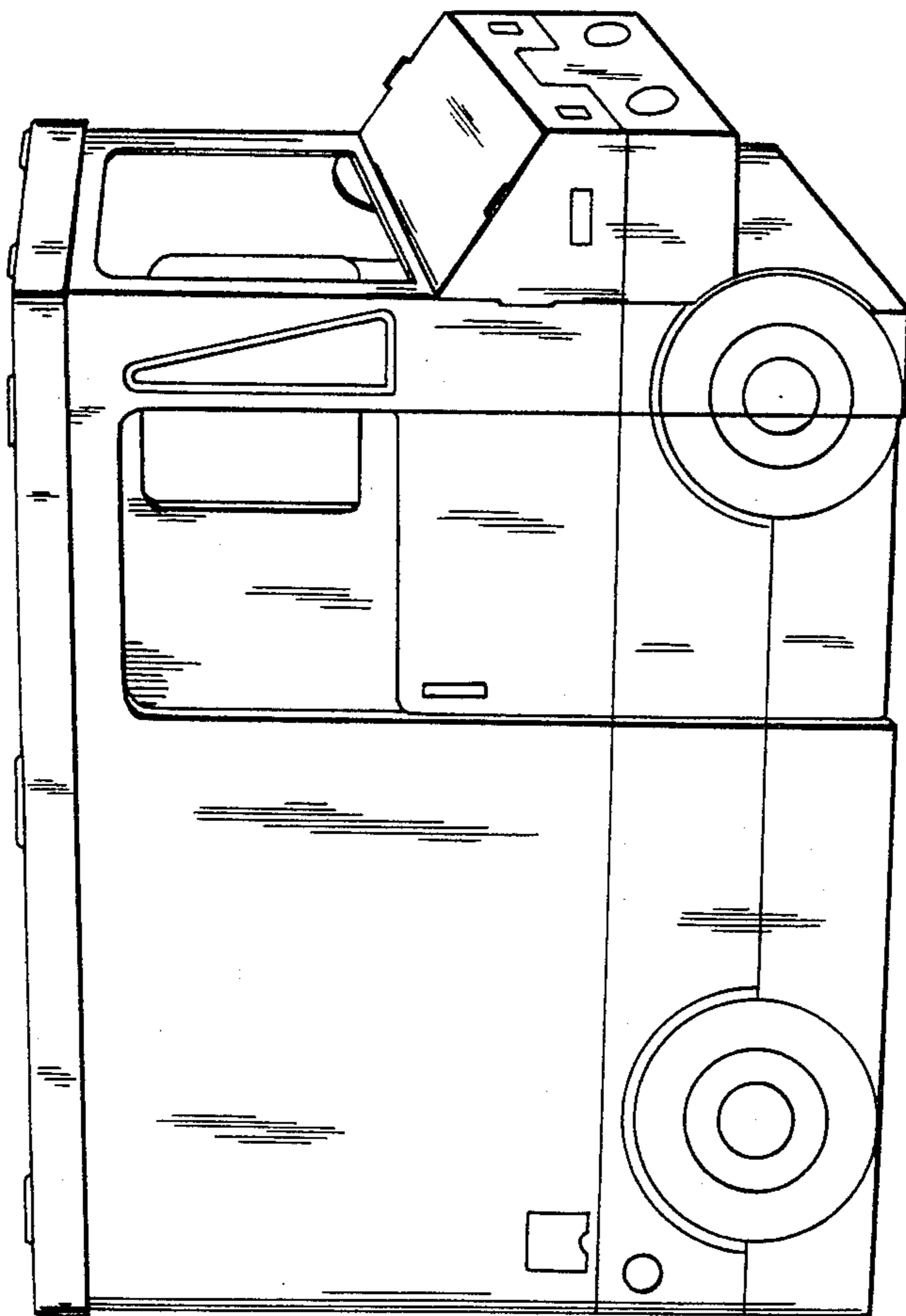


FIG. 7