

**United States Patent** [19]  
**Ringer, Sr.**

[11] **Patent Number: Des. 279,582**

[45] **Date of Patent: \*\* Jul. 9, 1985**

[54] **COMPUTER PAPER FEEDER**

[75] **Inventor: Billy R. Ringer, Sr., Houston, Tex.**

[73] **Assignee: Crestmont Corporation, Houston, Tex.**

[\*\*] **Term: 14 Years**

[21] **Appl. No.: 513,715**

[22] **Filed: Jul. 14, 1983**

[52] **U.S. Cl. .... D18/22; D14/114; D16/32**

[58] **Field of Search ..... D14/111, 114; D18/13, D18/22, 23, 12; 400/625, 616, 616.1, 616.2, 642, 646; 493/410, 411; D16/32**

[56] **References Cited**

**U.S. PATENT DOCUMENTS**

- D. 257,154 9/1980 Stark ..... D18/22
- D. 269,528 6/1983 Sokolowski ..... D18/22

- 3,627,304 12/1971 Reeder et al. .... 493/410
- 4,371,276 2/1983 Mitrovitch et al. .... 400/625

**FOREIGN PATENT DOCUMENTS**

- 2803698 8/1978 Fed. Rep. of Germany ..... 400/625

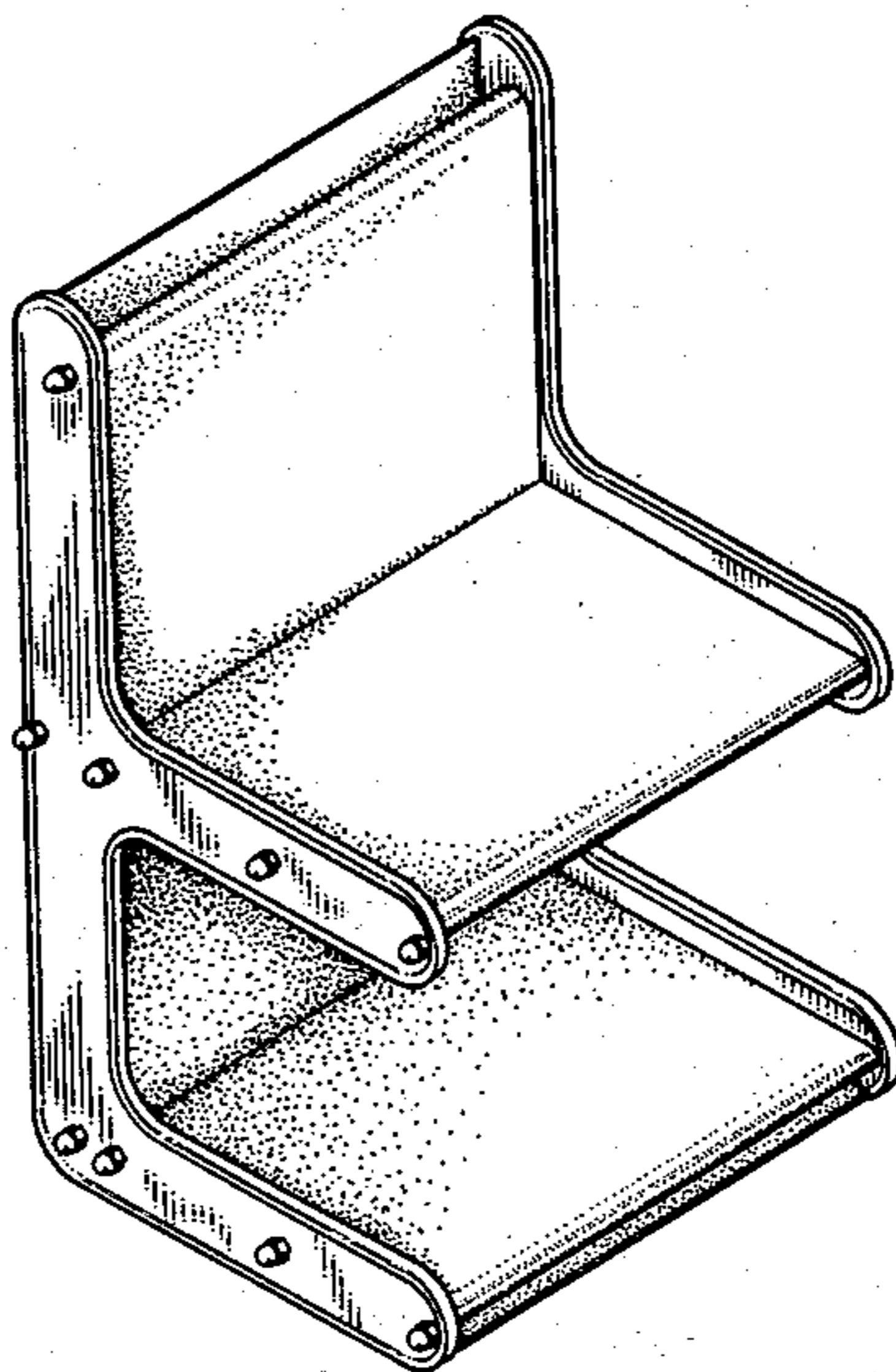
*Primary Examiner*—Susan J. Lucas  
*Attorney, Agent, or Firm*—Michael P. Breston

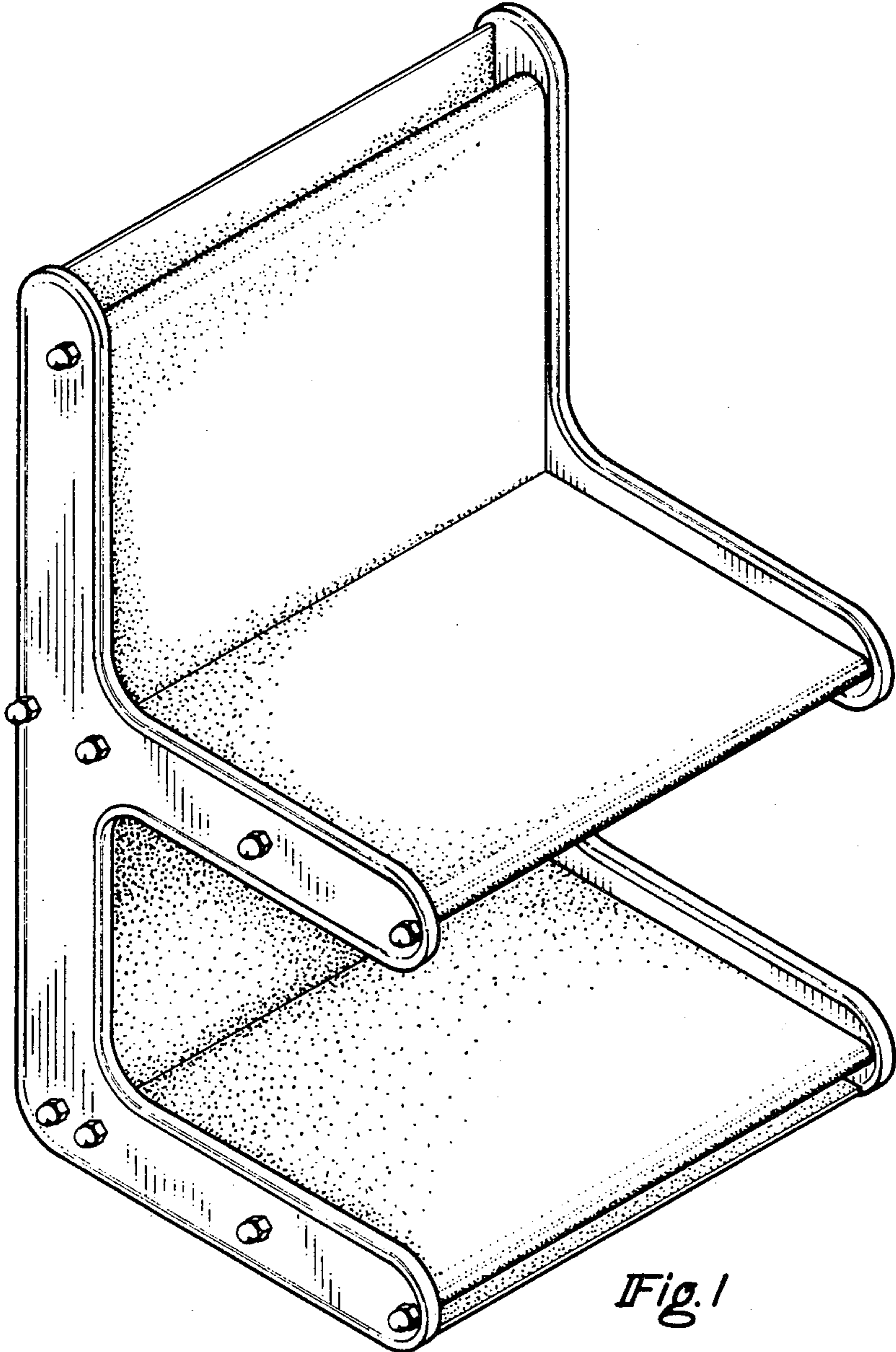
[57] **CLAIM**

The ornamental design for a computer paper feeder, substantially as shown.

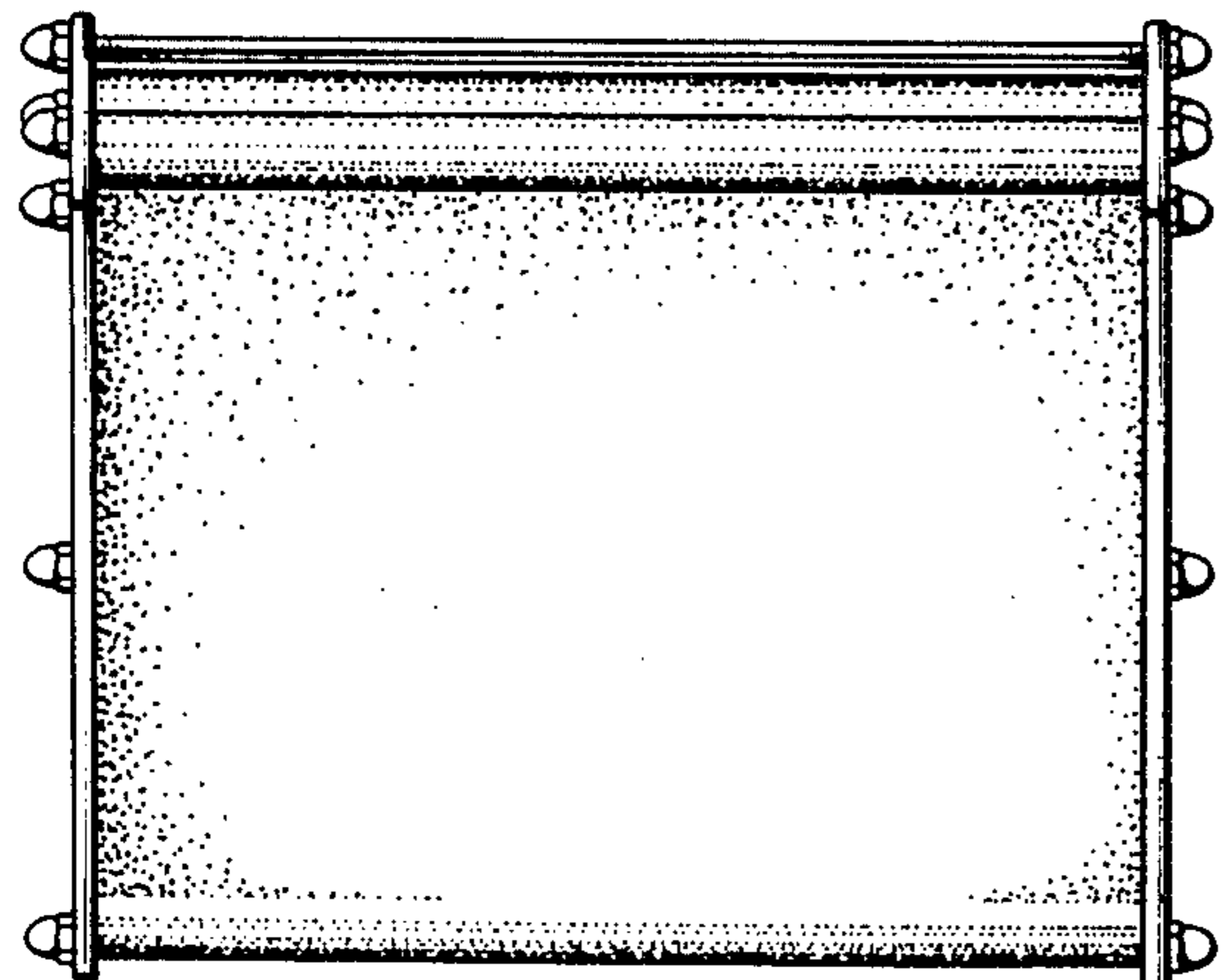
**DESCRIPTION**

FIG. 1 is a view in perspective of the computer paper feeder showing my new design; FIG. 2 is a top view thereof; FIG. 3 is a bottom view thereof; FIG. 4 is a front view thereof; FIG. 5 is a back view thereof; FIG. 6 is a right side view thereof; and FIG. 7 is a left side view thereof.

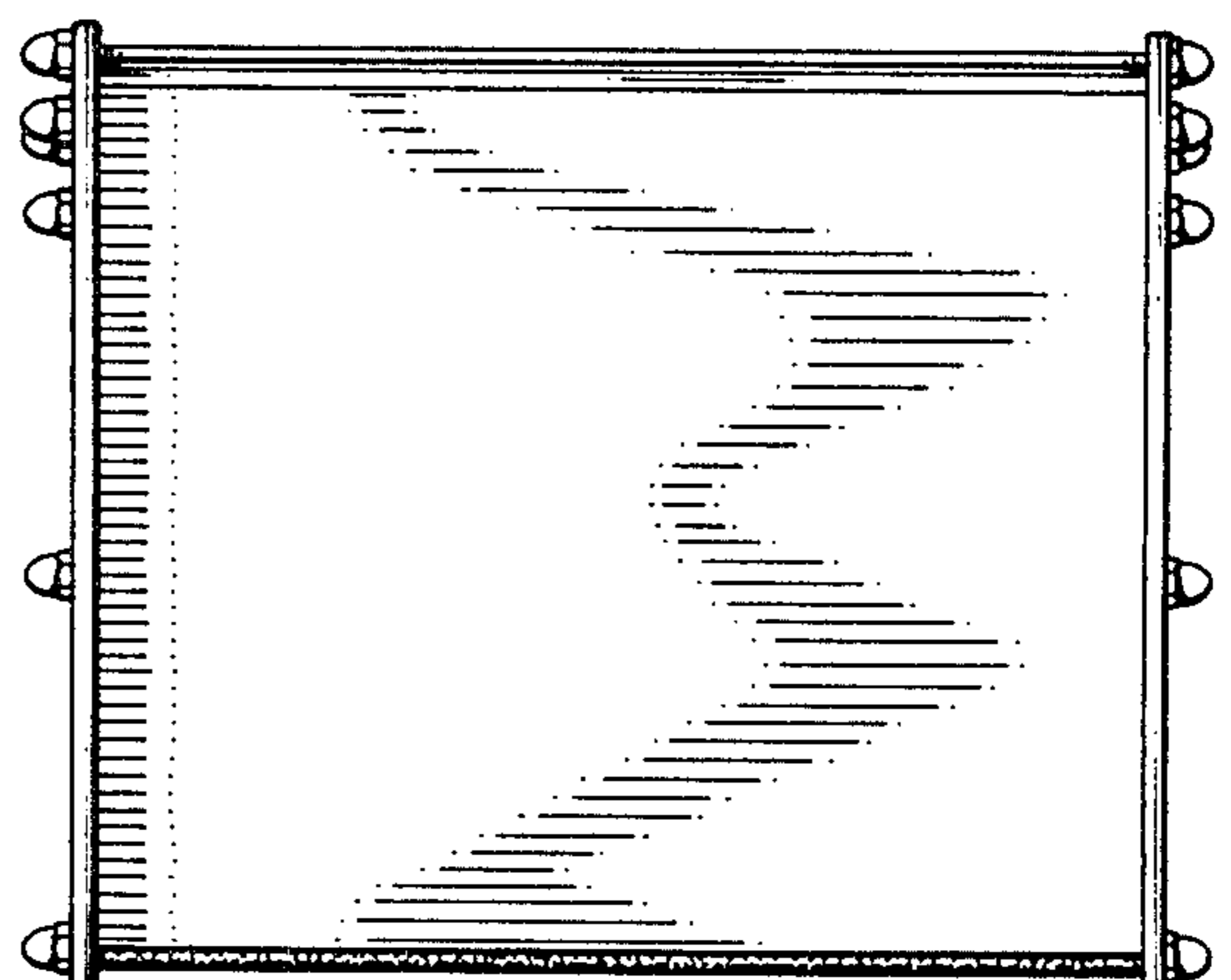




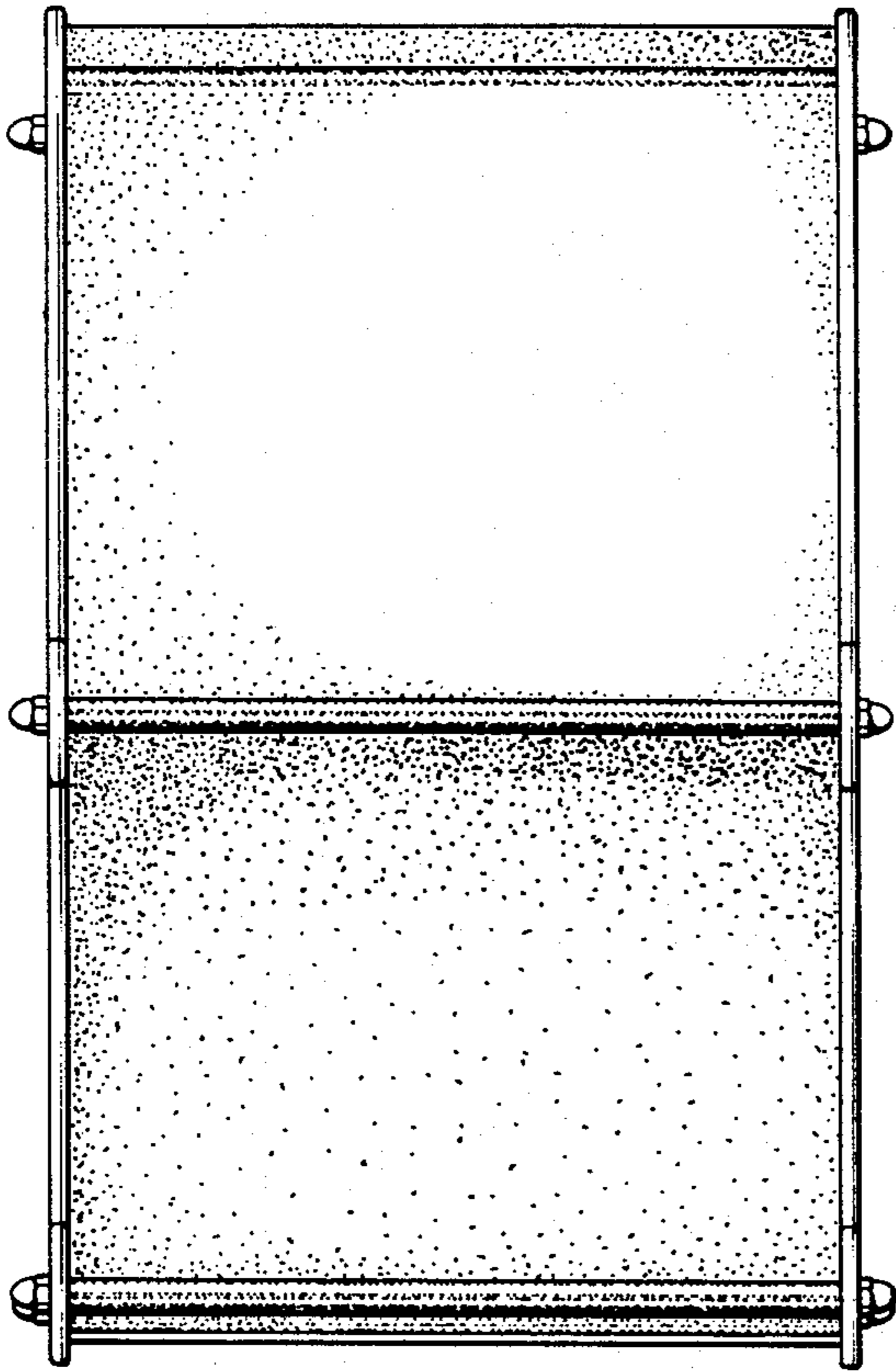
*Fig. 1*



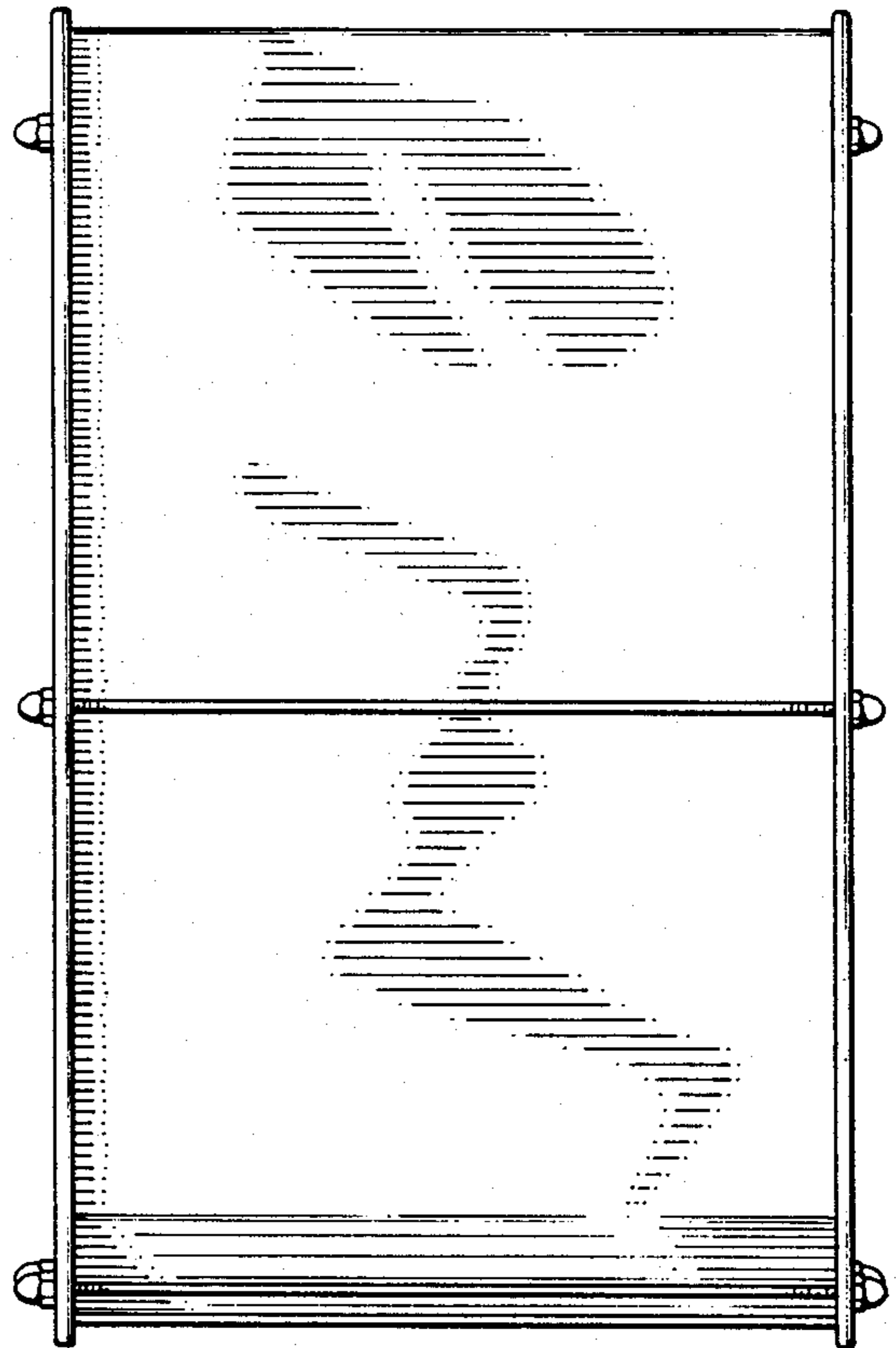
*Fig. 2*



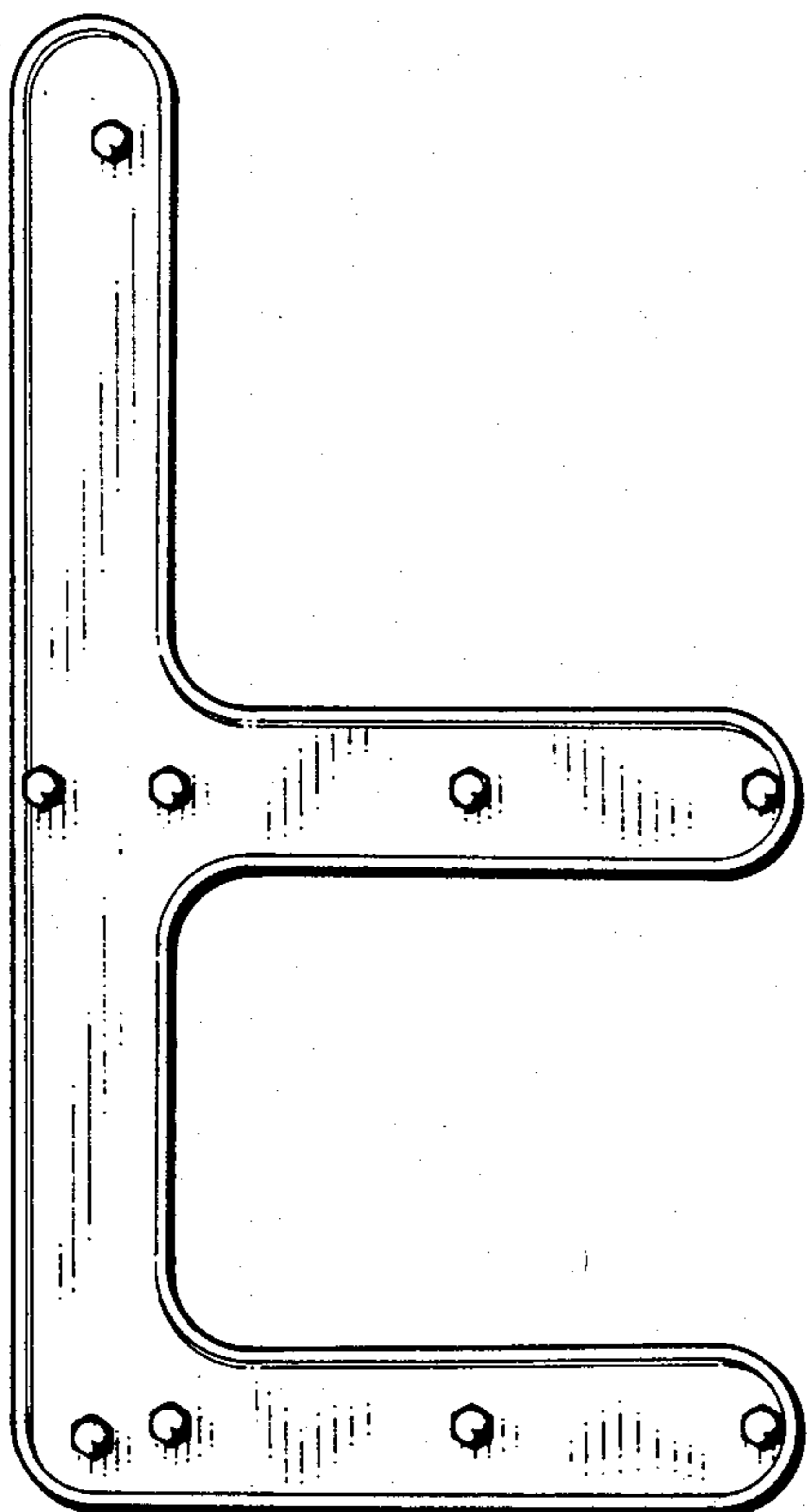
*Fig. 3*



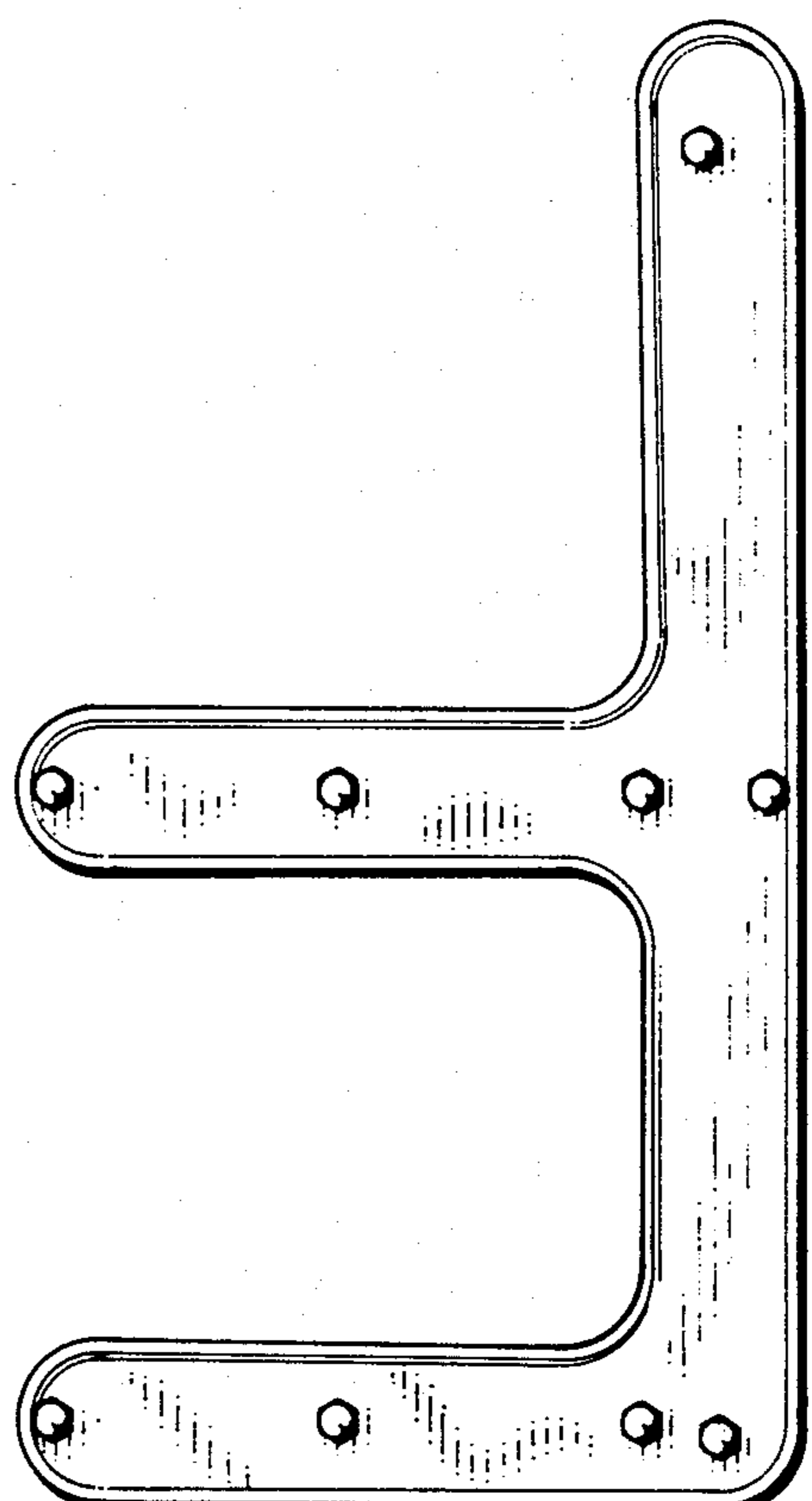
*Fig. 4*



*Fig. 5*



*Fig. 6*



*Fig. 7*