

United States Patent [19]

Juliana et al.

[11] Patent Number: **Des. 279,581**

[45] Date of Patent: **** Jul. 9, 1985**

[54] **INK CARTRIDGE FOR AN INK JET
PRINTER OR SIMILAR ARTICLE**

[75] Inventors: **Vincent A. Juliana**, Exton, Pa.;
Viacheslav B. Maltsev, Stormville,
N.Y.; **Frank L. Roe**, Brookfield
Center, Conn.

[73] Assignee: **Exxon Research & Engineering
Company**, Florham Park, N.J.

[**] Term: **14 Years**

[21] Appl. No.: **453,238**

[22] Filed: **Dec. 27, 1982**

[52] U.S. Cl. **D18/22**

[58] Field of Search **D18/22; D9/424, 425,
D9/375, 341, 423, 431, 432; 400/126; 346/75,
140 R, 140 IJ, 140 PD**

[56] **References Cited**

U.S. PATENT DOCUMENTS

D. 219,188 11/1970 Joyce D9/341 X

D. 229,171 11/1973 Duhy D9/425
D. 275,965 10/1984 Bellini D18/22
4,156,244 5/1979 Erikson et al. 346/140 IJ
4,332,487 6/1982 Bouio et al. 400/126
4,447,820 5/1984 Terasawa 400/126 X
4,475,116 10/1984 Sicking et al. 346/140 PD

Primary Examiner—Robert C. Spangler
Attorney, Agent, or Firm—Kenneth Watov

[57] **CLAIM**

The ornamental design for an ink cartridge for an ink jet printer or similar article, as shown and described.

DESCRIPTION

FIG. 1 is a top perspective view of an ink cartridge for an ink jet printer or similar article showing my new design;

FIG. 2 is an end elevational view, the opposite side being the same in appearance;

FIG. 3 is a side elevational view, the opposite side being the same in appearance;

FIG. 4 is an enlarged top plan view; and

FIG. 5 is an enlarged bottom plan view thereof.

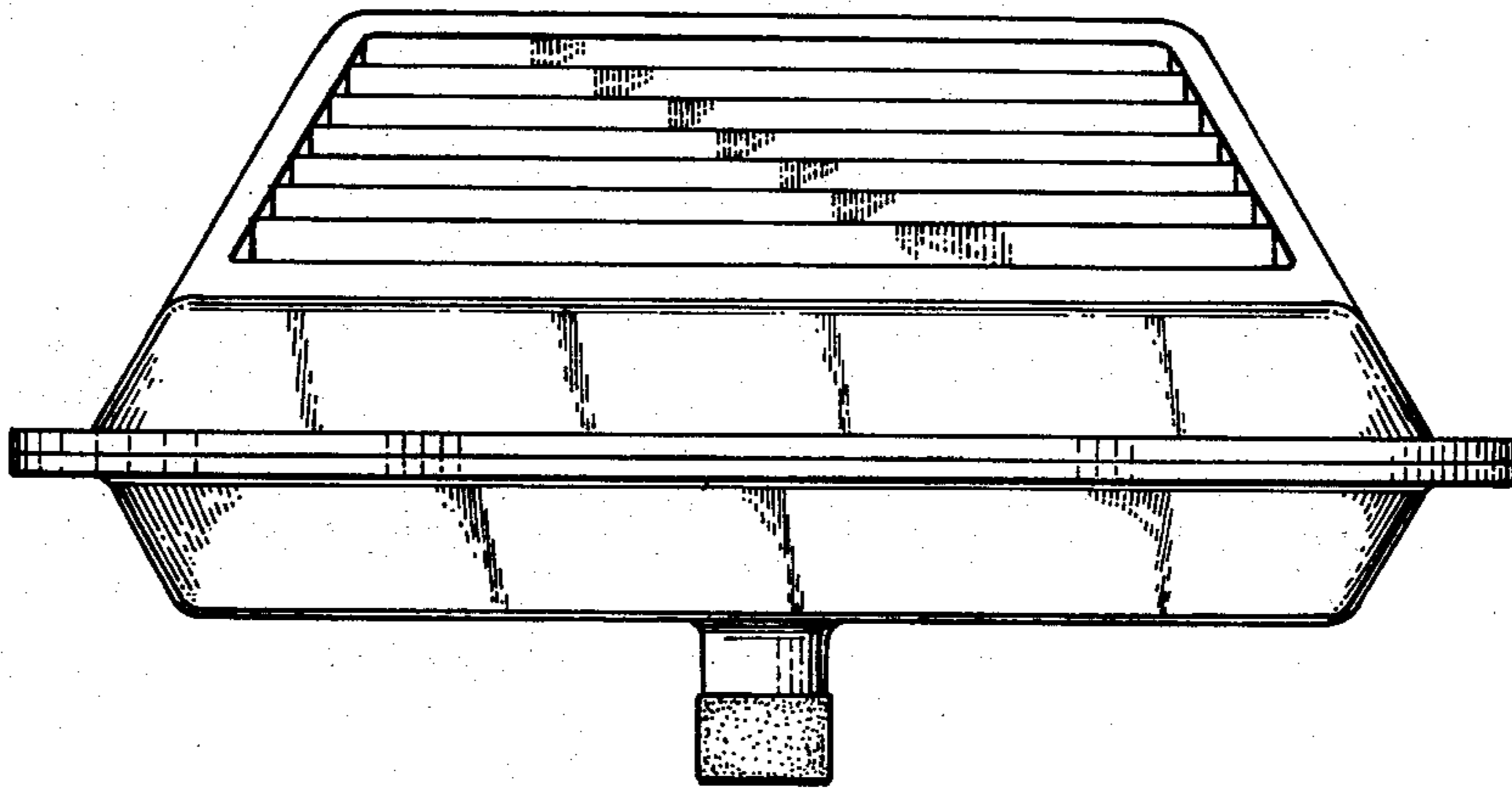


FIG. 1

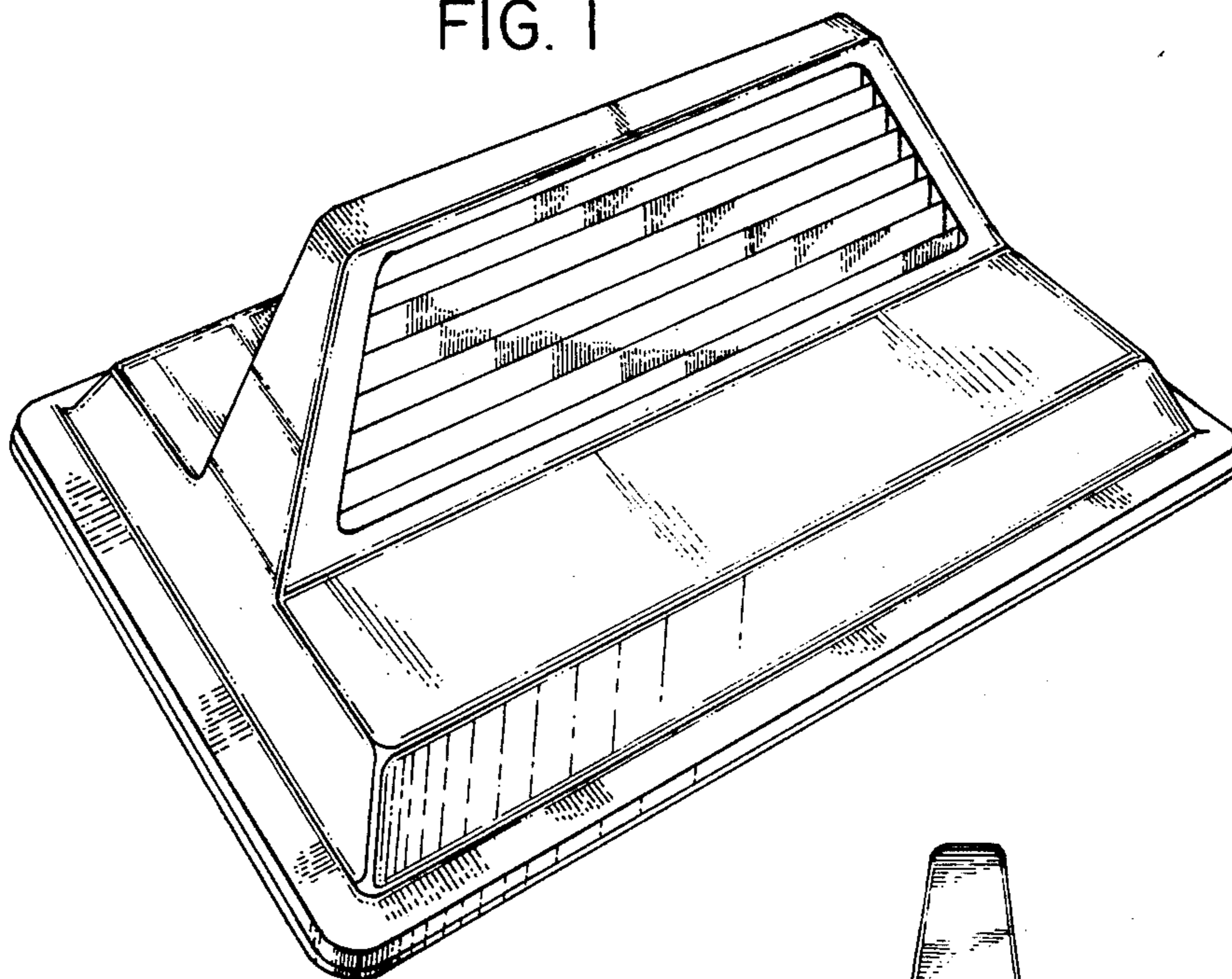


FIG. 2

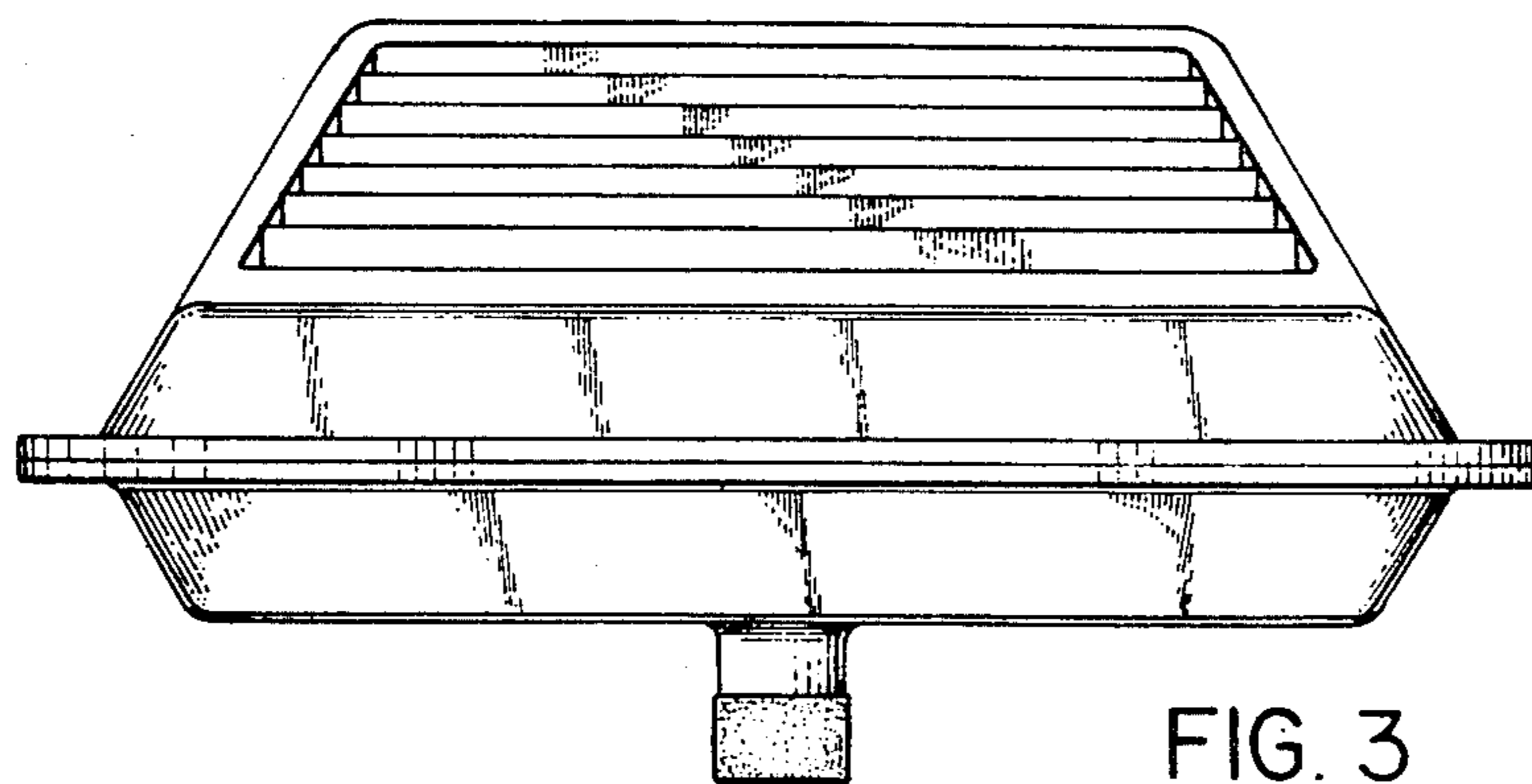
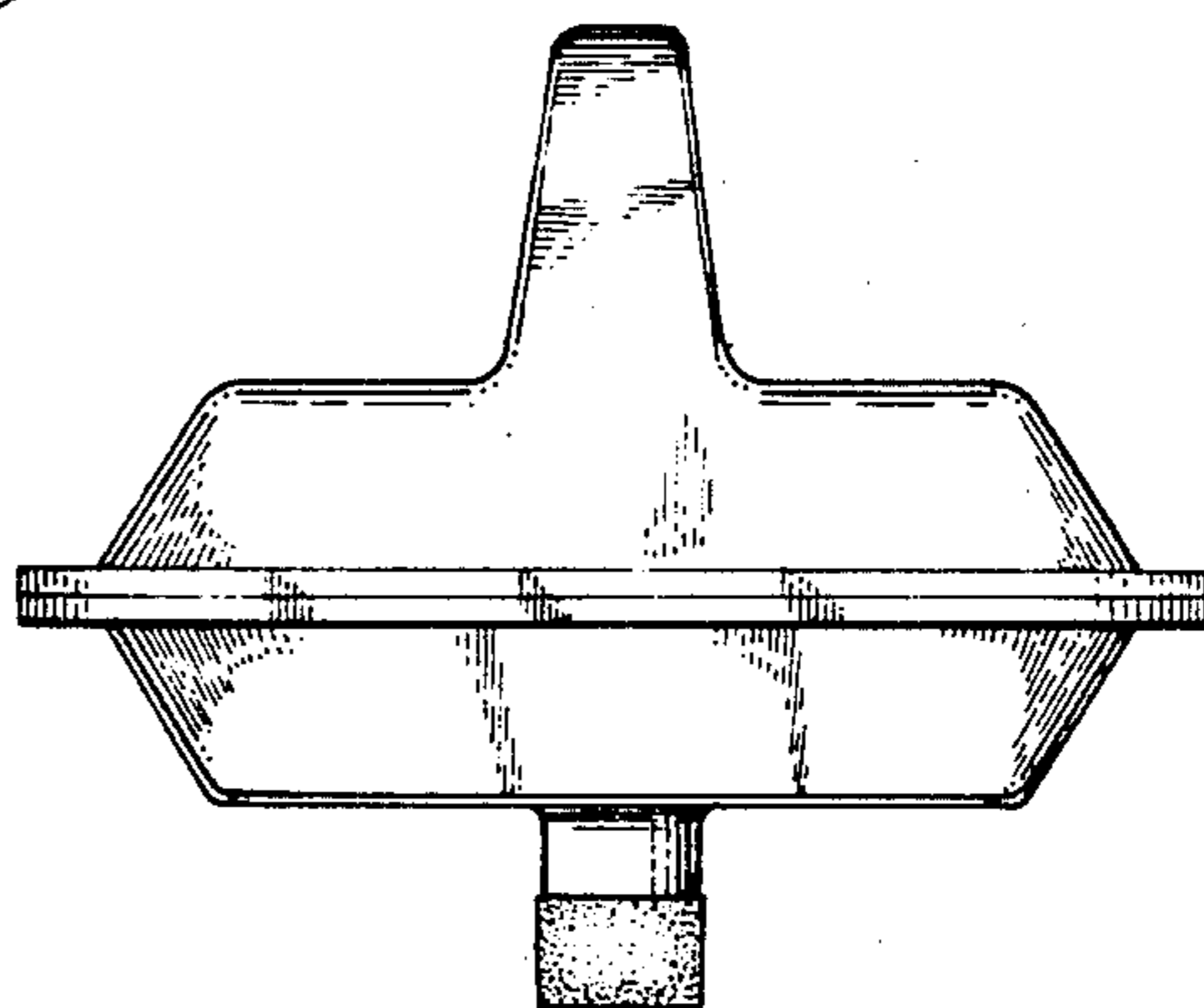


FIG. 3

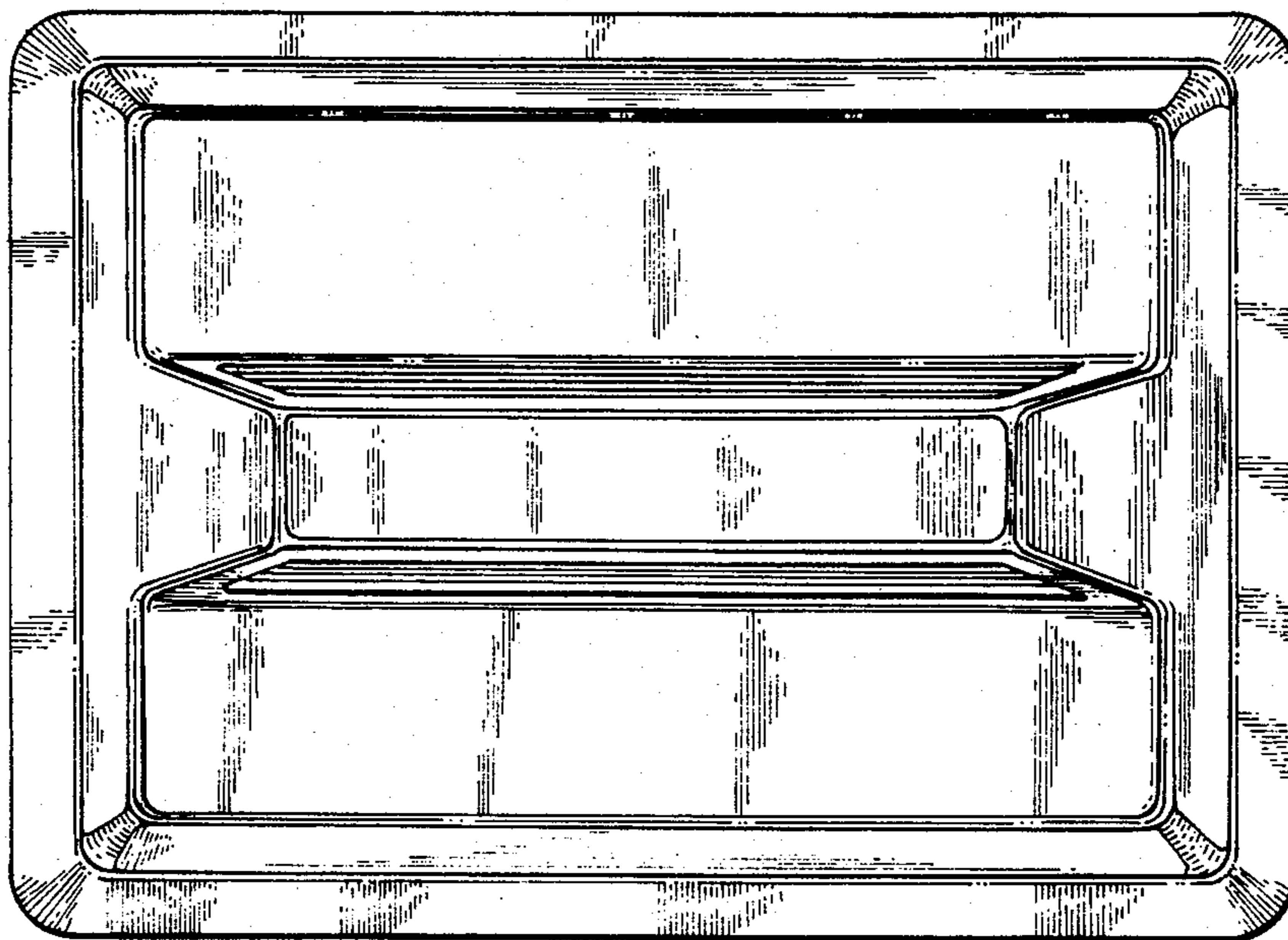


FIG. 4

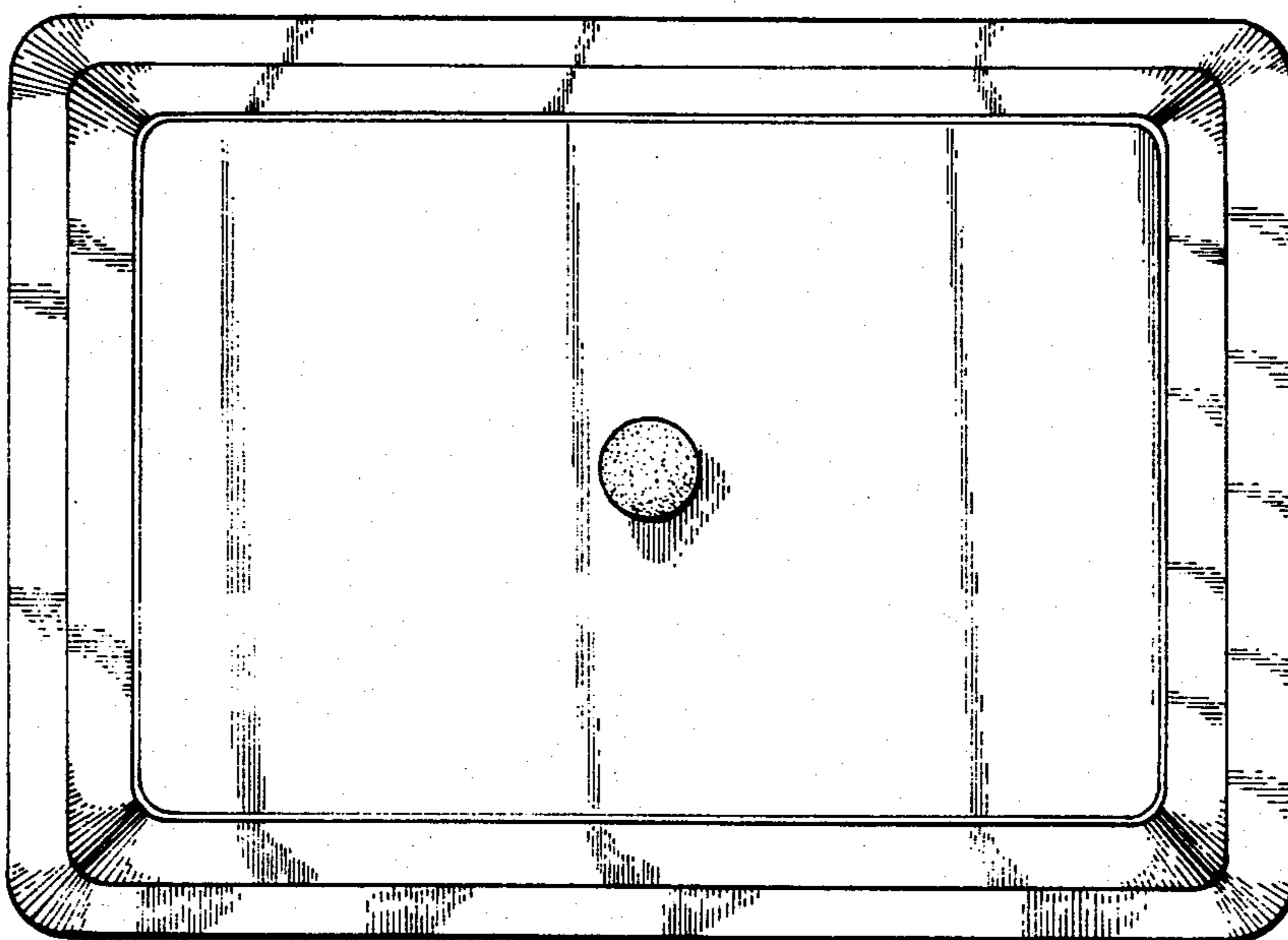


FIG. 5