

# United States Patent [19]

Yasuoka et al.

[11] Patent Number: **Des. 279,572**

[45] Date of Patent: **\*\* Jul. 9, 1985**

[54] **INDUSTRIAL ROBOT**

[75] Inventors: **Hirotohi Yasuoka, Aichi; Takanobu Fujimoto, Kanagawa, both of Japan**

[73] Assignee: **Mitsubishi Denki Kabushiki Kaisha, Tokyo, Japan**

[\*\*] Term: **14 Years**

[21] Appl. No.: **516,498**

[22] Filed: **Jul. 25, 1983**

[30] **Foreign Application Priority Data**

Mar. 22, 1983 [JP] Japan ..... 58-11698

[52] U.S. Cl. .... **D15/199; D15/122**

[58] Field of Search ..... **D15/122, 199; 901/30, 901/31, 40, 23; 414/728, 729, 732, 738**

[56] **References Cited**

### U.S. PATENT DOCUMENTS

D. 268,033 2/1983 Stackhouse ..... **D15/122**

D. 269,681 7/1983 Morser et al. .... **D15/199**

3,630,389 12/1971 Schmidt et al. .... 901/40

3,984,009 10/1976 Holroyd ..... 901/31

4,273,506 6/1981 Thomson et al. .... 901/31

4,396,344 8/1983 Sugimoto et al. .... 414/735

### FOREIGN PATENT DOCUMENTS

2085398 4/1982 United Kingdom ..... 414/738

*Primary Examiner*—B. J. Bullock

*Attorney, Agent, or Firm*—Sughrue, Mion, Zinn, Macpeak & Seas

[57] **CLAIM**

The ornamental design for an industrial robot, as shown.

### DESCRIPTION

FIG. 1 is a front, top and left side perspective view of an industrial robot showing our new design;

FIG. 2 is a left side elevational view thereof;

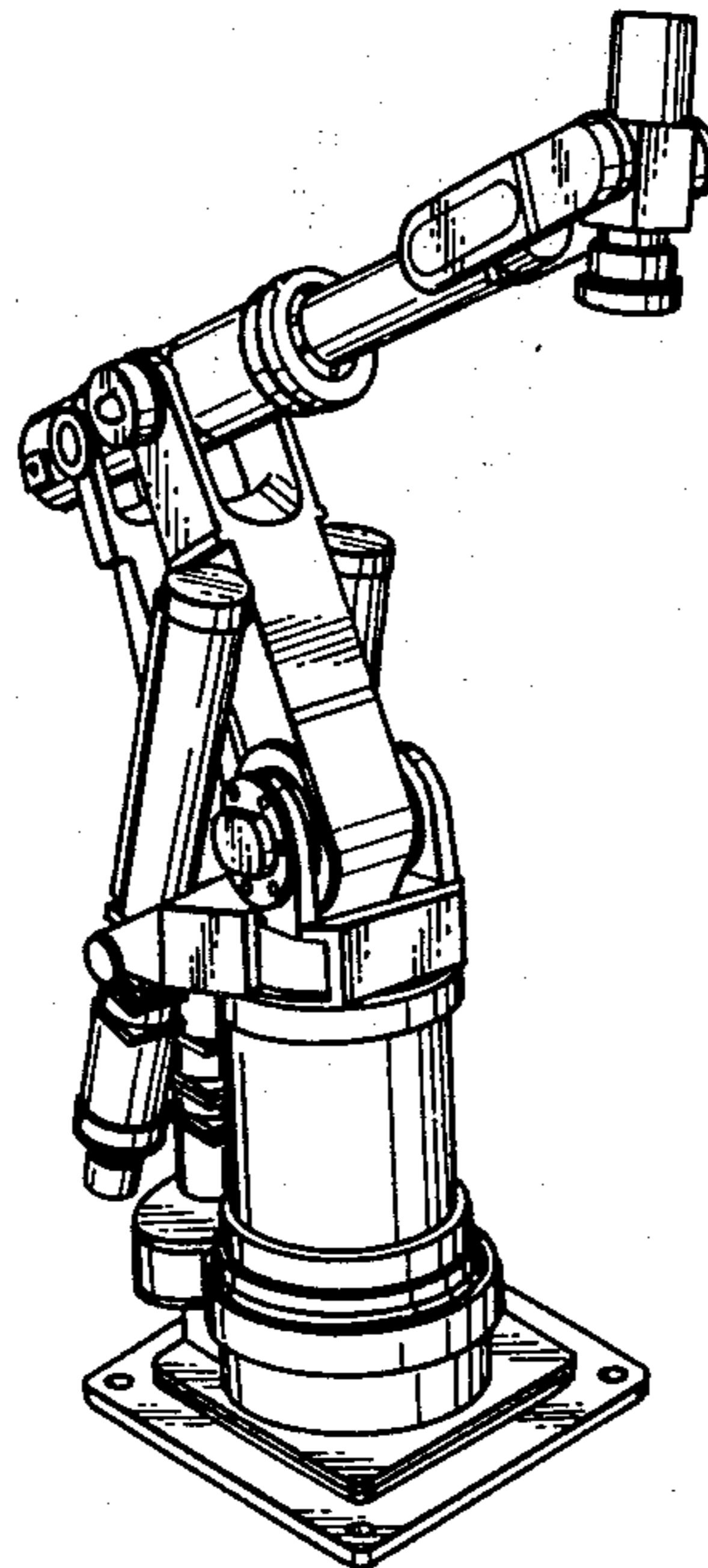
FIG. 3 is a right side elevational view thereof;

FIG. 4 is a rear elevational view thereof;

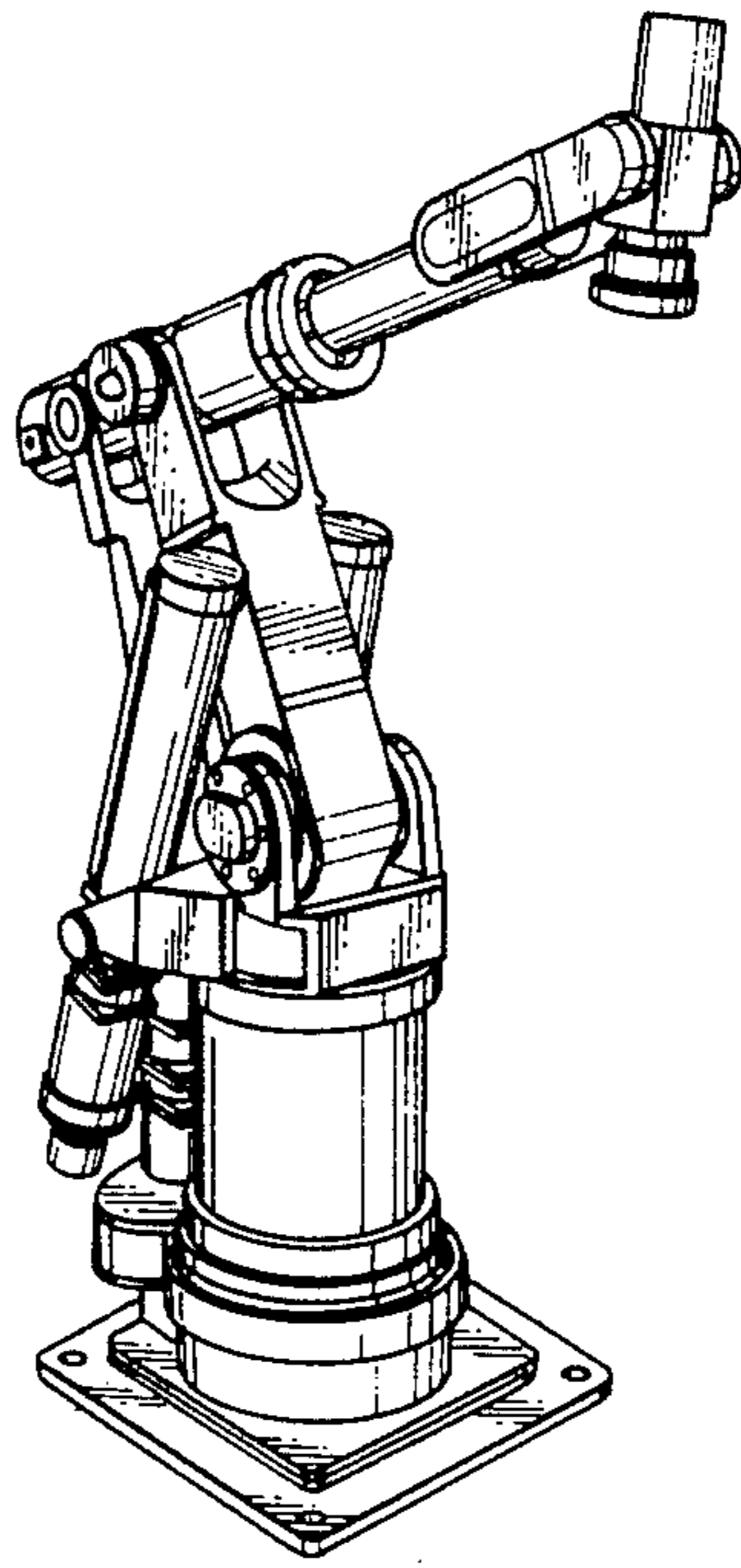
FIG. 5 is a front elevational view thereof;

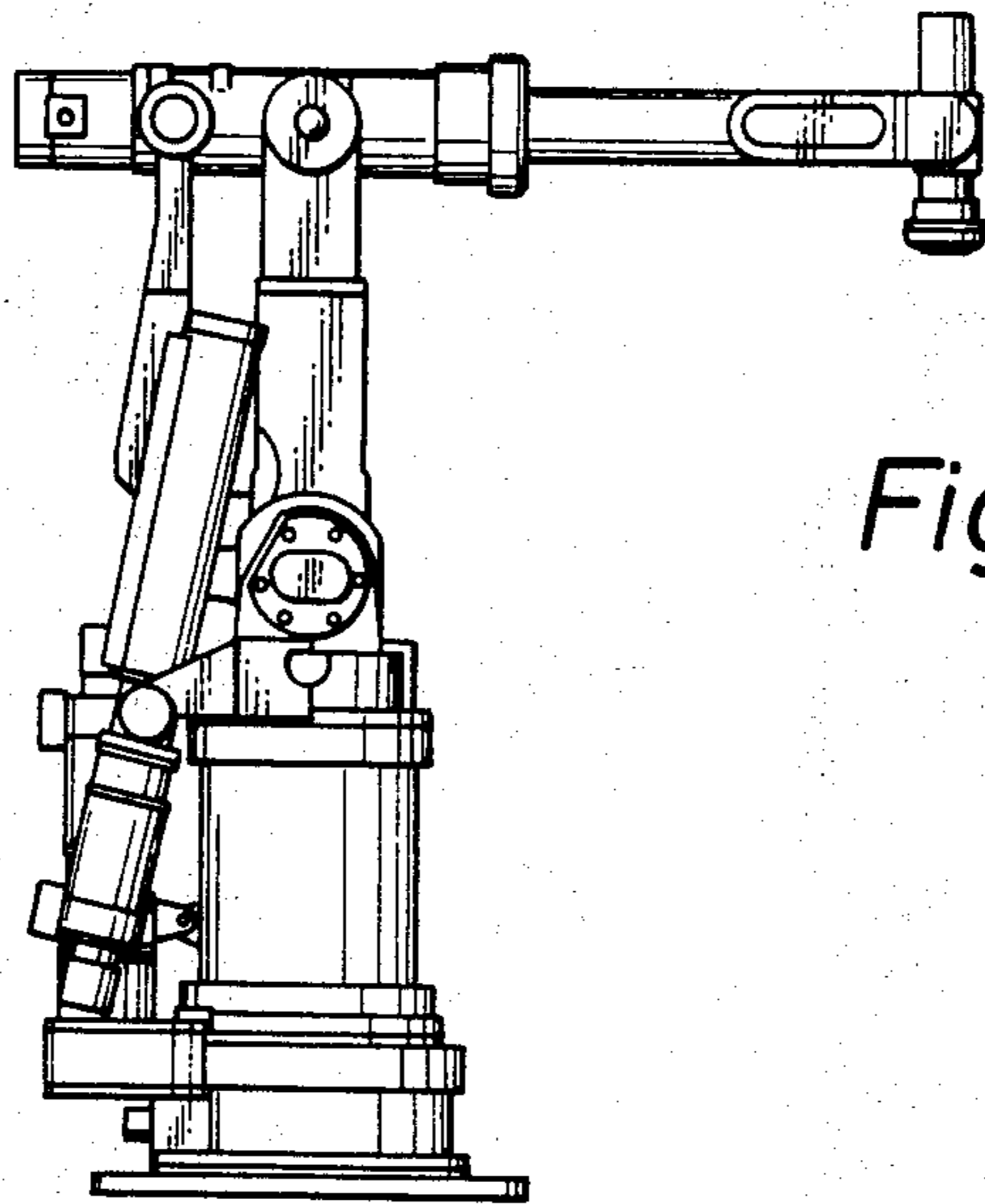
FIG. 6 is a top plan view thereof; and

FIG. 7 is a bottom plan view thereof.

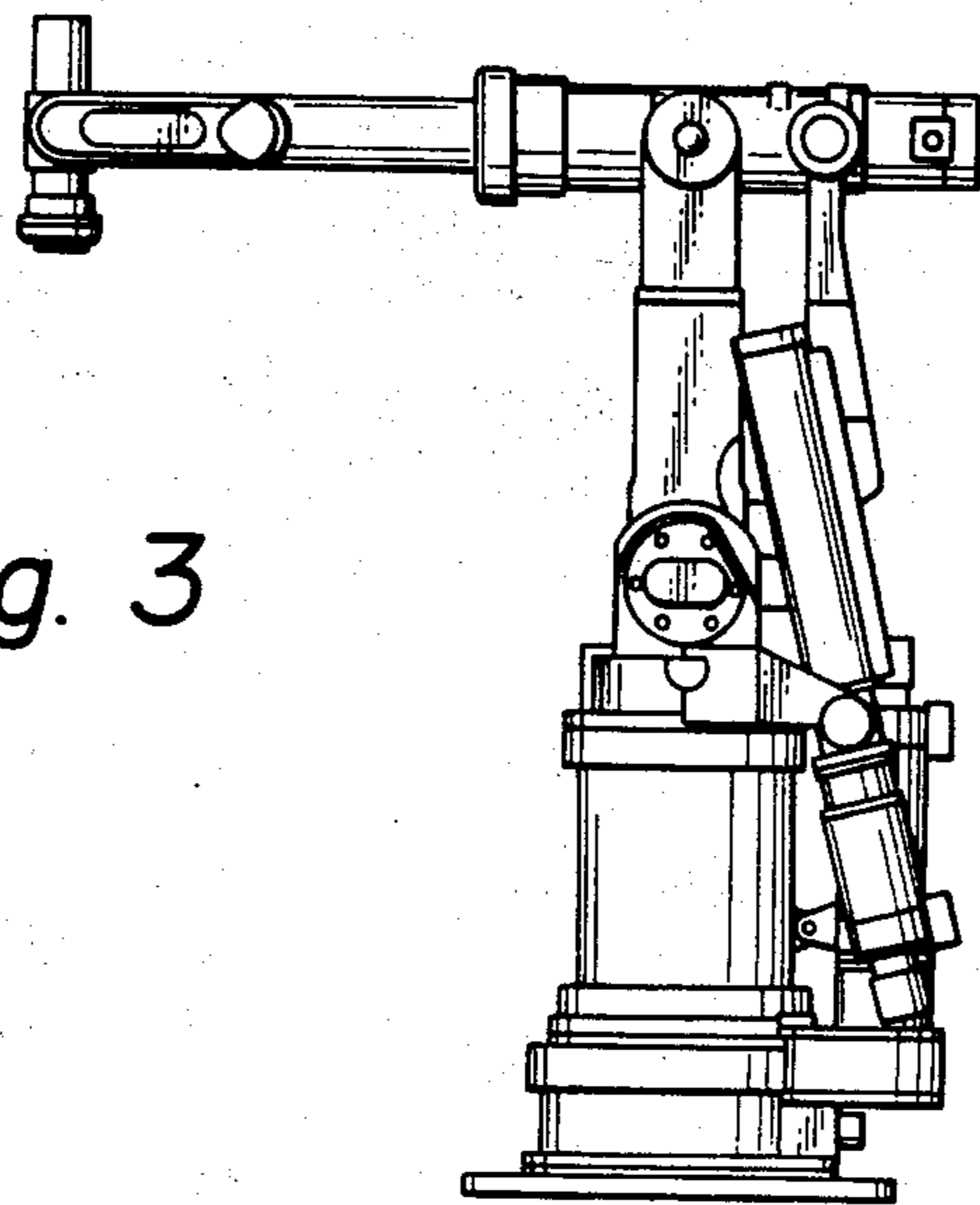


*Fig. 1*



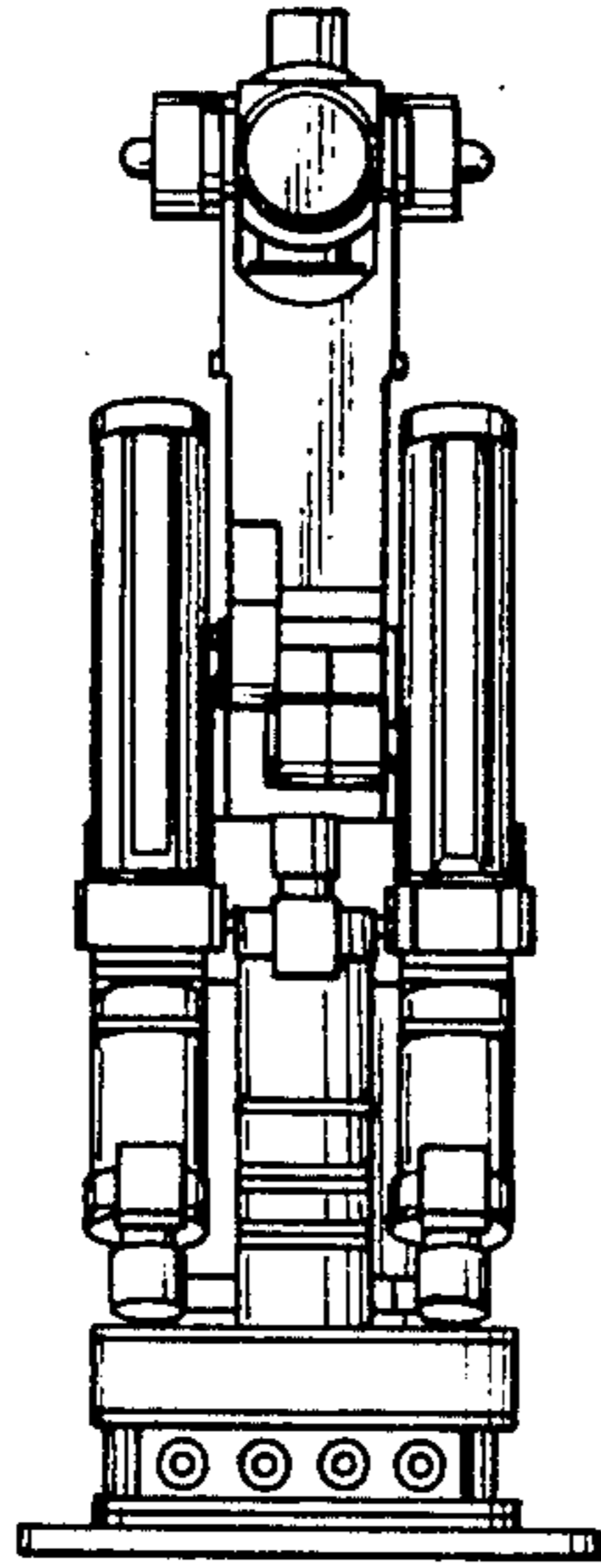


*Fig. 2*

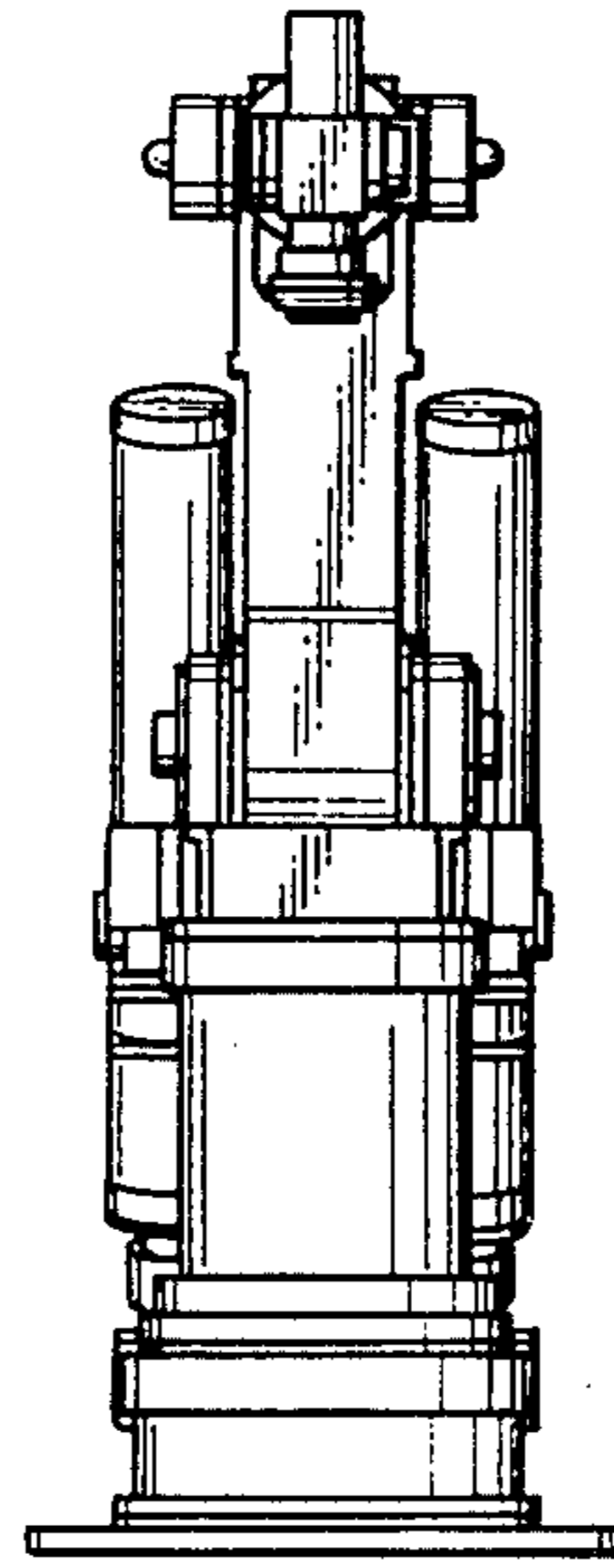


*Fig. 3*

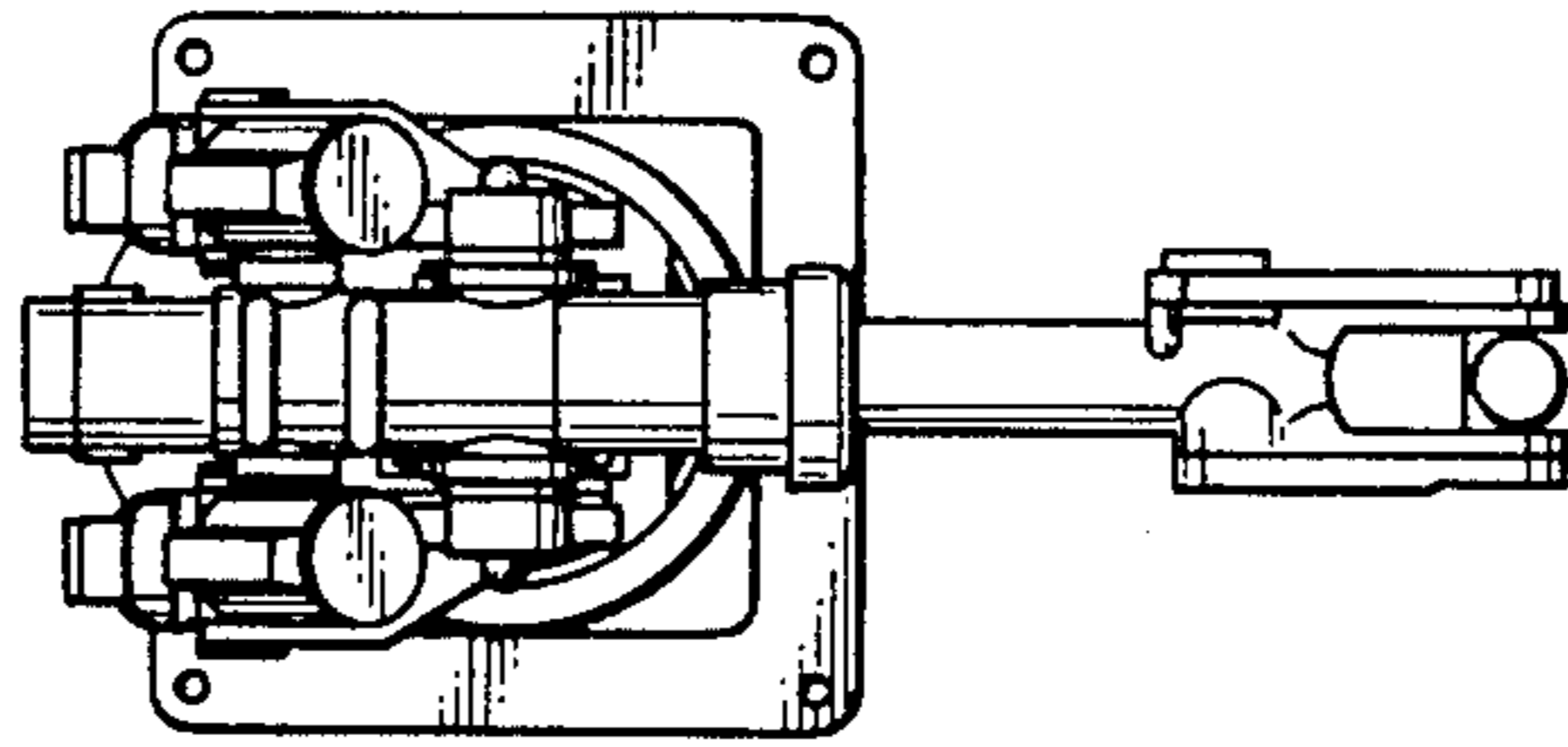
*Fig. 4*



*Fig. 5*



*Fig. 6*



*Fig. 7*

