

United States Patent [19]

Arai et al.

[11] Patent Number: **Des. 279,571**

[45] Date of Patent: **** Jul. 9, 1985**

[54] **INDUSTRIAL ROBOT**

[75] Inventors: **Shinji Arai, Aichi; Yoshio Sanada, Gifu; Takanobu Fujimoto, Kanagawa, all of Japan**

[73] Assignee: **Mitsubishi Denki Kabushiki Kaisha, Tokyo, Japan**

[**] Term: **14 Years**

[21] Appl. No.: **516,500**

[22] Filed: **Jul. 25, 1983**

[30] **Foreign Application Priority Data**

Mar. 14, 1983 [JP] Japan 58-10475

[52] U.S. Cl. **D15/199; D15/122**

[58] Field of Search **D15/122, 199; 90/30, 90/31, 40, 23; 414/728, 729, 732, 738**

[56] **References Cited**

U.S. PATENT DOCUMENTS

D. 268,033 2/1983 Stackhouse D15/122
D. 269,681 7/1983 Morseu et al. D15/199

3,630,389 12/1971 Schmidt 901/40
3,984,009 10/1976 Holroyd 901/31
4,273,506 6/1981 Thomson 901/31
4,396,344 8/1983 Sugimoto et al. 414/735

FOREIGN PATENT DOCUMENTS

2085398 4/1982 United Kingdom 414/738

Primary Examiner—B. J. Bullock
Attorney, Agent, or Firm—Sughrue, Mion, Zinn, Macpeak & Seas

[57] **CLAIM**

The ornamental design for an industrial robot, as shown.

DESCRIPTION

FIG. 1 is a front, top and right side perspective view of an industrial robot showing our new design; FIG. 2 is a right side elevational view thereof; FIG. 3 is a left side elevational view thereof; FIG. 4 is a front elevational view thereof; FIG. 5 is a rear elevational view thereof; FIG. 6 is a top plan view thereof; and FIG. 7 is a bottom plan view thereof.

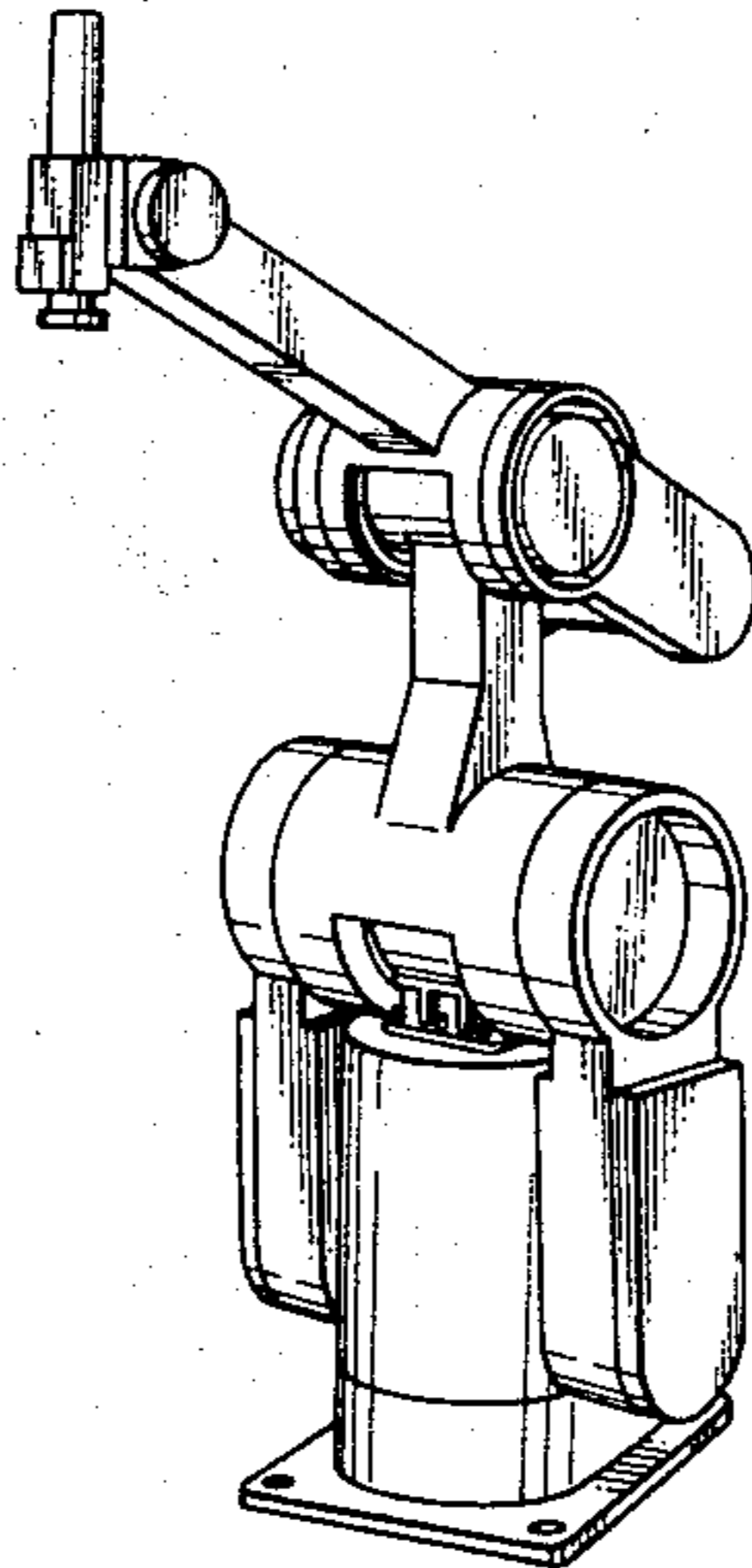


Fig. 1

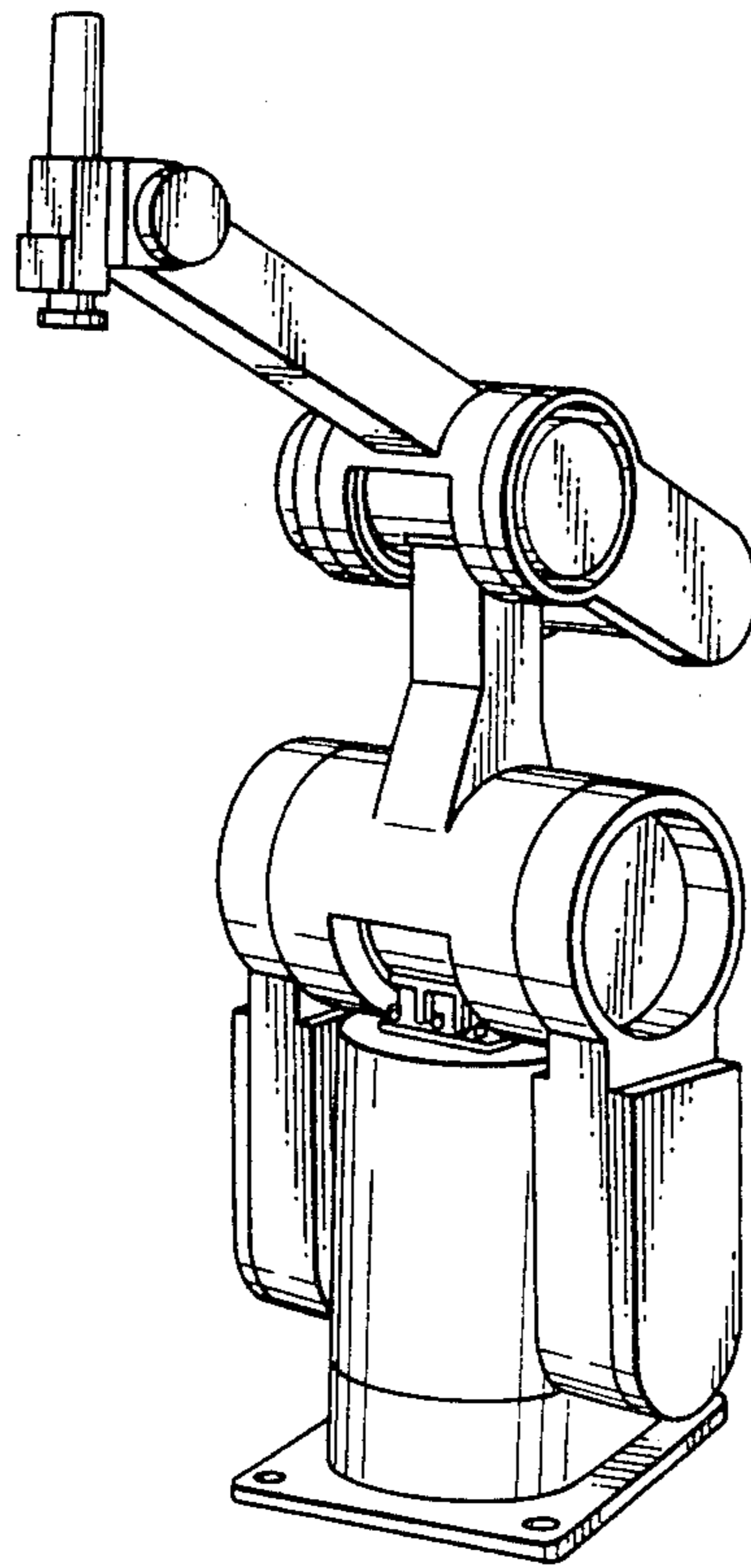


Fig. 2

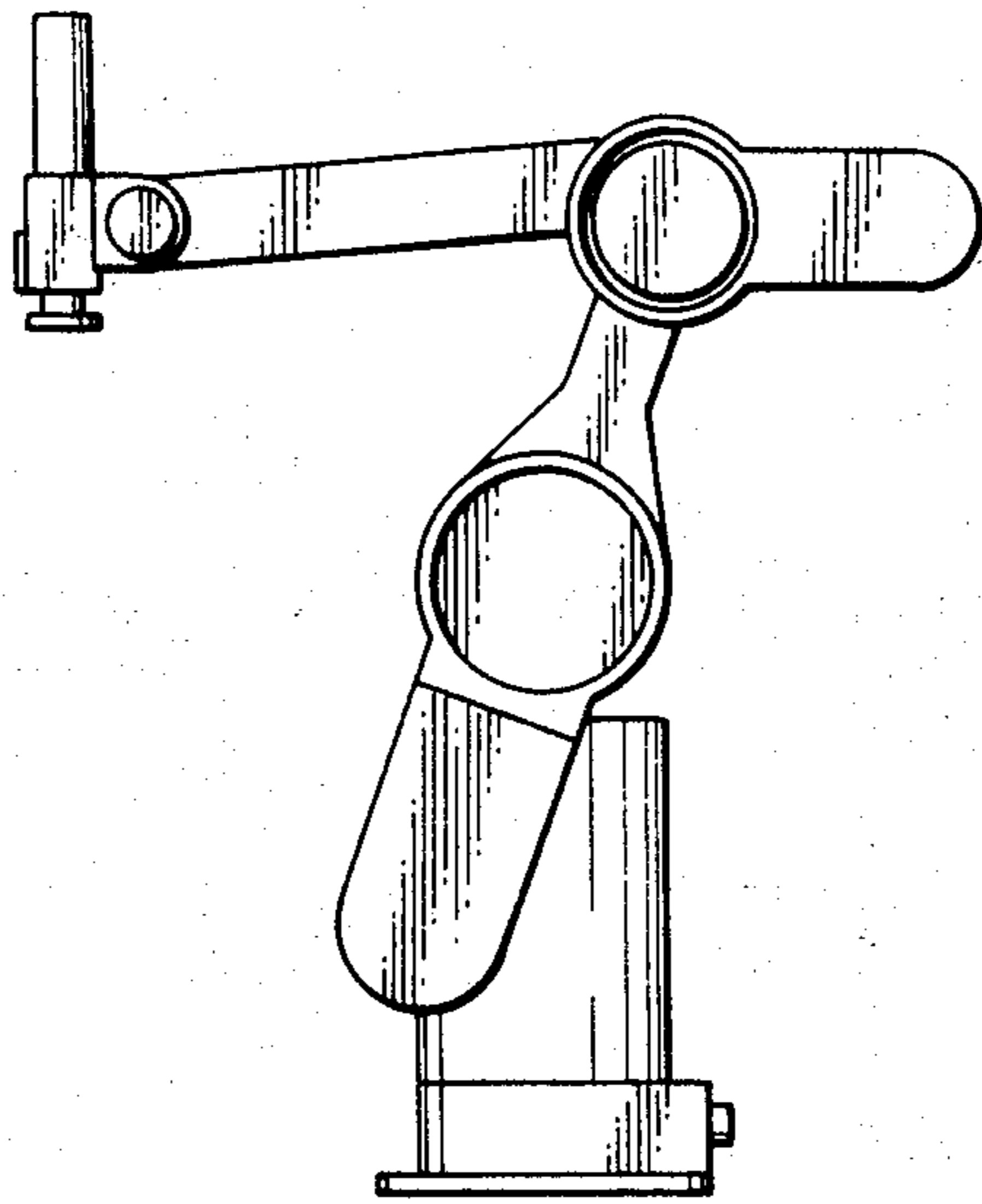


Fig. 3

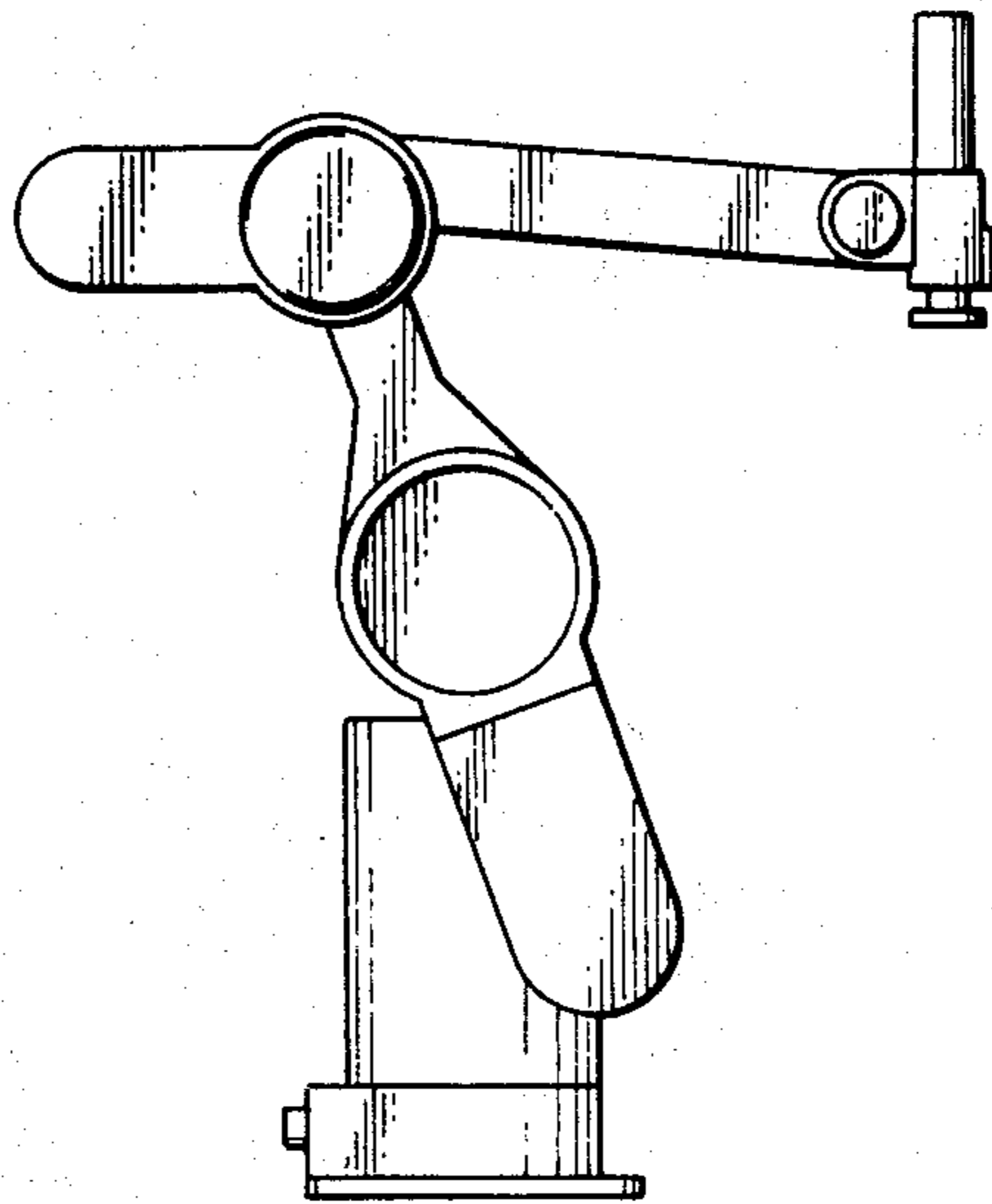


Fig. 4

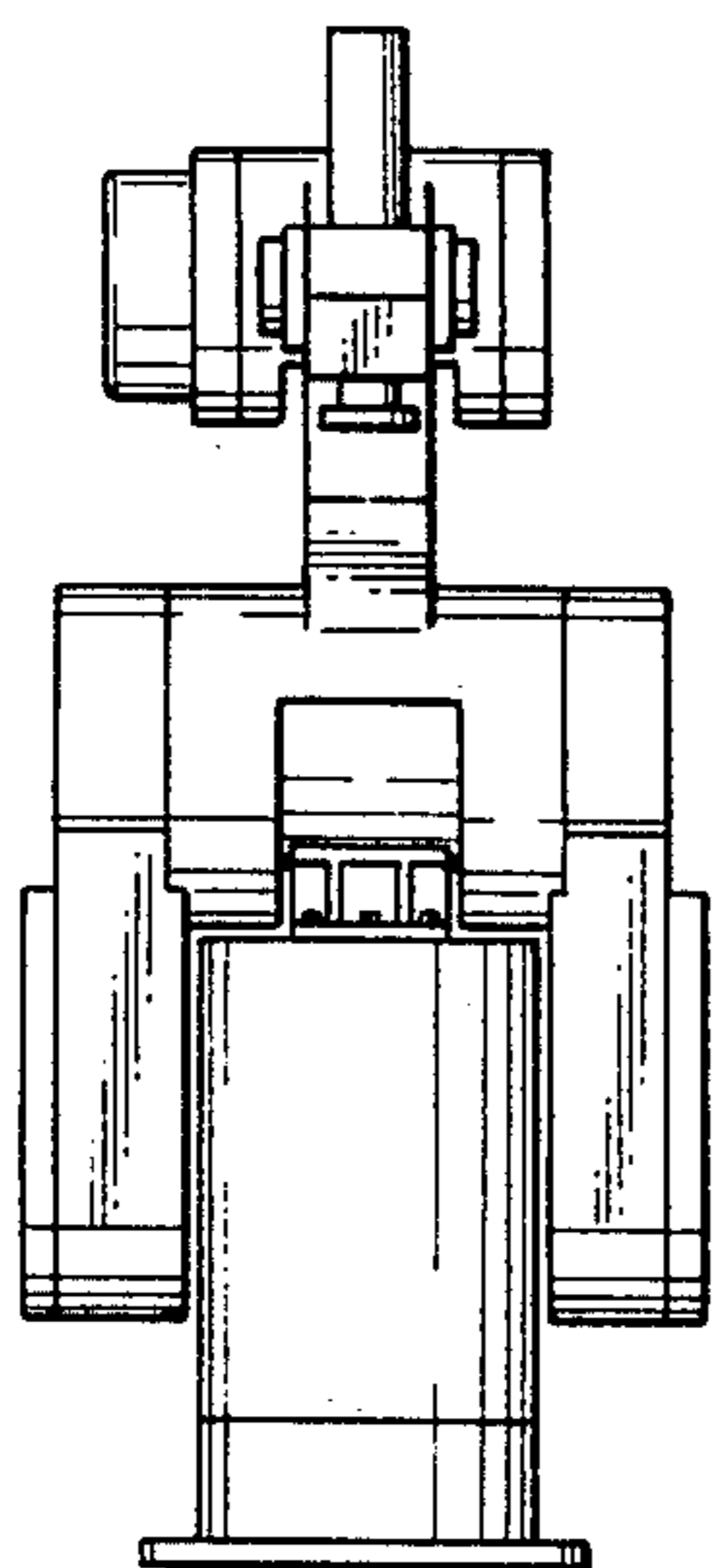


Fig. 5

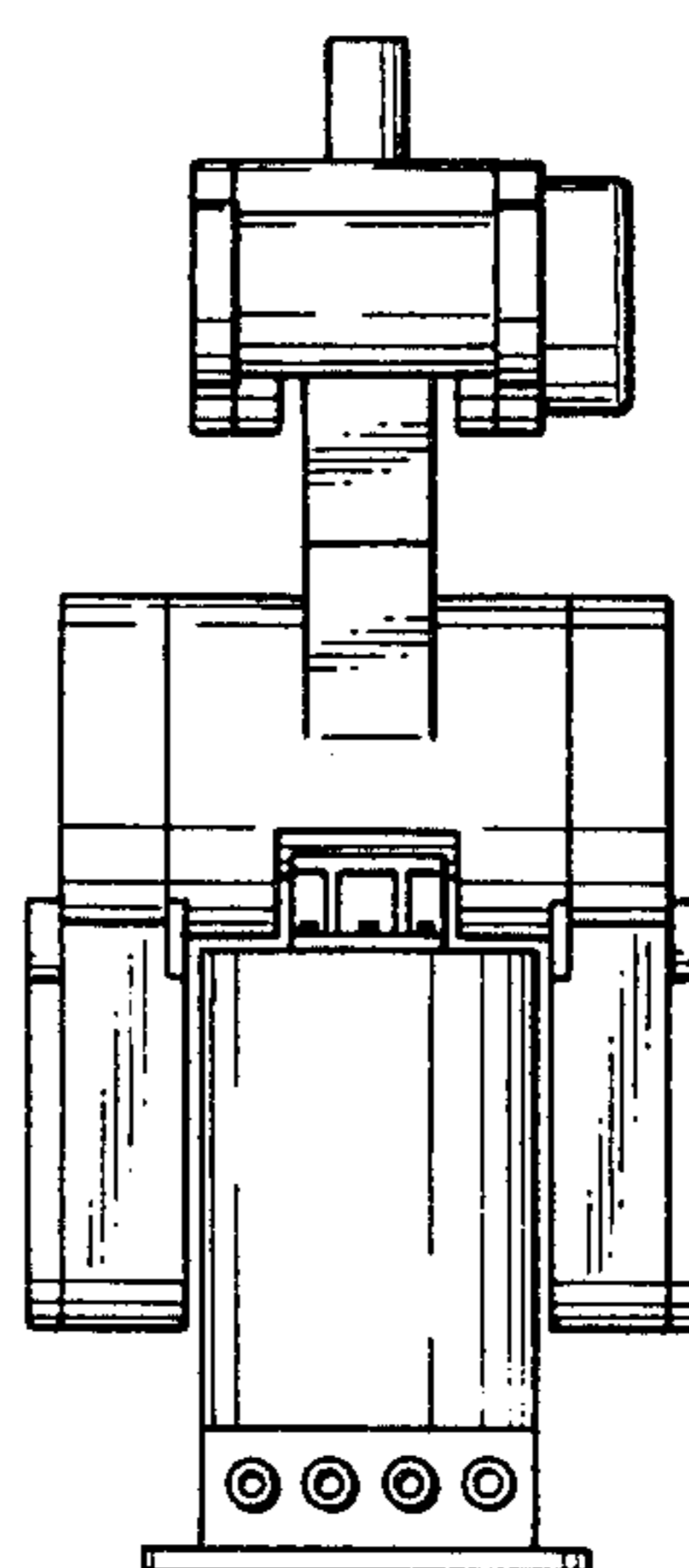


Fig. 6

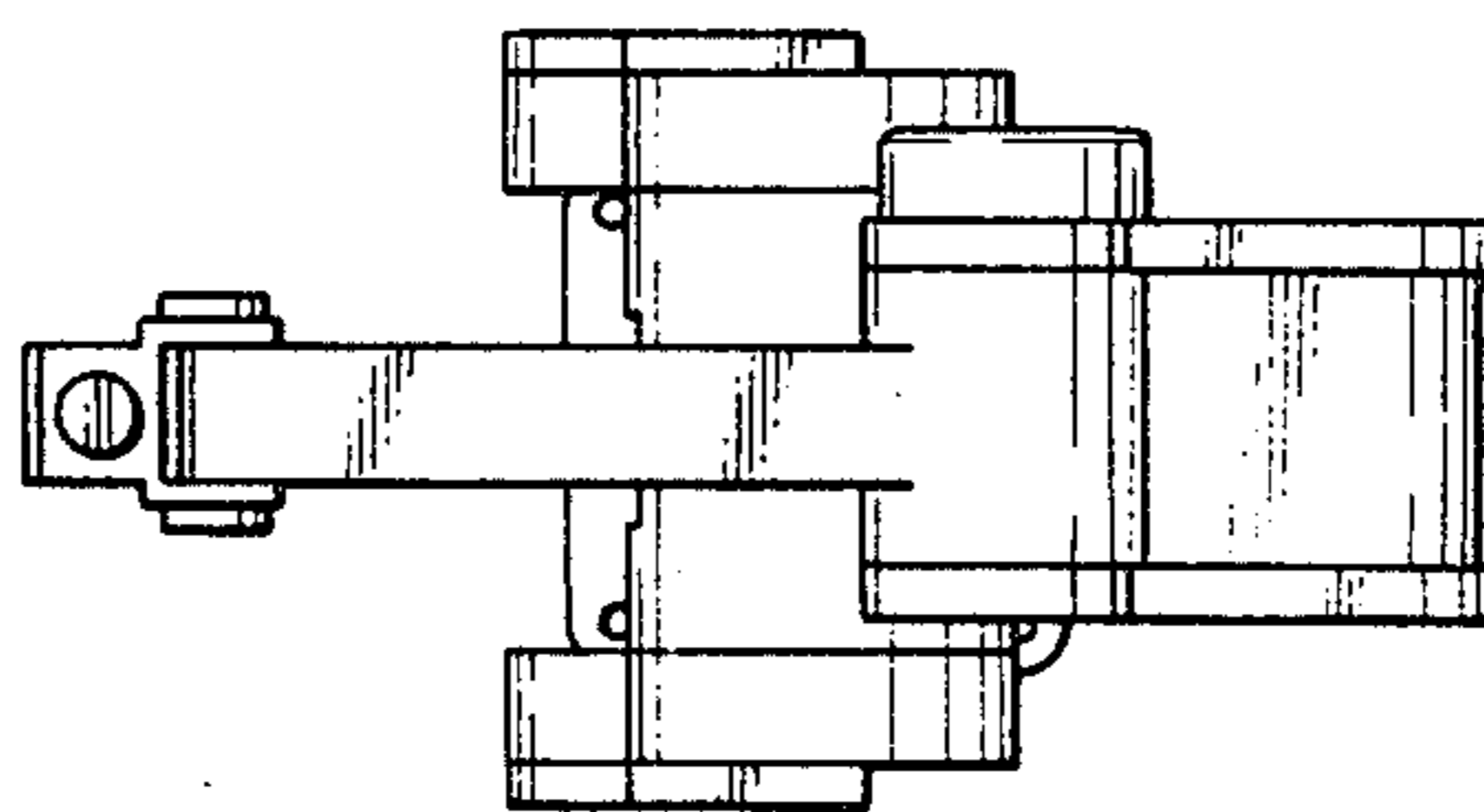


Fig. 7

