

[54] TOOTH FOR BUCKETS ON DIGGING AND LOADING MACHINES

[75] Inventor: Olav Nja, Kverneland, Norway

[73] Assignee: Kverneland A/S, Kverneland, Norway

[**] Term: 14 Years

[21] Appl. No.: 501,076

[22] Filed: Jun. 6, 1983

[30] Foreign Application Priority Data

Dec. 28, 1982 [NO] Norway 63618

[52] U.S. Cl. D15/29

[58] Field of Search D15/10, 11, 28, 29, D15/25; 37/141 R, 141 T, 142 R, 142 A

[56] References Cited

U.S. PATENT DOCUMENTS

- D. 183,500 9/1958 Smedley D15/29
- D. 213,961 4/1879 Wheatly 37/142 R
- D. 275,681 9/1984 Nja D15/29
- D. 275,757 10/1984 Nja D15/29

- 1,446,389 2/1923 McGrew 37/142 R
- 3,440,745 4/1969 Palm 37/141 R
- 4,208,816 6/1980 West 37/141 R

FOREIGN PATENT DOCUMENTS

- 55-0148834 11/1980 Japan 37/142 R

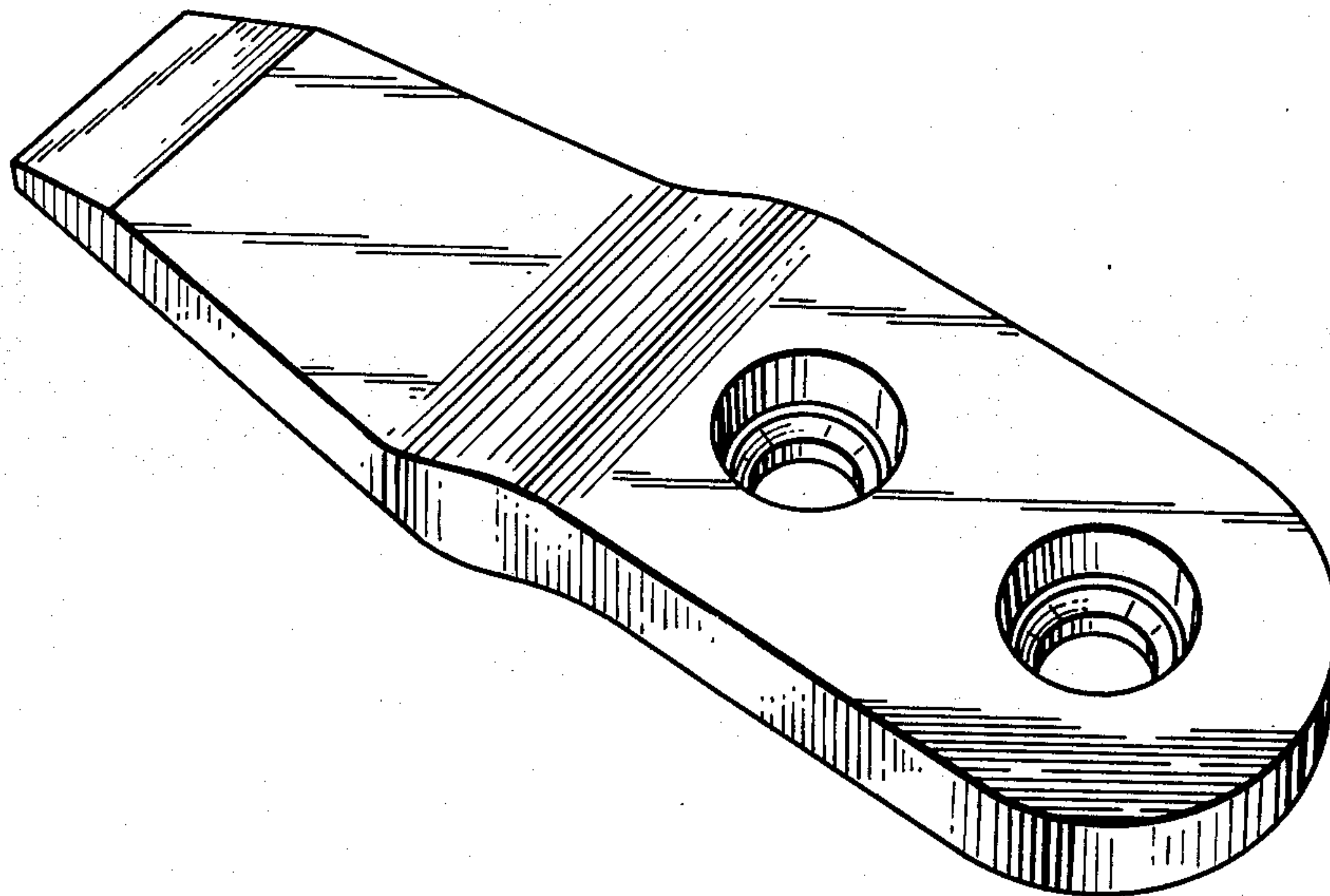
Primary Examiner—B. J. Bullock
 Assistant Examiner—Suzanne N. Gitlin
 Attorney, Agent, or Firm—Schwartz, Jeffery, Schwaab, Mack, Blumenthal & Evans

[57] CLAIM

The ornamental design for a tooth for buckets on digging and loading machines, substantially as shown.

DESCRIPTION

FIG. 1 is a perspective view of a tooth for buckets on digging and loading machines showing my new design; FIG. 2 is an end elevational view taken from the left of FIG. 1; FIG. 3 is an end elevational view taken from the right of FIG. 1; FIG. 4 is a top plan view thereof; FIG. 5 is a side elevational view thereof; FIG. 6 is a bottom plan view thereof.



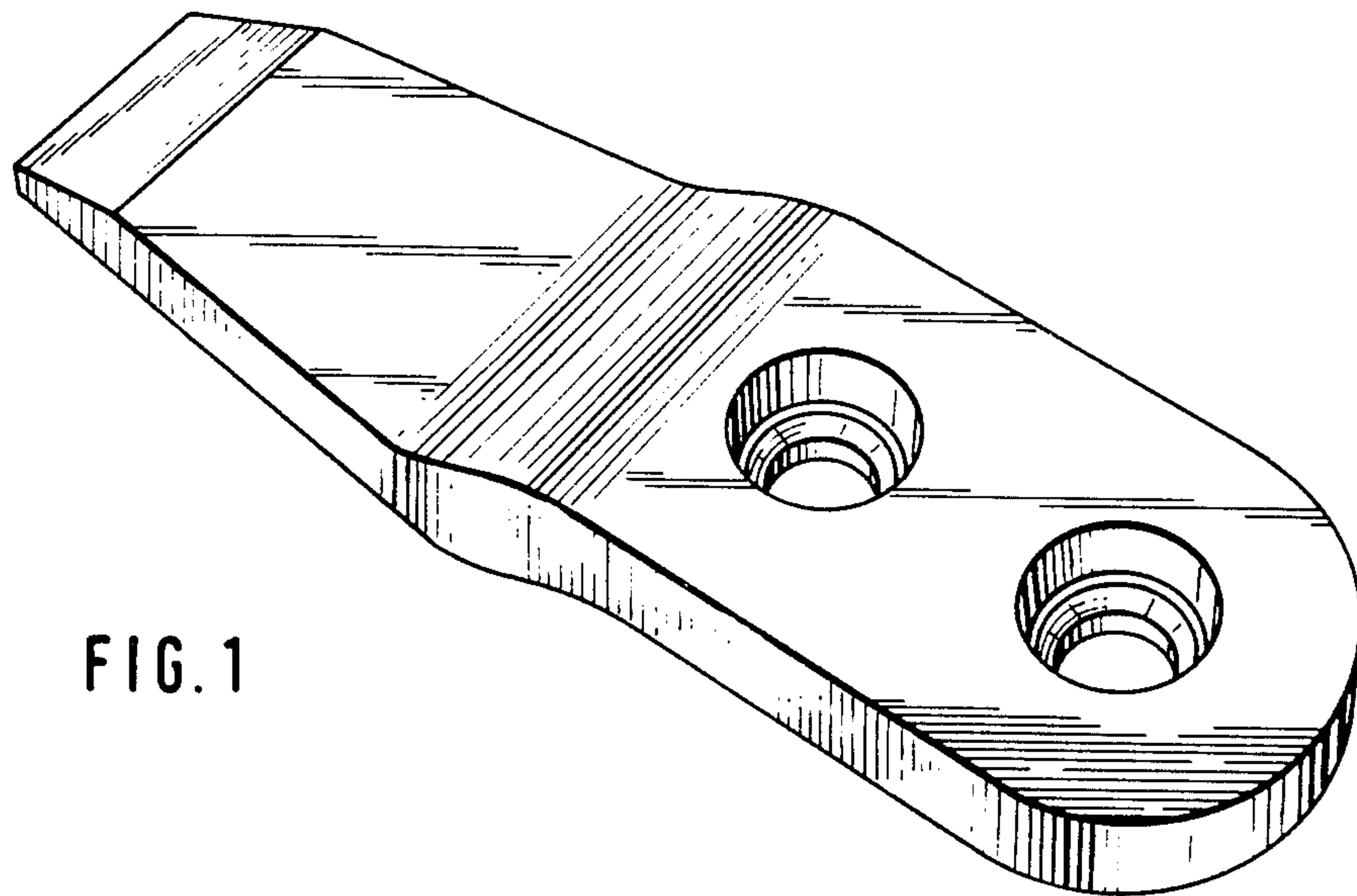


FIG. 1

FIG. 2

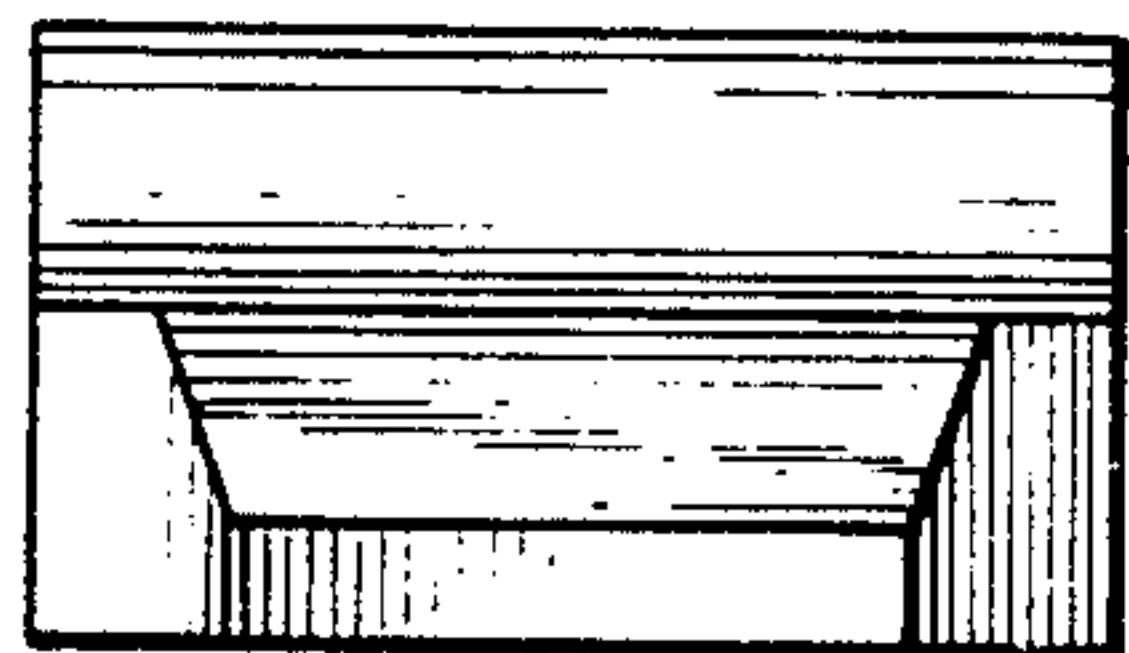
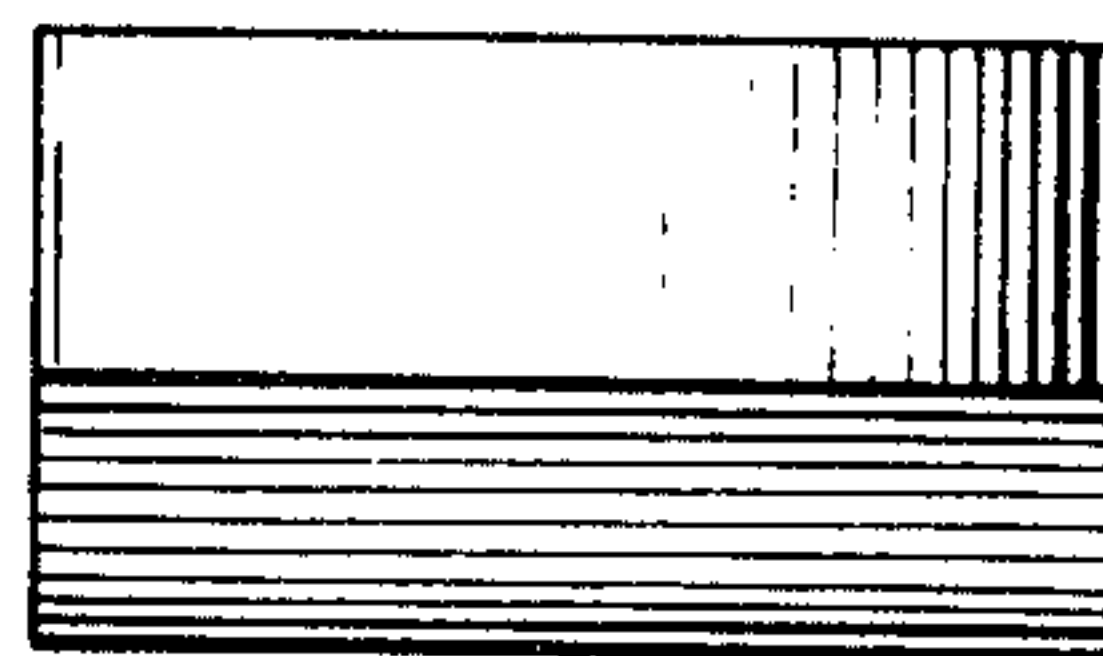


FIG. 3



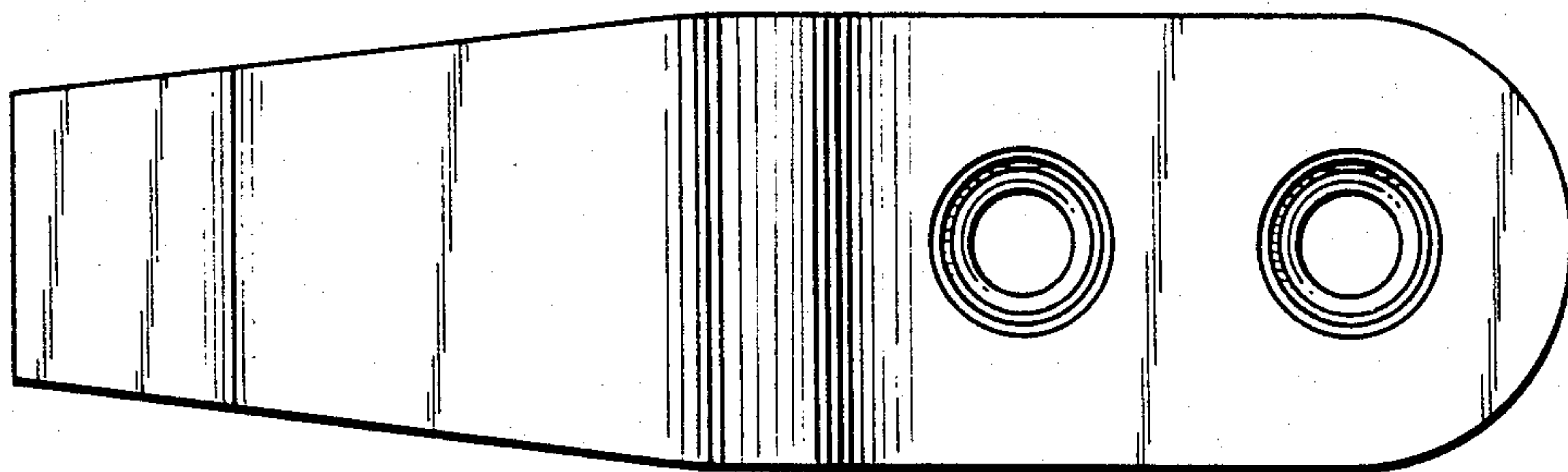


FIG. 4

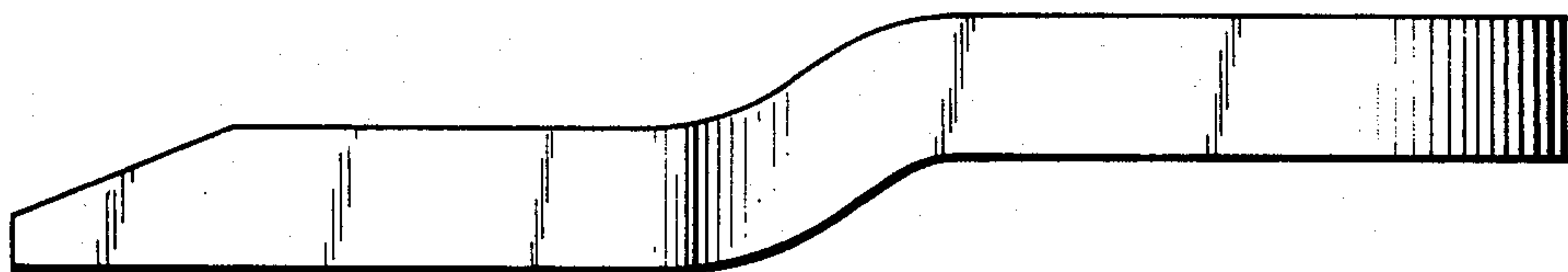


FIG. 5

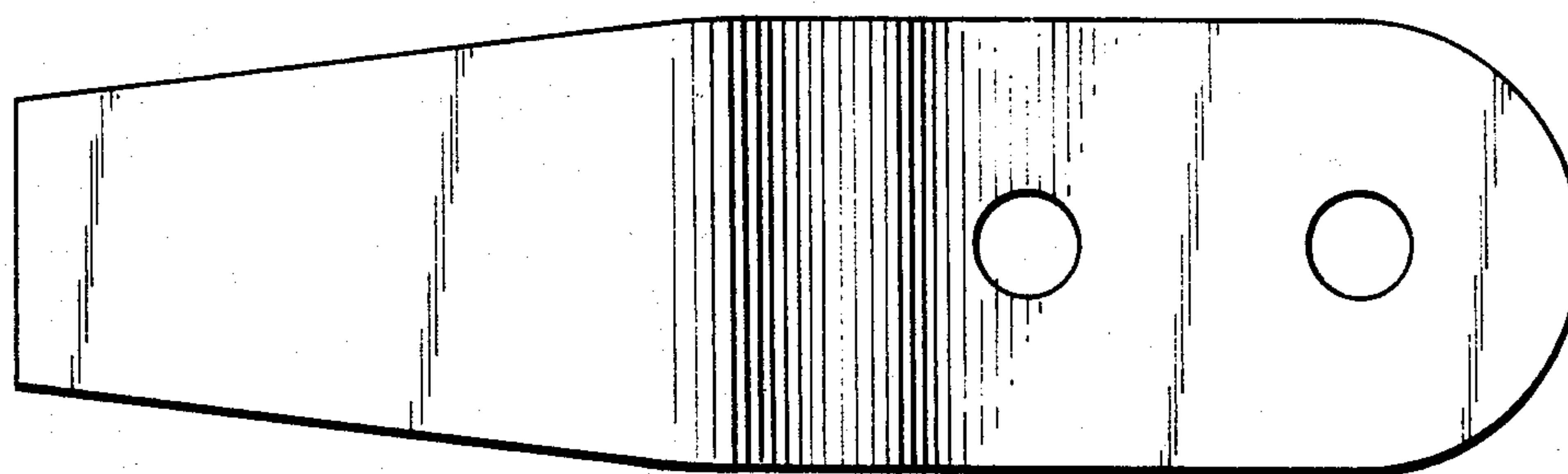


FIG. 6