

[54] TOOTH FOR BUCKETS ON DIGGING AND LOADING MACHINES

[75] Inventor: Olav Nja, Kverneland, Norway

[73] Assignee: Kverneland A/S, Kverneland, Norway

[**] Term: 14 Years

[21] Appl. No.: 542,409

[22] Filed: Oct. 17, 1983

[30] Foreign Application Priority Data

Apr. 29, 1983 [NO] Norway 63993

[52] U.S. Cl. D15/29

[58] Field of Search D15/10, 11, 28, 29, D15/25; 37/141 R, 141 T, 142 R, 142 A

[56] References Cited

U.S. PATENT DOCUMENTS

- D. 213,961 4/1879 Wheatly 37/142 R
- D. 275,681 9/1984 Nja D15/29
- D. 275,757 10/1984 Nja D15/29

- 1,461,136 7/1923 Moore 37/142 R
- 3,440,745 4/1969 Palm 37/141 R
- 3,755,933 9/1973 Lowrey 37/142 R

FOREIGN PATENT DOCUMENTS

- 55-0148834 11/1980 Japan 37/142 R

Primary Examiner—B. J. Bullock
 Assistant Examiner—Suzanne N. Gitlin
 Attorney, Agent, or Firm—Schwartz, Jeffery, Schwaab, Mack, Blumenthal & Evans

[57] CLAIM

The ornamental design for a tooth for buckets on digging and loading machines, substantially as shown and described.

DESCRIPTION

FIG. 1 is a perspective view of a tooth for buckets on digging and loading machines showing my new design; FIG. 2 is an end elevational view thereof; FIG. 3 is a top plan view thereof; FIG. 4 is a side elevational view thereof; FIG. 5 is a bottom plan view thereof.

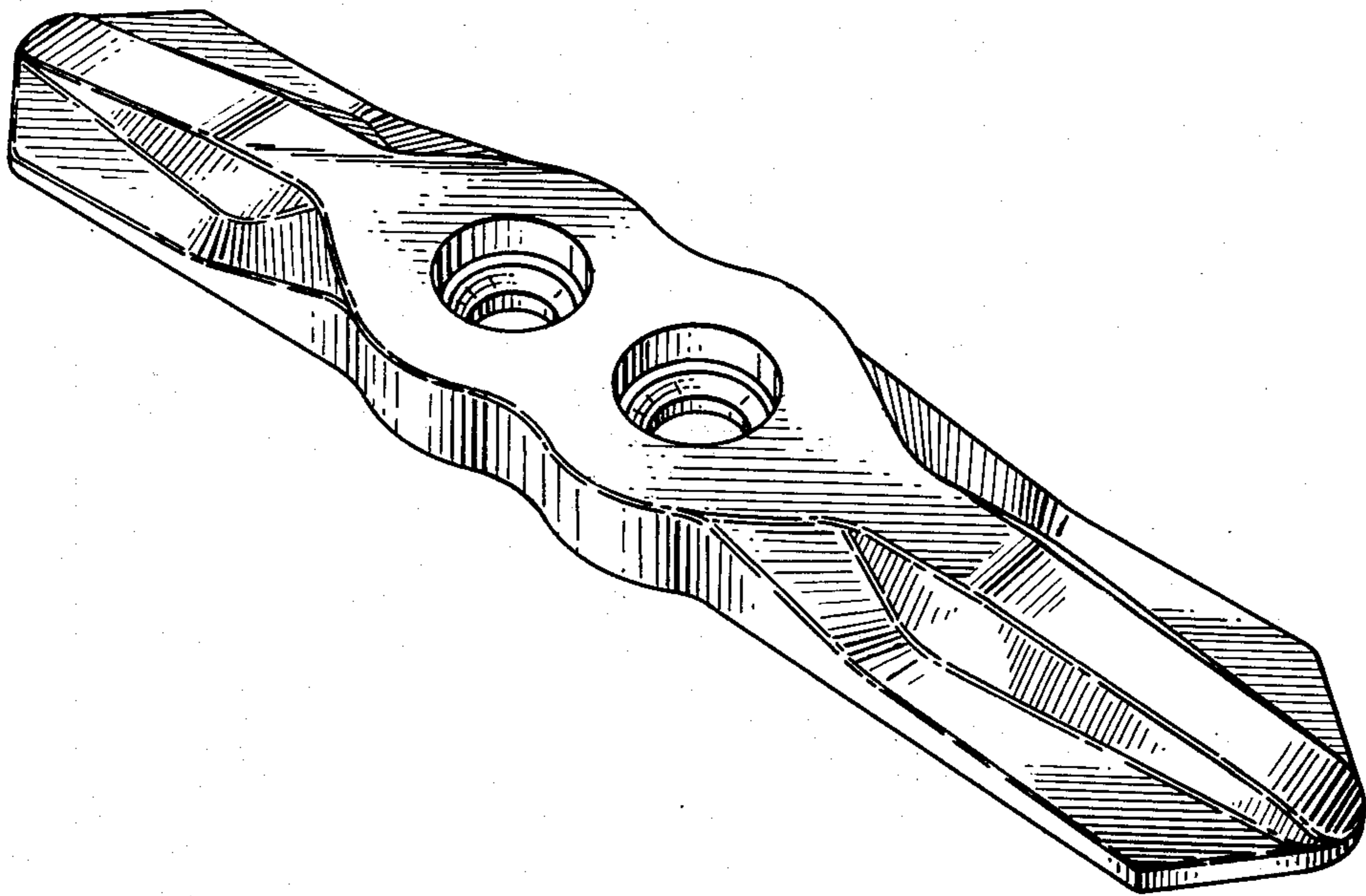


FIG. 1

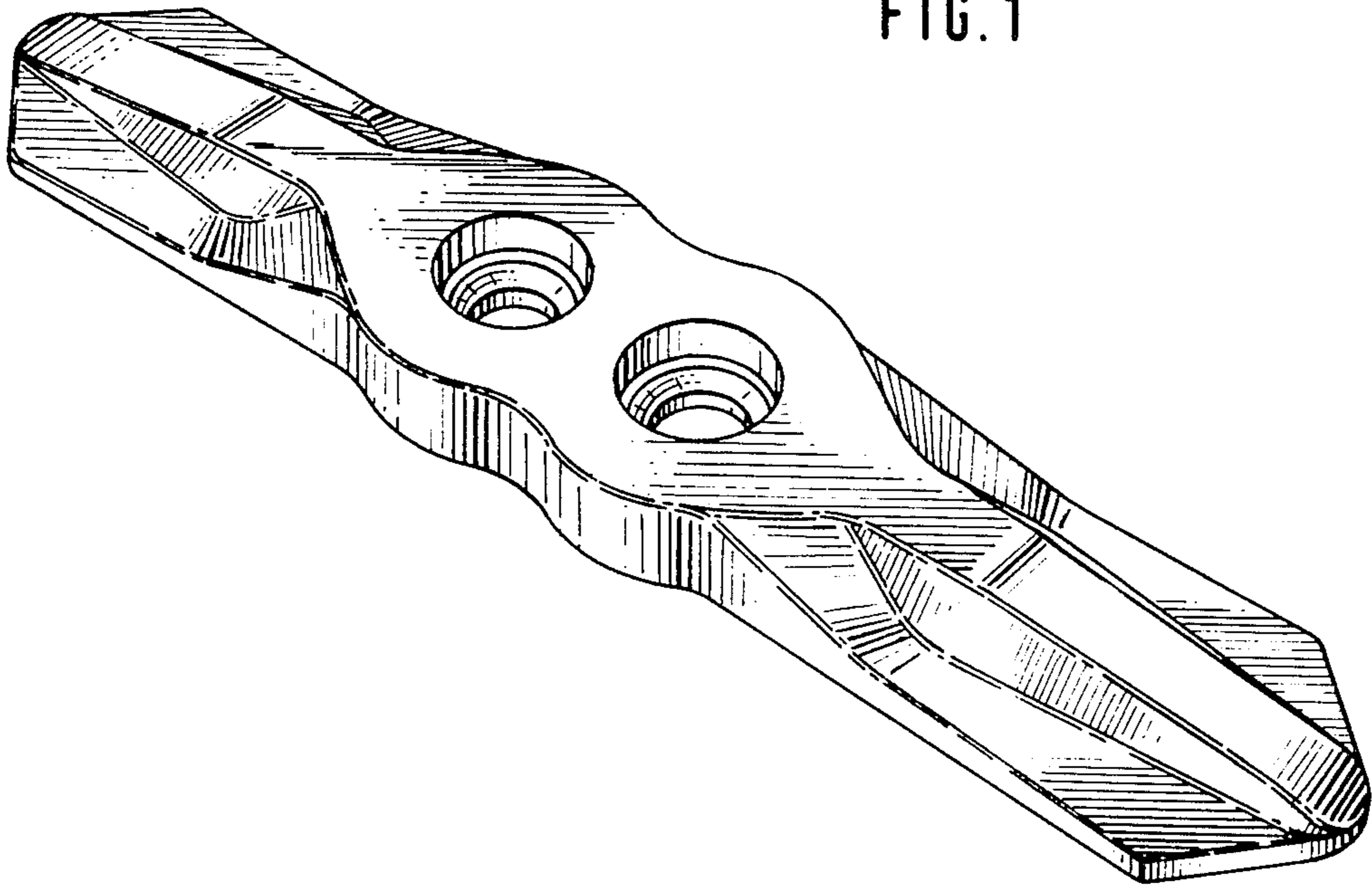


FIG. 2



FIG. 3

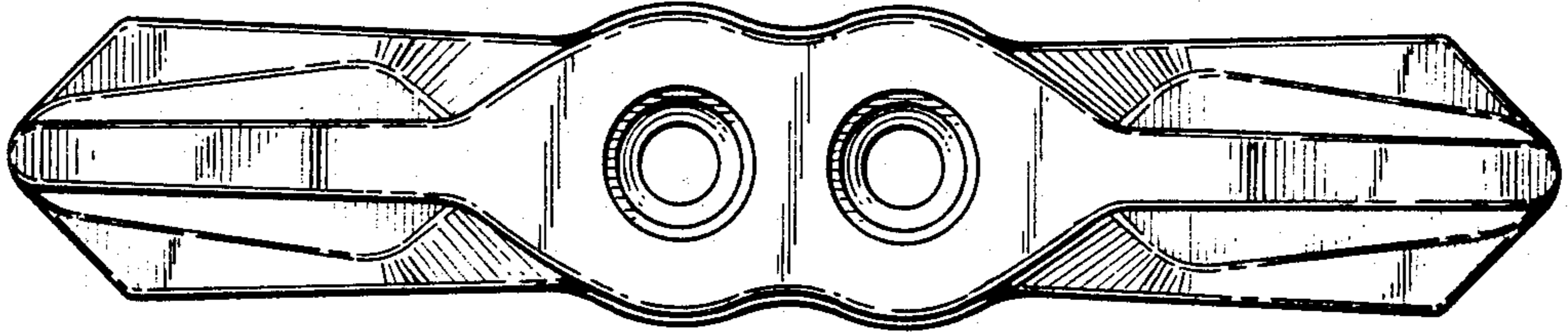


FIG. 4

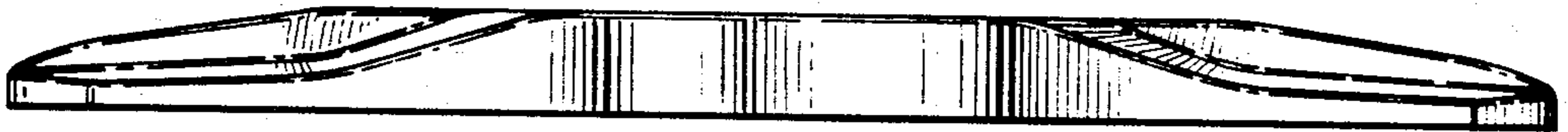


FIG. 5

