

[54] **AUTOMATED CREDIT CARD TERMINAL
ENCLOSURE FOR VEHICLE SERVICE
STATIONS**

[75] **Inventor: Robert Case, Chicago, Ill.**

[73] **Assignee: Atlantic Richfield Company,
Philadelphia, Pa.**

[**] **Term: 14 Years**

[21] **Appl. No.: 410,219**

[22] **Filed: Aug. 23, 1982**

[52] **U.S. Cl. D14/102**

[58] **Field of Search D14/100-116;
D13/40, 41; 361/330, 331, 332; 174/50;
235/379, 380, 381**

[56] **References Cited**

U.S. PATENT DOCUMENTS

D. 211,579 7/1968 Cordes, Jr. D14/102

D. 261,772 11/1981 Sawada D14/105 X
3,931,497 1/1976 Gentile et al. 235/381
4,085,313 4/1978 Van Ness 235/381
4,199,100 4/1980 Wostl et al. 235/381

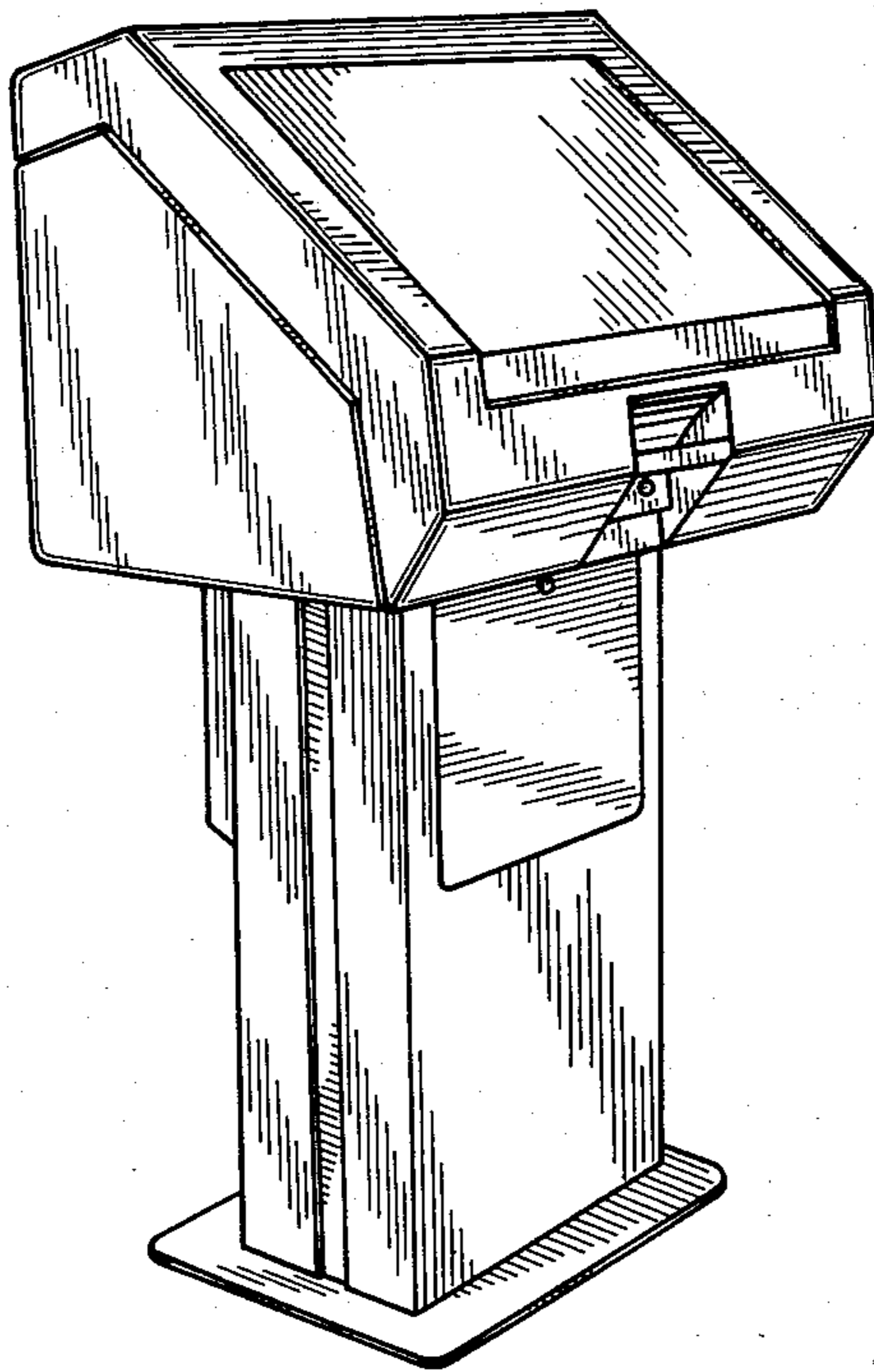
Primary Examiner—Susan J. Lucas
Attorney, Agent, or Firm—Donald L. Traut

[57] **CLAIM**

The ornamental design for an automated credit card terminal enclosure for vehicle service stations, as shown and described.

DESCRIPTION

FIG. 1 is a perspective view of an automated credit card terminal enclosure for vehicle service stations showing my new design;
FIG. 2 is a front elevational view thereof;
FIG. 3 is a left side elevational view thereof;
FIG. 4 is a top plan view thereof;
FIG. 5 is a rear elevational view thereof.



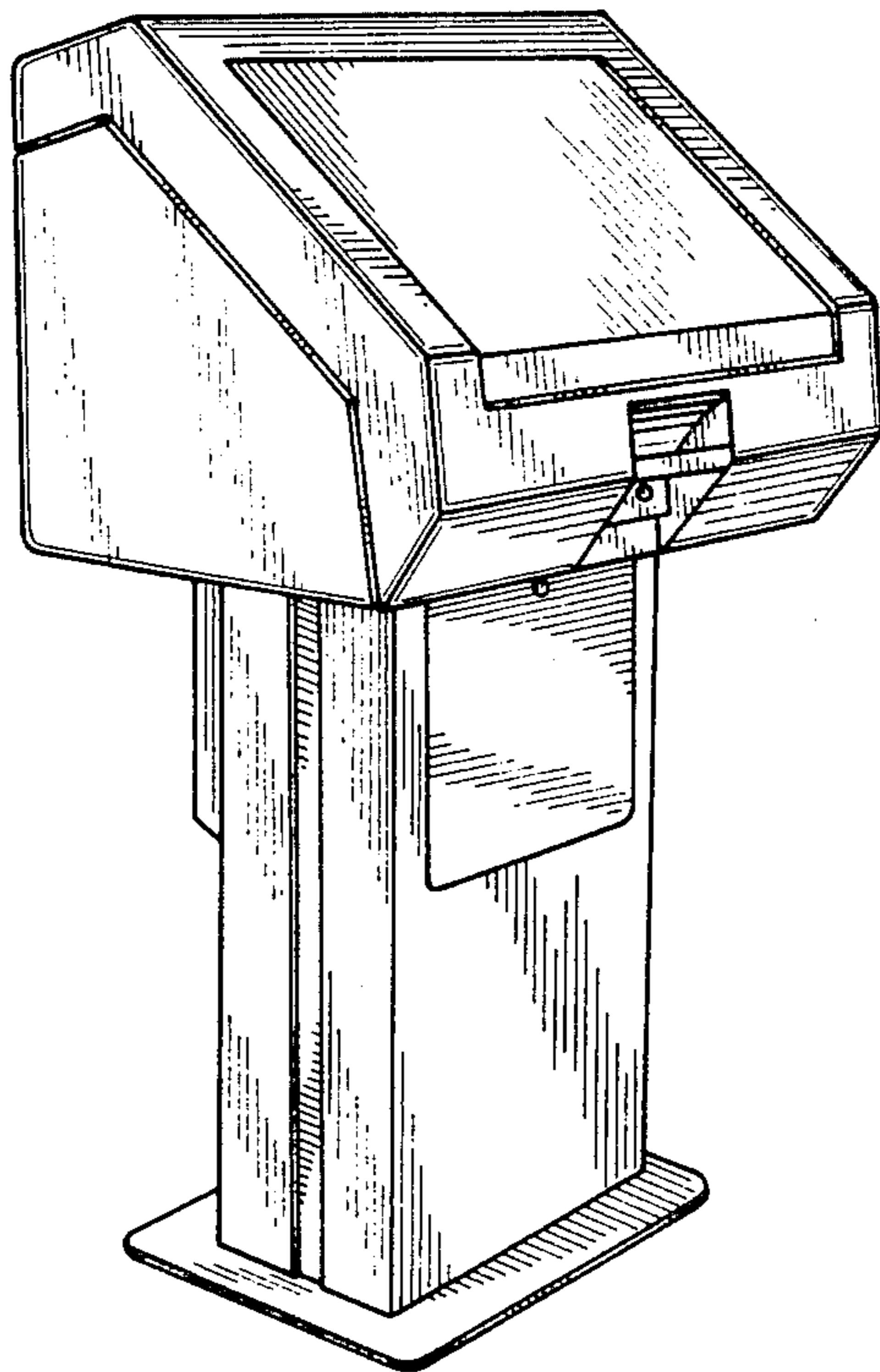


FIG. 1

FIG. 2

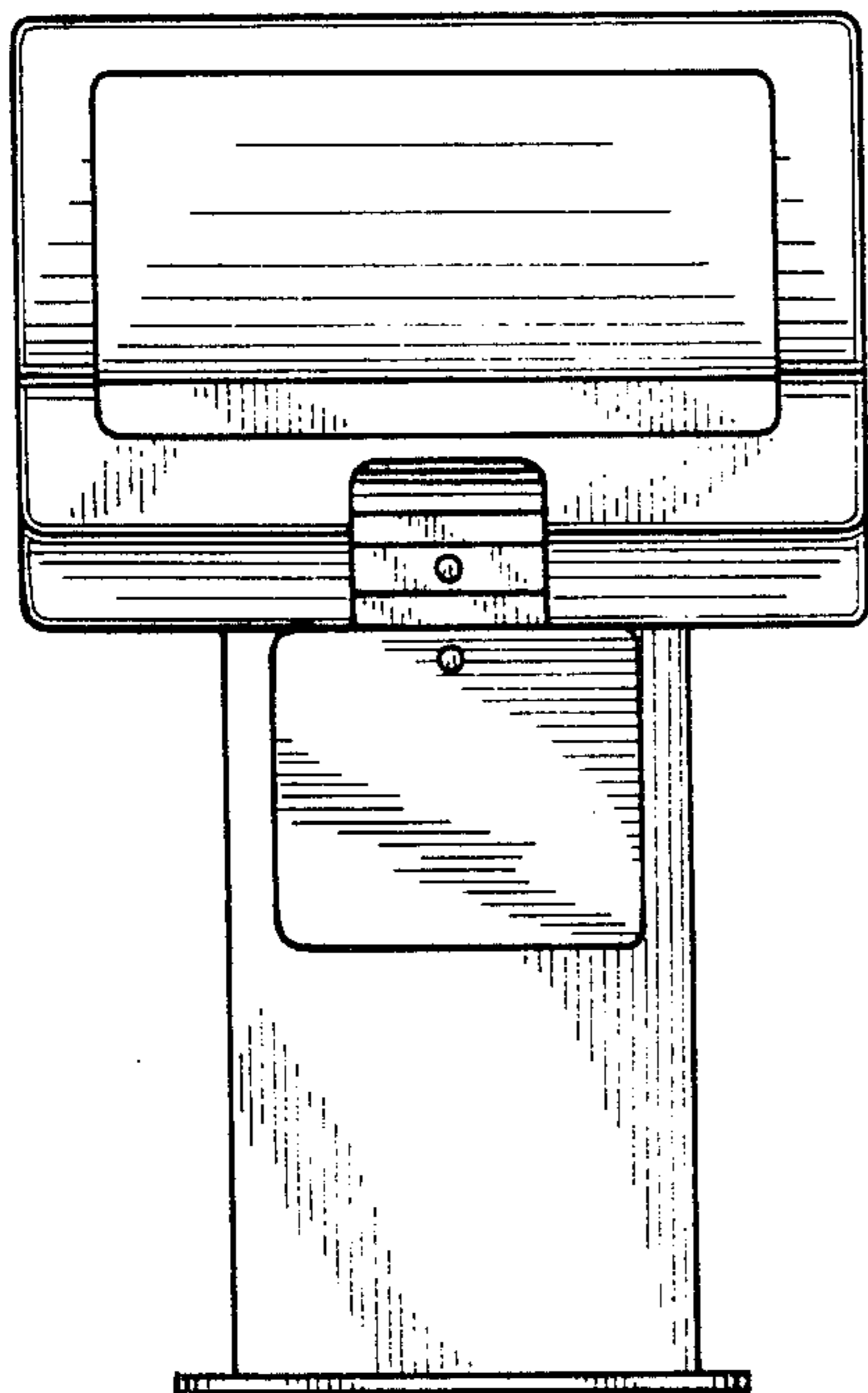


FIG. 3

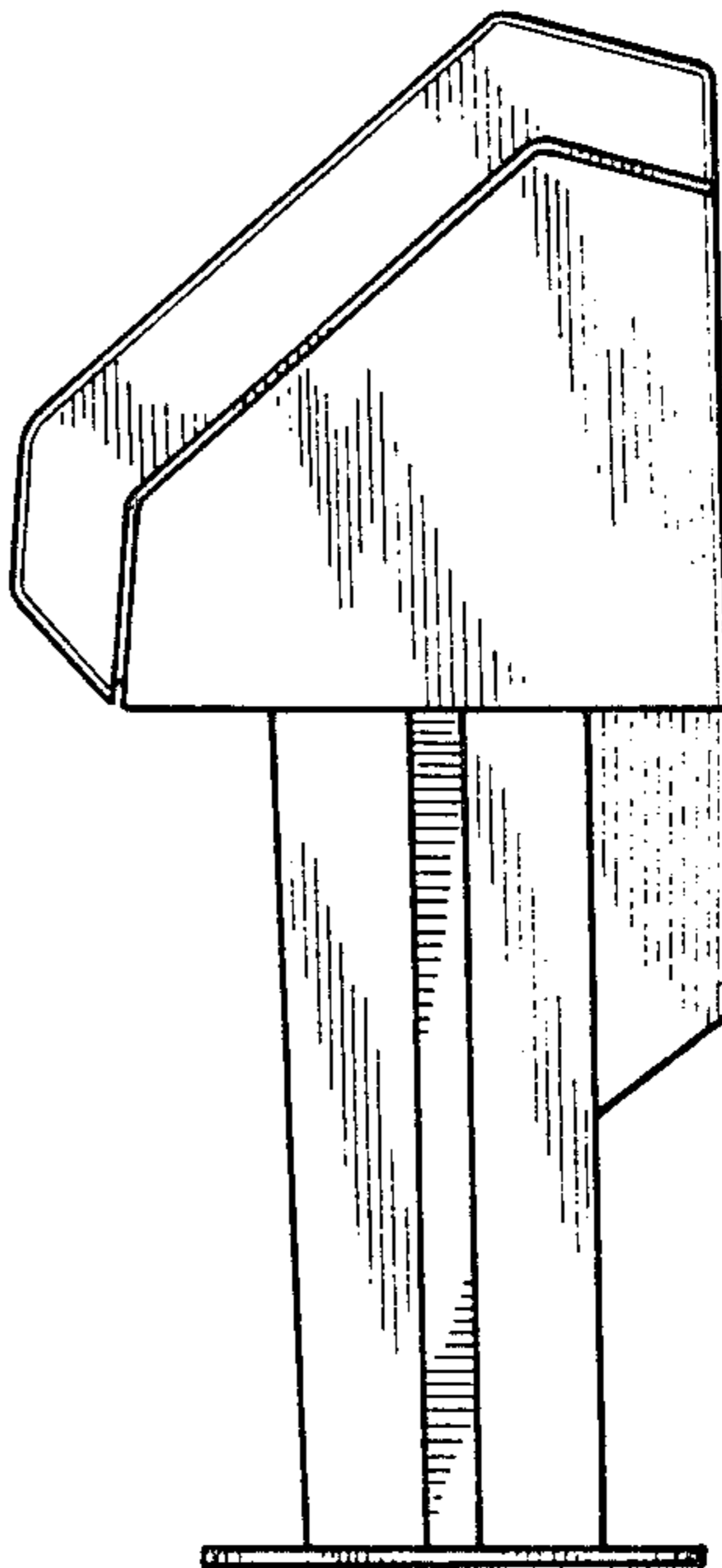


FIG. 4

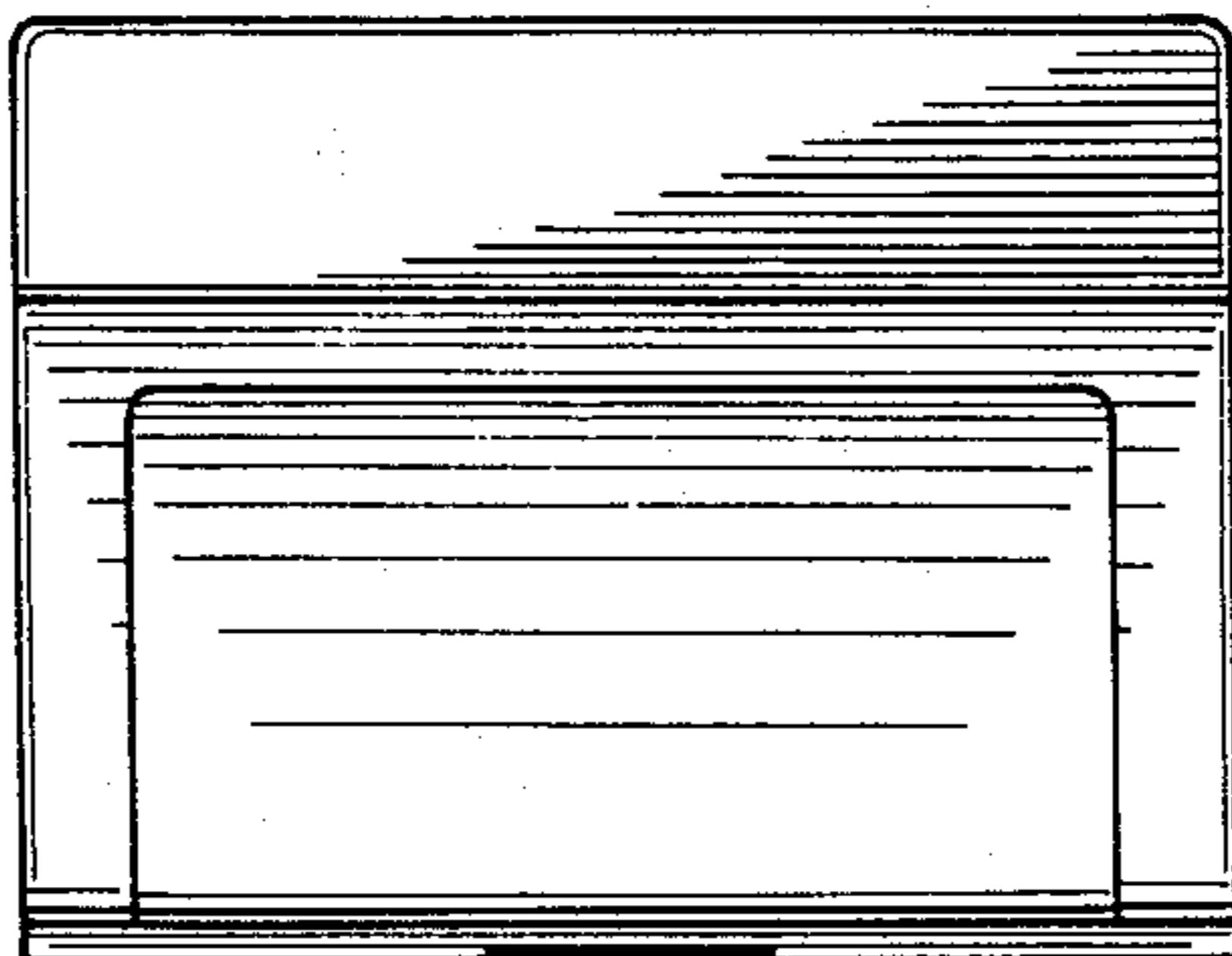


FIG. 5

