

[54] COMBINED TELEPHONE AND VISUAL DISPLAY UNIT

[76] Inventors: Laurent Menei, 16 Ave. Jean Lurcat, 49240 Avrille; Gérard Vergneau, 22 Rue de l'Eglise à Sorges, 49130 Les Ponts de ce, both of France

[**] Term: 14 Years

[21] Appl. No.: 443,991

[22] Filed: Nov. 23, 1982

[30] Foreign Application Priority Data

Jun. 1, 1982 [FR] France 821907

[52] U.S. Cl. D14/54; D14/106; D14/52

[58] Field of Search D14/52, 53, 59, 54, D14/60, 113, 106; 179/2 R, 2 DP, 100 R, 100 D, 179, 178; 358/85, 138; D13/35

[56] References Cited

U.S. PATENT DOCUMENTS

D. 195,408 6/1963 Prescott D14/54

D. 243,619	3/1977	Olsson	D14/53
D. 244,205	5/1977	Benham et al.	D14/113
D. 251,427	3/1979	Harrison	D14/52
D. 265,311	7/1982	Read et al.	D14/60
D. 267,945	2/1983	Sawaya	D14/54
D. 273,294	4/1984	Moraine	D14/106
D. 274,059	5/1984	Hall et al.	D14/54
D. 275,196	8/1984	Huang	D14/54
3,116,365	12/1963	Prescott	358/85
3,419,674	12/1968	Burns et al.	358/85

Primary Examiner—Wallace R. Burke

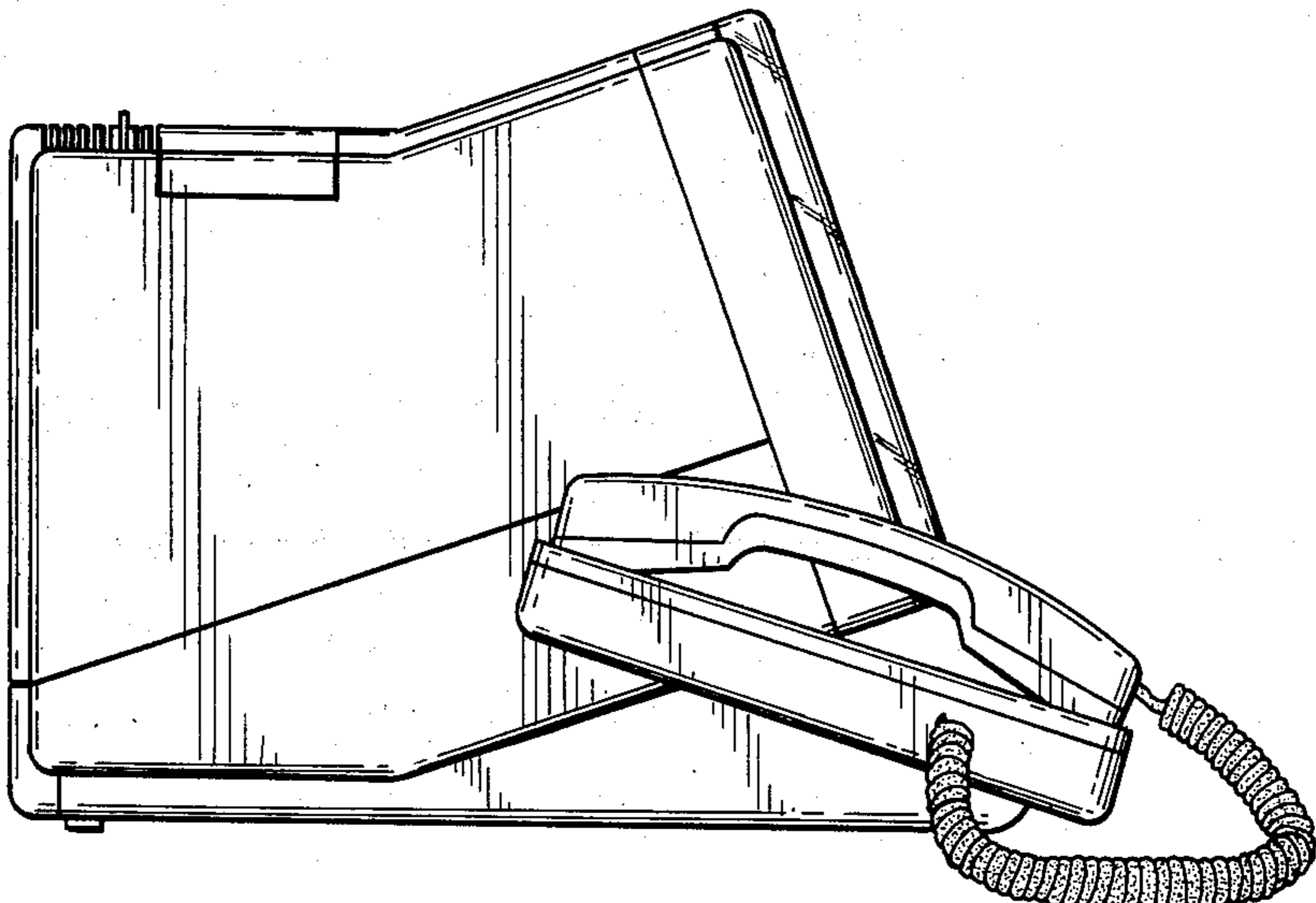
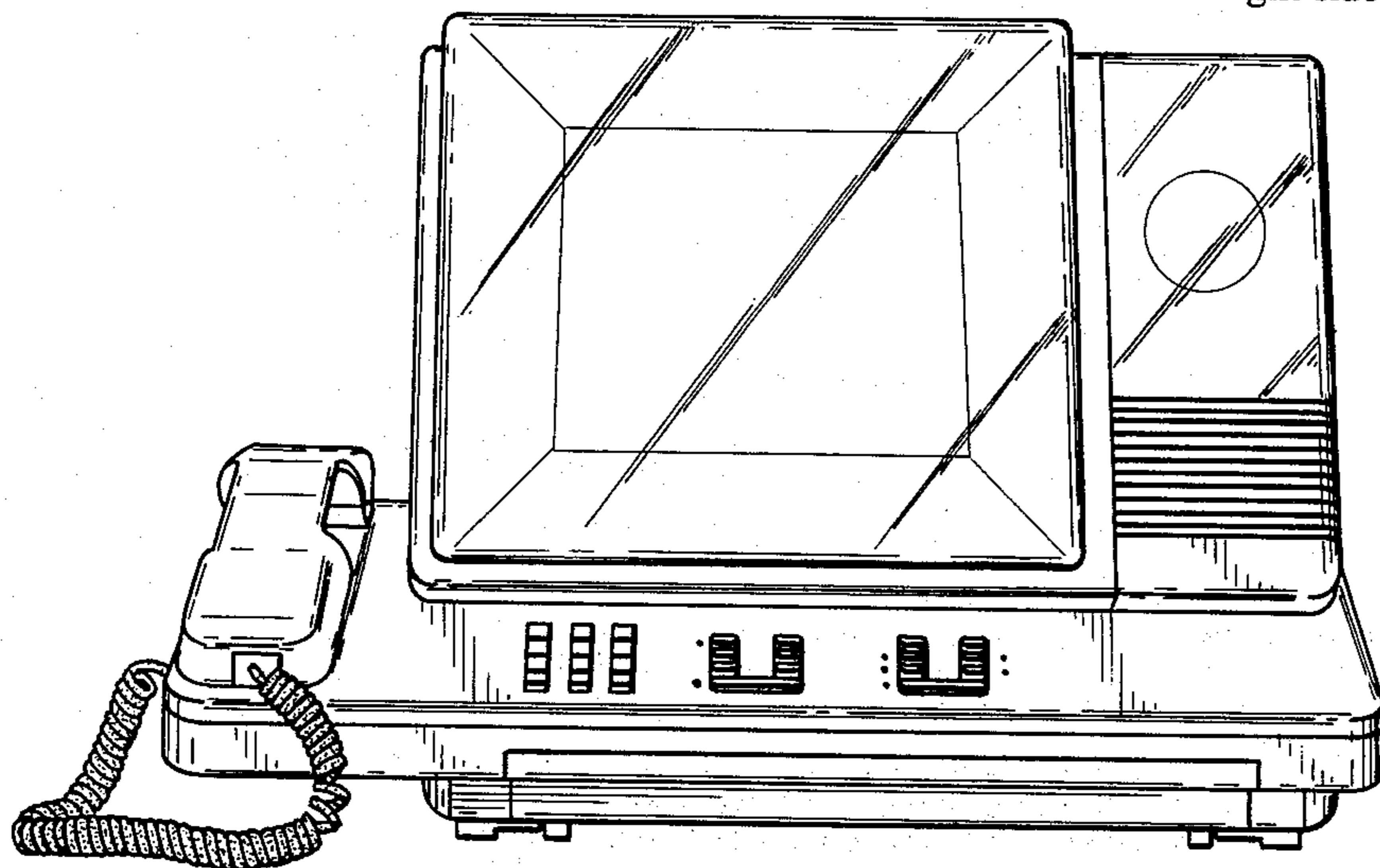
Assistant Examiner—Horace B. Fay

[57] CLAIM

The ornamental design for a combined telephone and visual display unit, as shown.

DESCRIPTION

FIG. 1 is a front elevational view of a combined telephone and visual display unit showing our new design; FIG. 2 is a rear elevational view; FIG. 3 is a bottom view; FIG. 4 is a top view; FIG. 5 is a left-side view; and FIG. 6 is a right-side view.



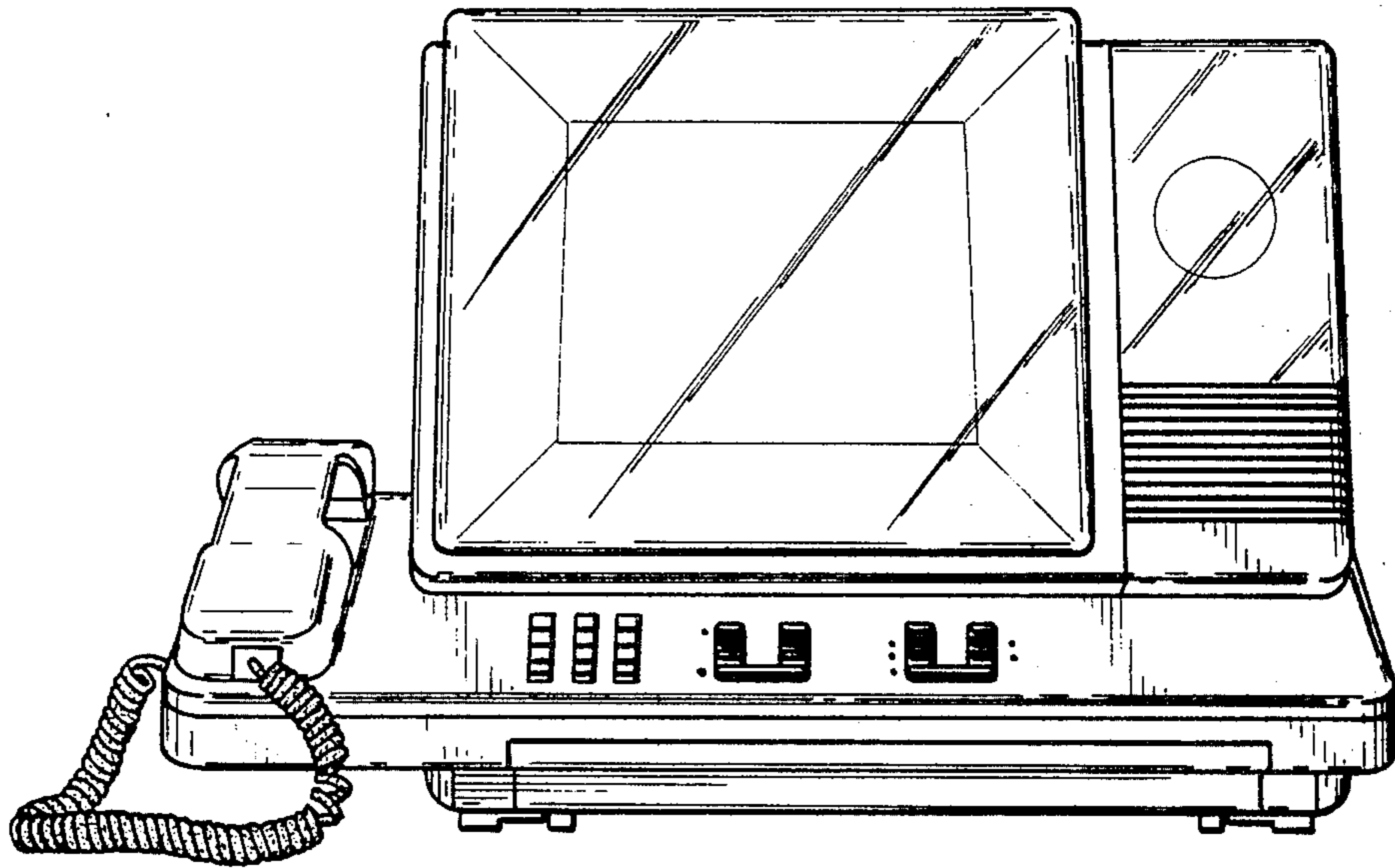


FIG. 1

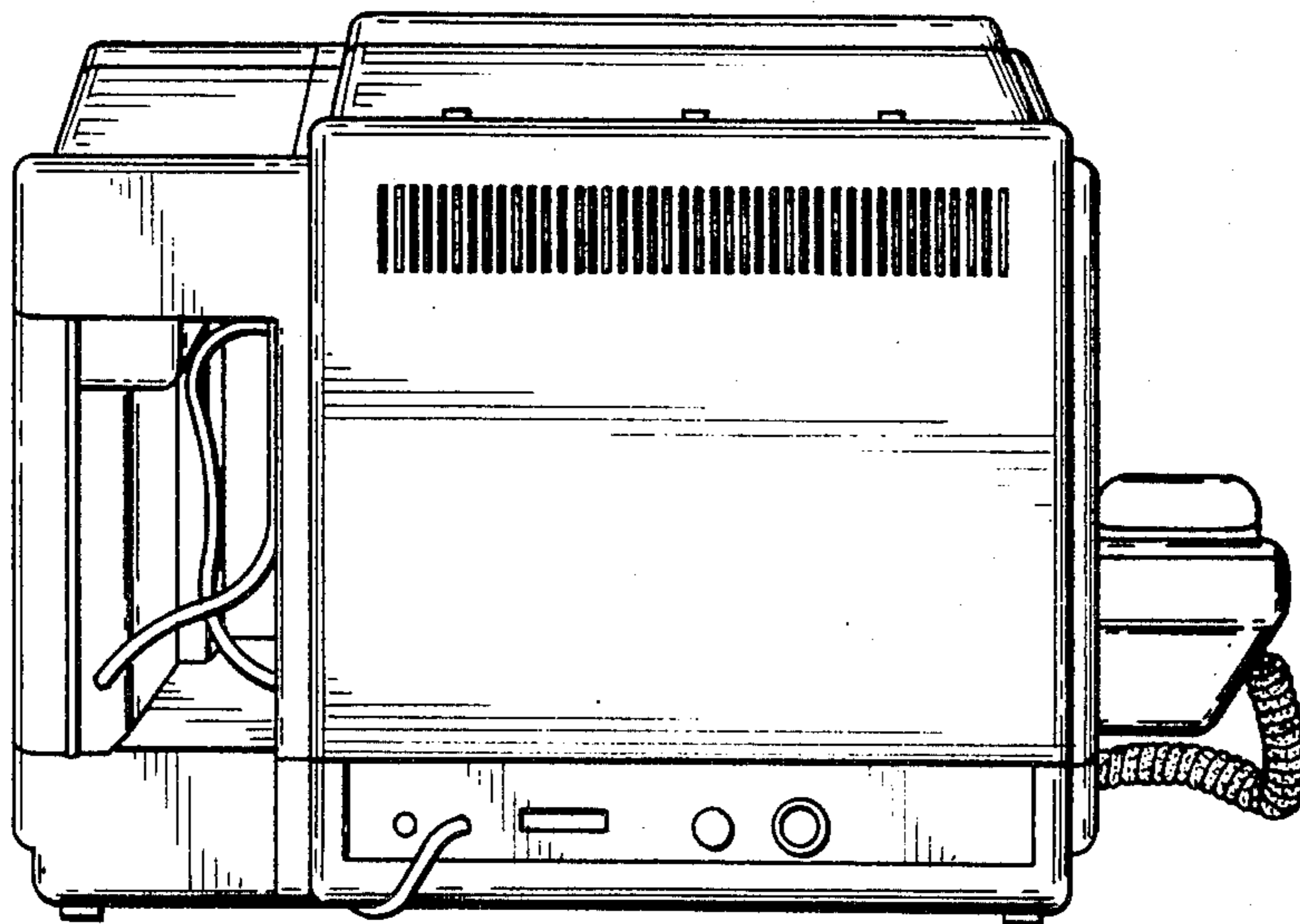


FIG. 2

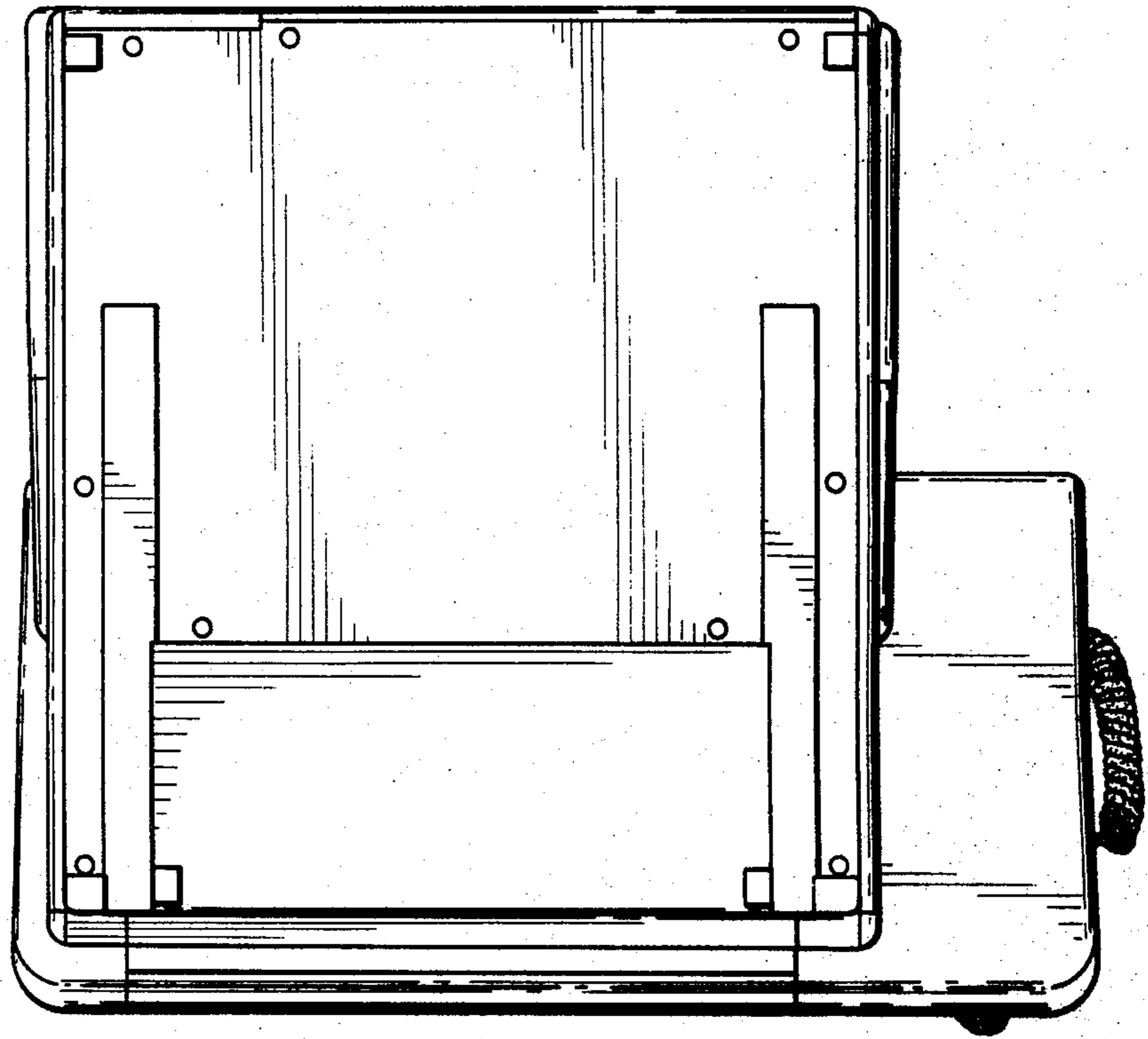


FIG. 3

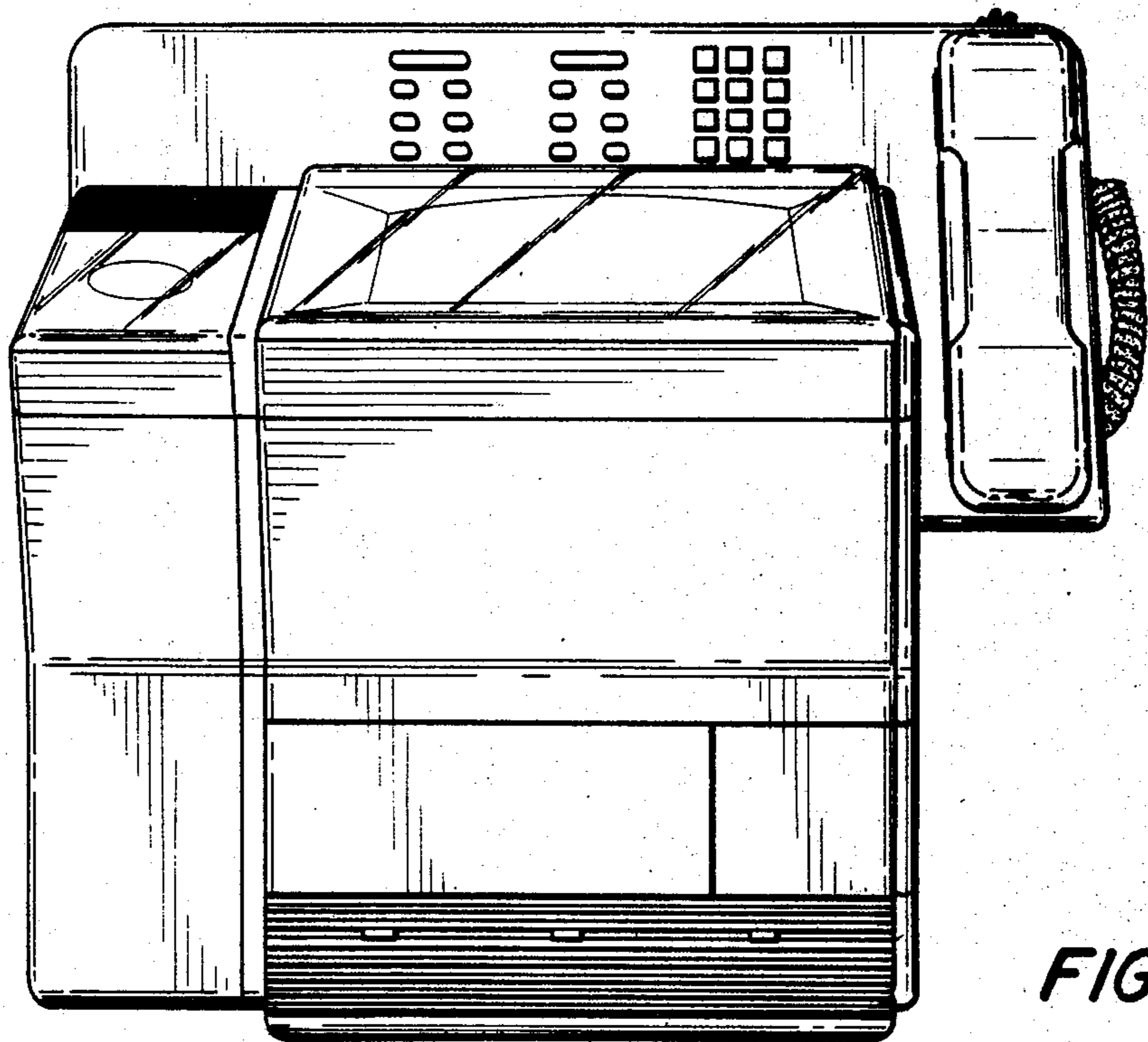


FIG. 4

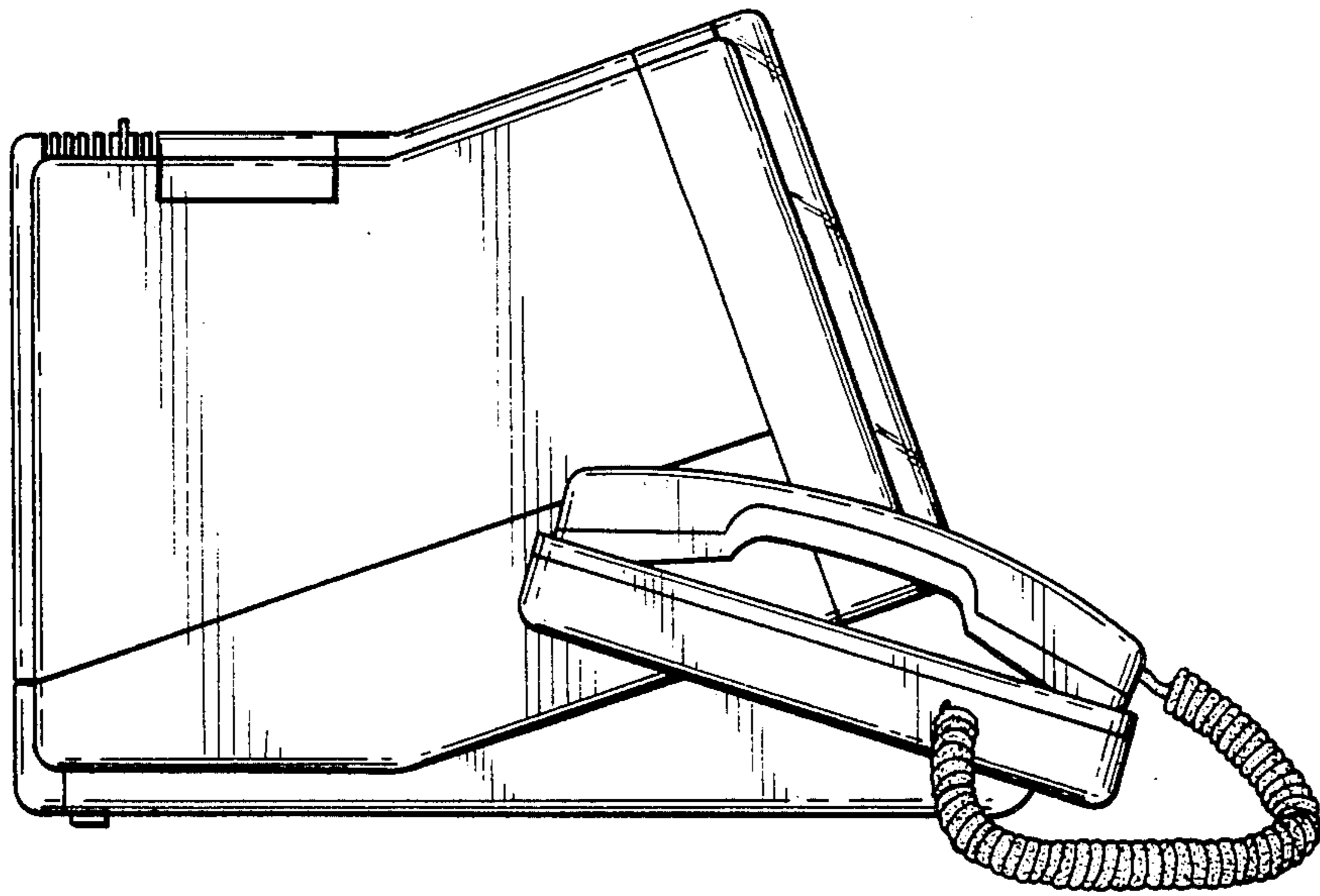


FIG. 5

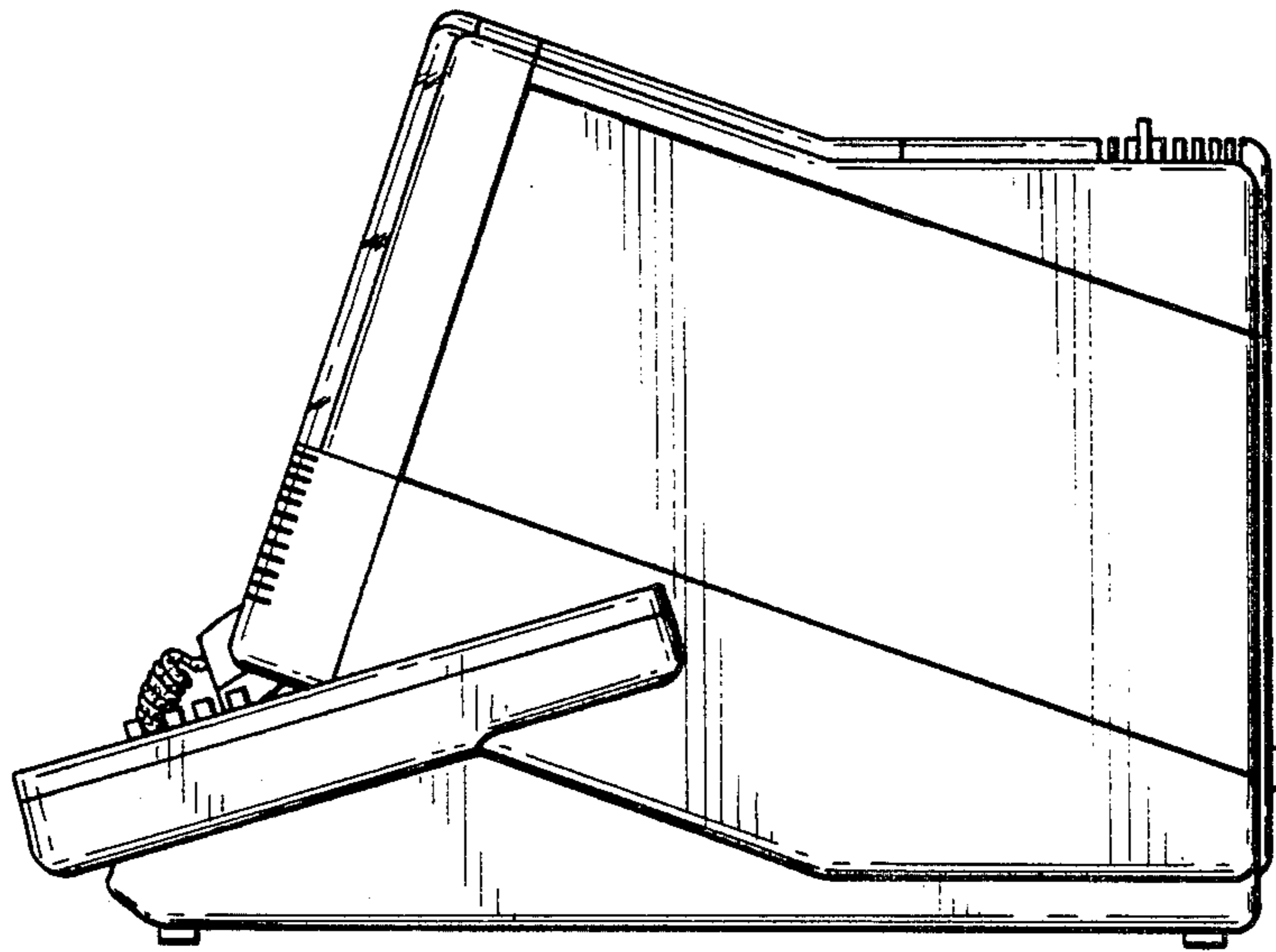


FIG. 6