

[54] **WATCH BAND**

[75] **Inventor: Jiro Matsuo, Tokyo, Japan**

[73] **Assignee: Citizen Watch Co., Ltd., Tokyo, Japan**

[\*\*] **Term: 14 Years**

[21] **Appl. No.: 526,147**

[22] **Filed: Aug. 24, 1983**

[30] **Foreign Application Priority Data**

Jun. 23, 1983 [JP] Japan ..... 58-27178

[52] **U.S. Cl. .... D11/4**

[58] **Field of Search ..... D10/32; D11/3, 4, 19-21, D11/25, 87, 1, 2, 86; 63/3-11, 1 R-2**

[56] **References Cited**

**U.S. PATENT DOCUMENTS**

D. 244,432 5/1977 Haber ..... D10/32  
345,767 7/1886 Buckley ..... D11/4 X

3,422,507 1/1969 Ikeda ..... D11/3 X

**FOREIGN PATENT DOCUMENTS**

721200 5/1942 Fed. Rep. of Germany ..... 63/4

*Primary Examiner—Louis S. Zarfes*

*Attorney, Agent, or Firm—Koda and Androlia*

[57] **CLAIM**

The ornamental design for a watch band, as substantially shown and described.

**DESCRIPTION**

FIG. 1 is a front elevational view of a watch band showing my new design;  
FIG. 2 is a rear elevational view thereof;  
FIG. 3 is a cross sectional view taken along the arrow A—A in FIG. 1;  
FIG. 4 is a top plan view thereof;  
FIG. 5 is a left side elevational view thereof;  
FIG. 6 is a right side elevational view thereof; and  
FIG. 7 is a perspective view thereof.

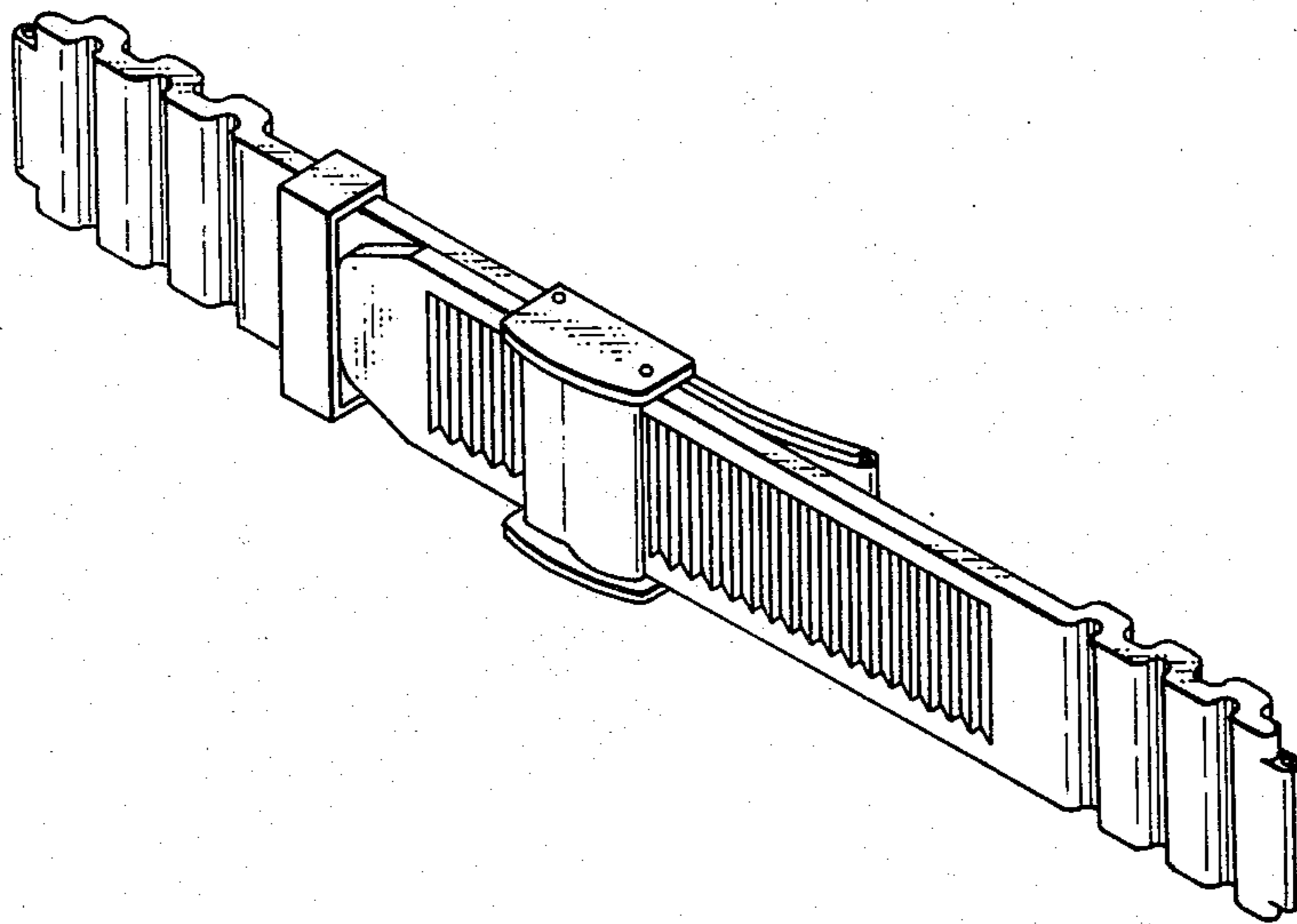


FIG. 1

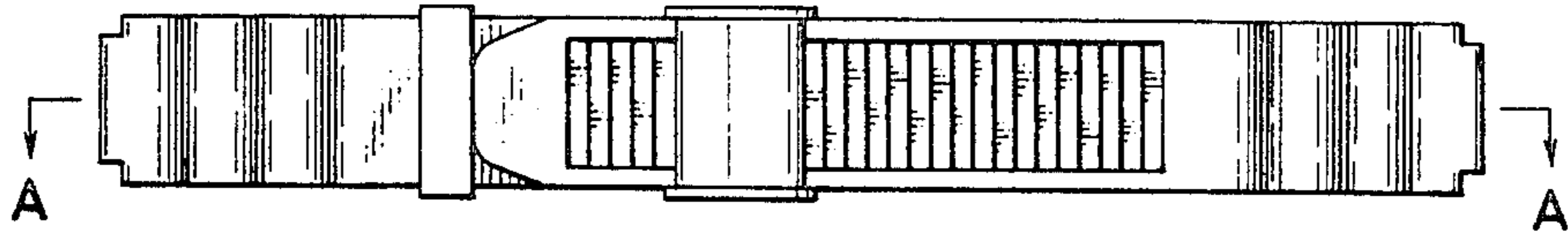


FIG. 2

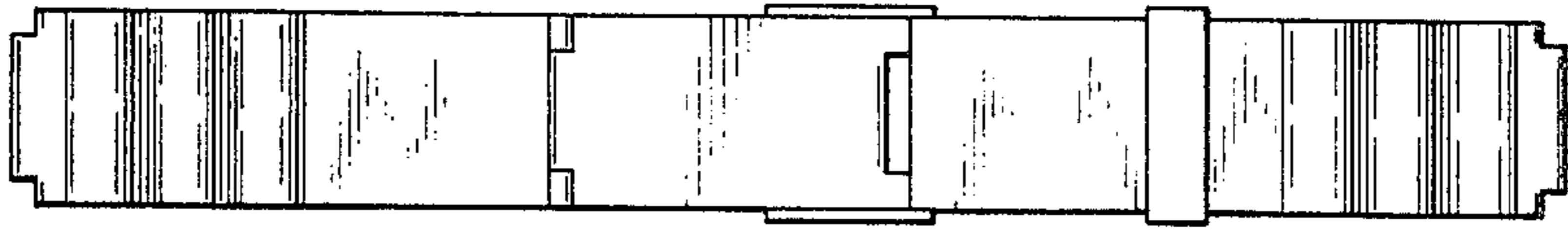


FIG. 3



FIG. 4

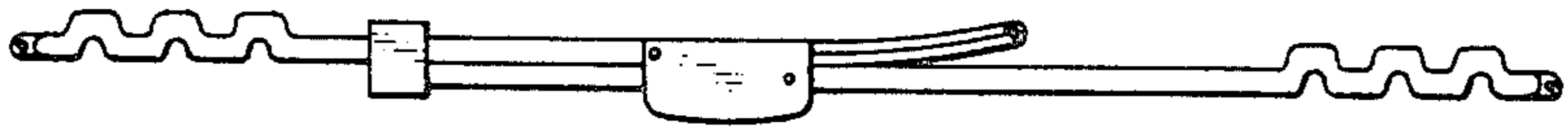


FIG. 5



FIG. 6



FIG. 7

