

United States Patent [19]

Hicks

[11] Patent Number: **Des. 279,554**

[45] Date of Patent: **** Jul. 9, 1985**

[54] **FLUID METER INSTRUMENT COVER**

[75] Inventor: **Irwin A. Hicks, Radnor, Pa.**

[73] Assignee: **The Singer Company, Stamford, Conn.**

[**] Term: **14 Years**

[21] Appl. No.: **491,501**

[22] Filed: **May 4, 1983**

[52] U.S. Cl. **D10/103; D10/46; D10/74**

[58] Field of Search **D10/49-56, D10/46, 96, 99-102, 103, 122, 132; 73/201, 273, 431, 432**

[56] **References Cited**

U.S. PATENT DOCUMENTS

D. 119,748 4/1940 Ford D10/57

3,430,498 3/1969 Goodwin 73/431
4,327,760 5/1982 Lancaster 73/201 X

Primary Examiner—Nelson C. Holtje
Attorney, Agent, or Firm—David L. Davis; Robert E. Smith; Edward L. Bell

[57] CLAIM

The ornamental design for a fluid meter instrument cover, as shown and described.

DESCRIPTION

FIG. 1 is a front perspective view of a fluid meter instrument cover showing my new design; FIG. 2 is a right side elevational view thereof; FIG. 3 is a left side elevational view thereof; FIG. 4 is a front elevational view thereof; FIG. 5 is a top plan view thereof; FIG. 6 is a bottom plan view thereof; and FIG. 7 is a rear elevational view thereof.

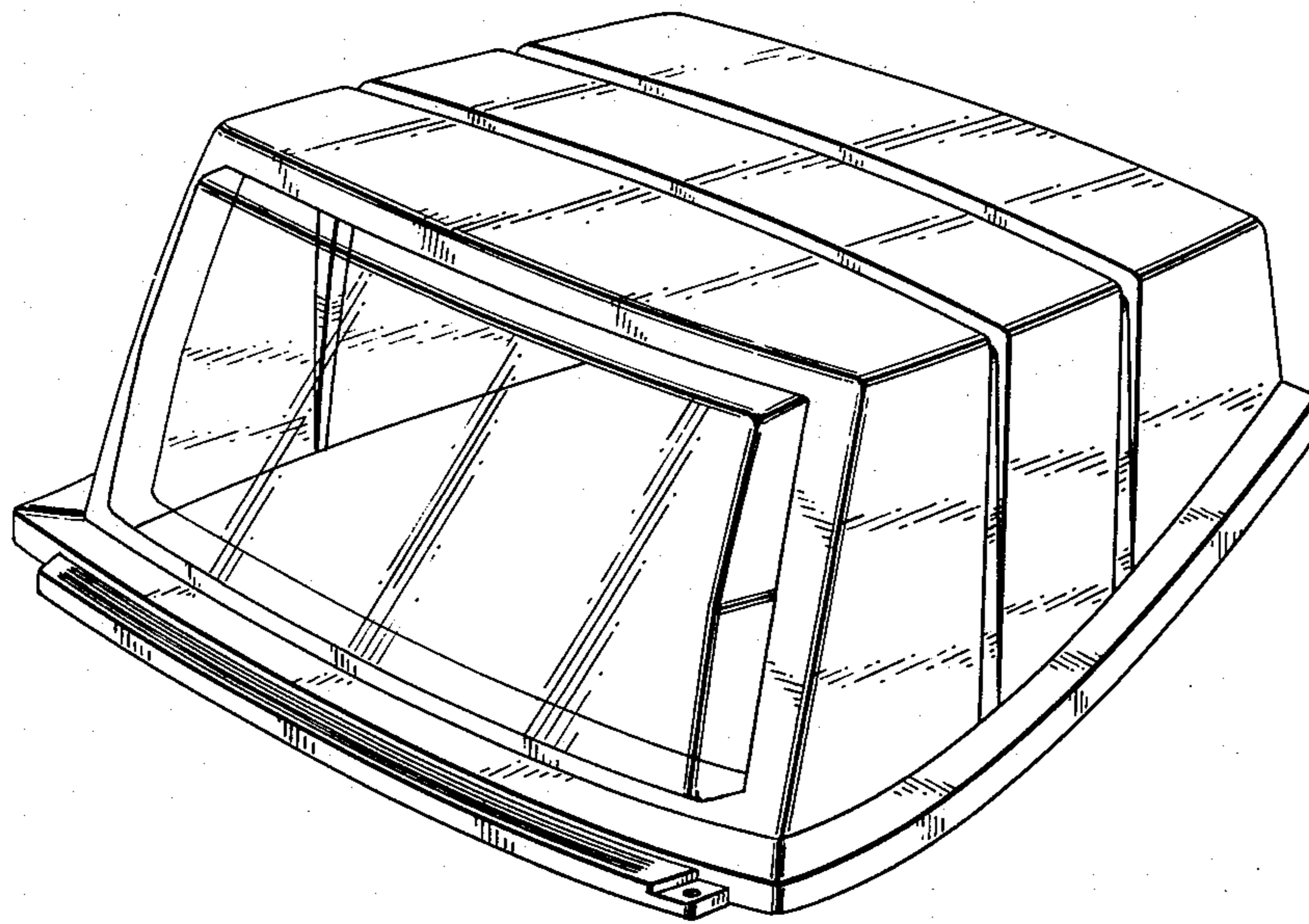


Fig. 1

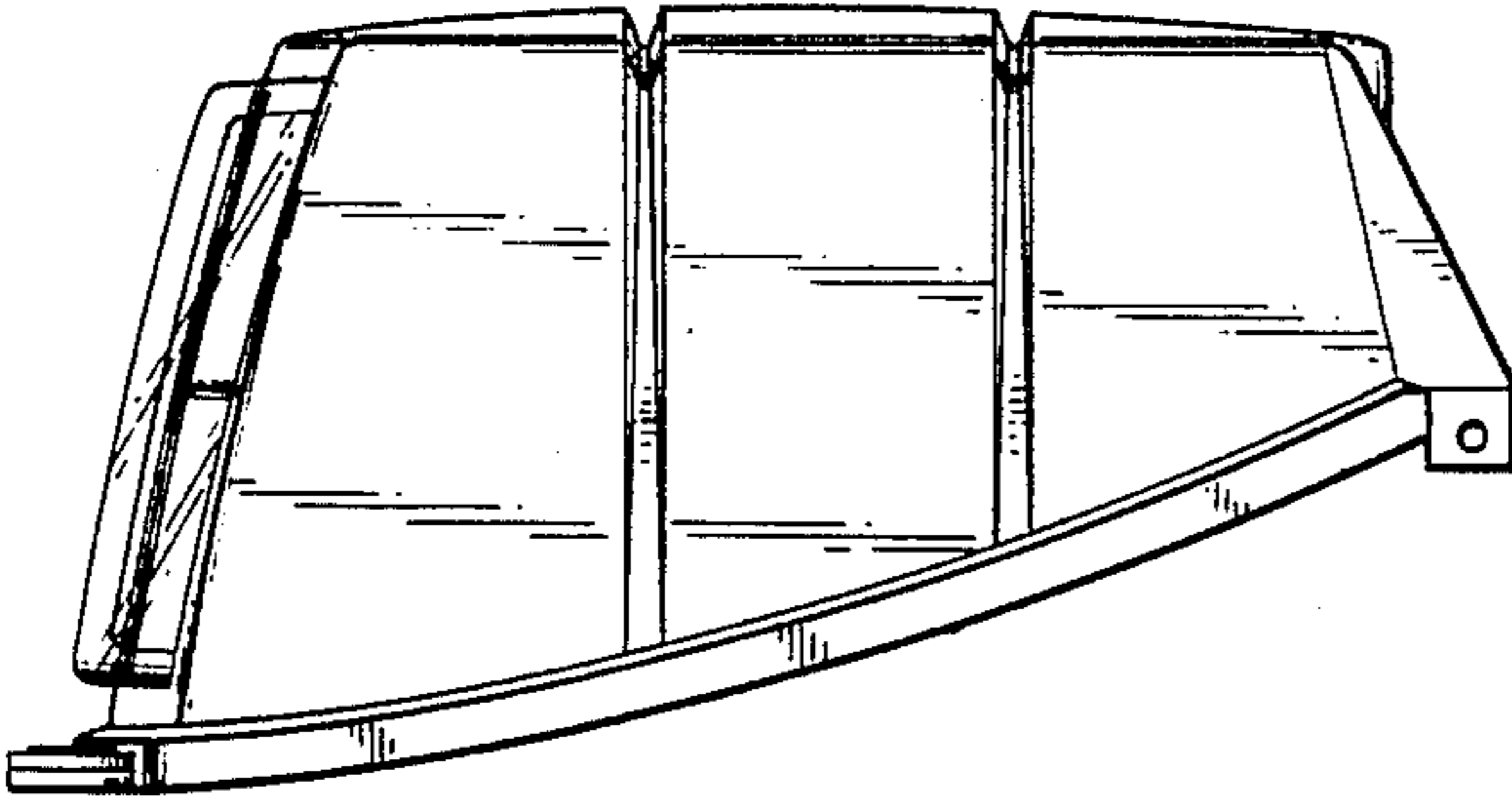
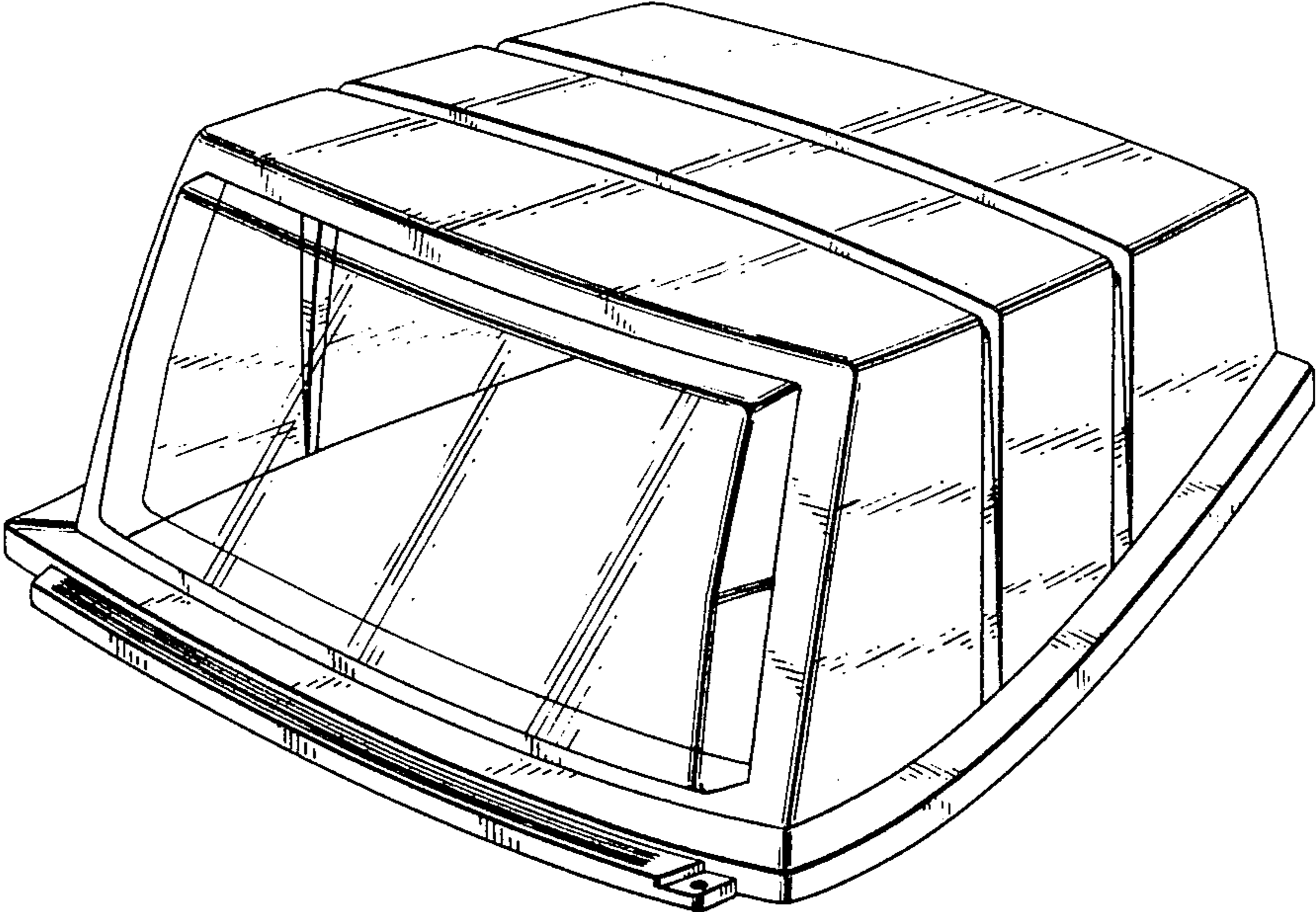


Fig. 2

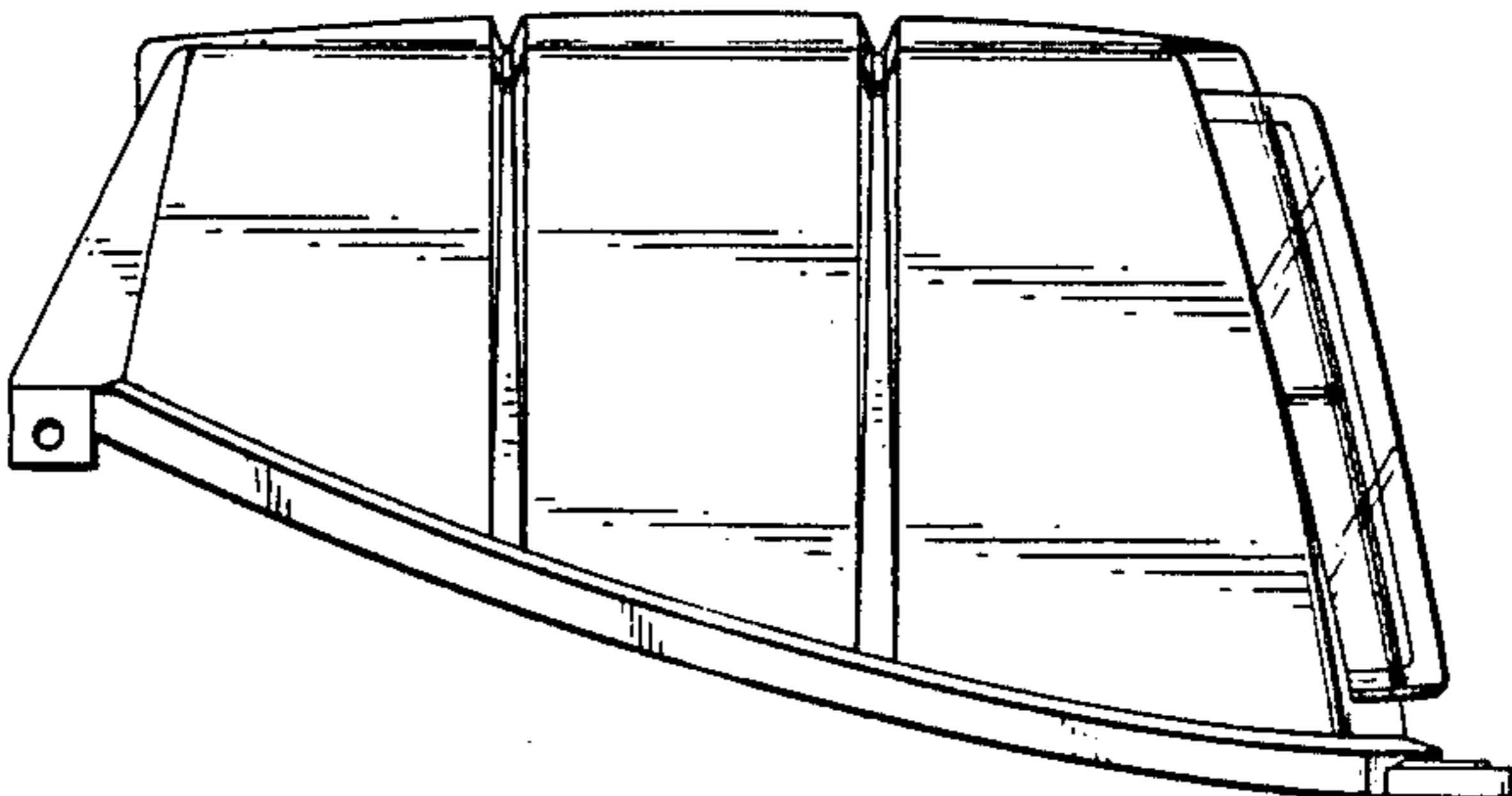


Fig. 3

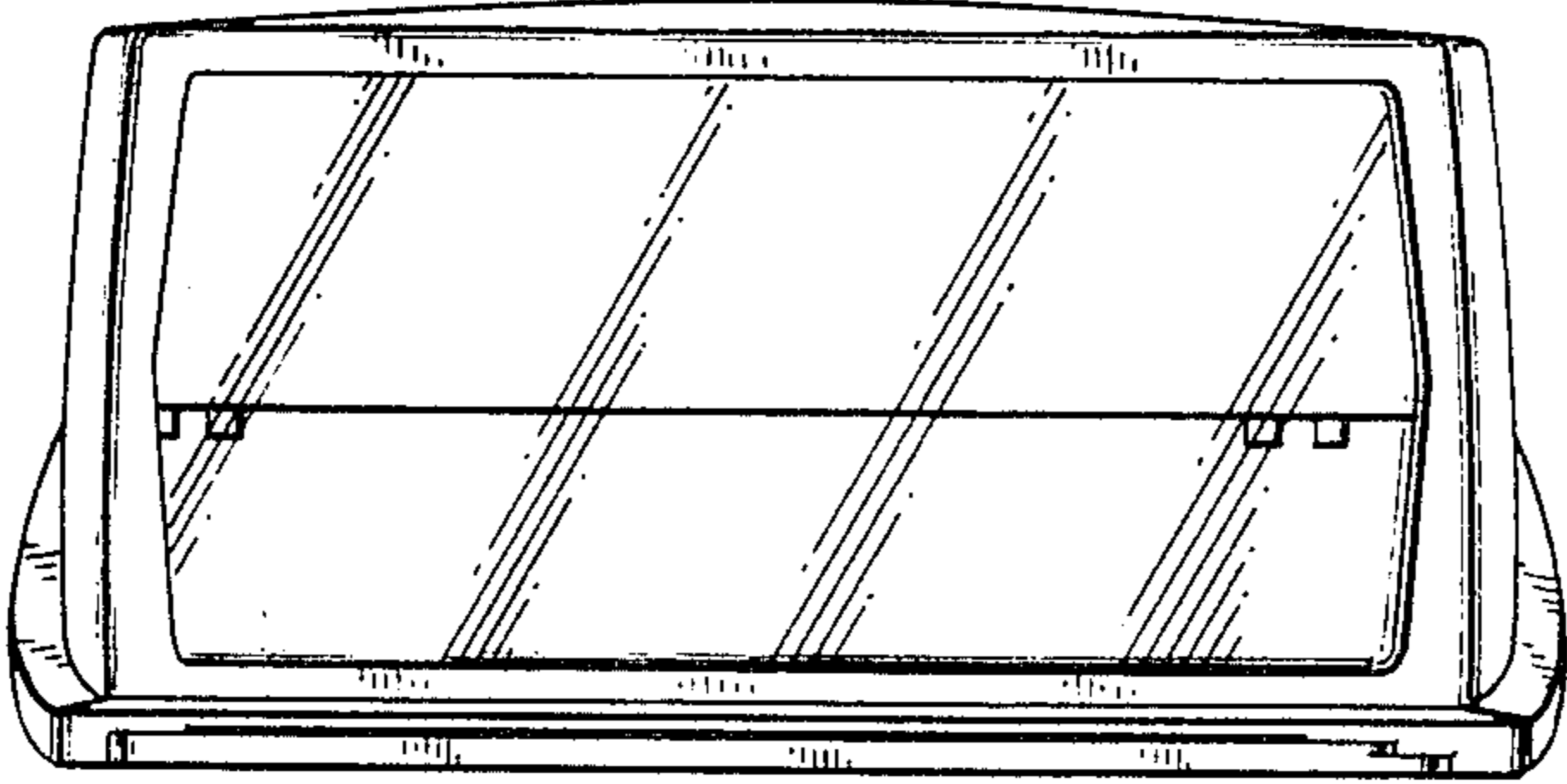


Fig. 4

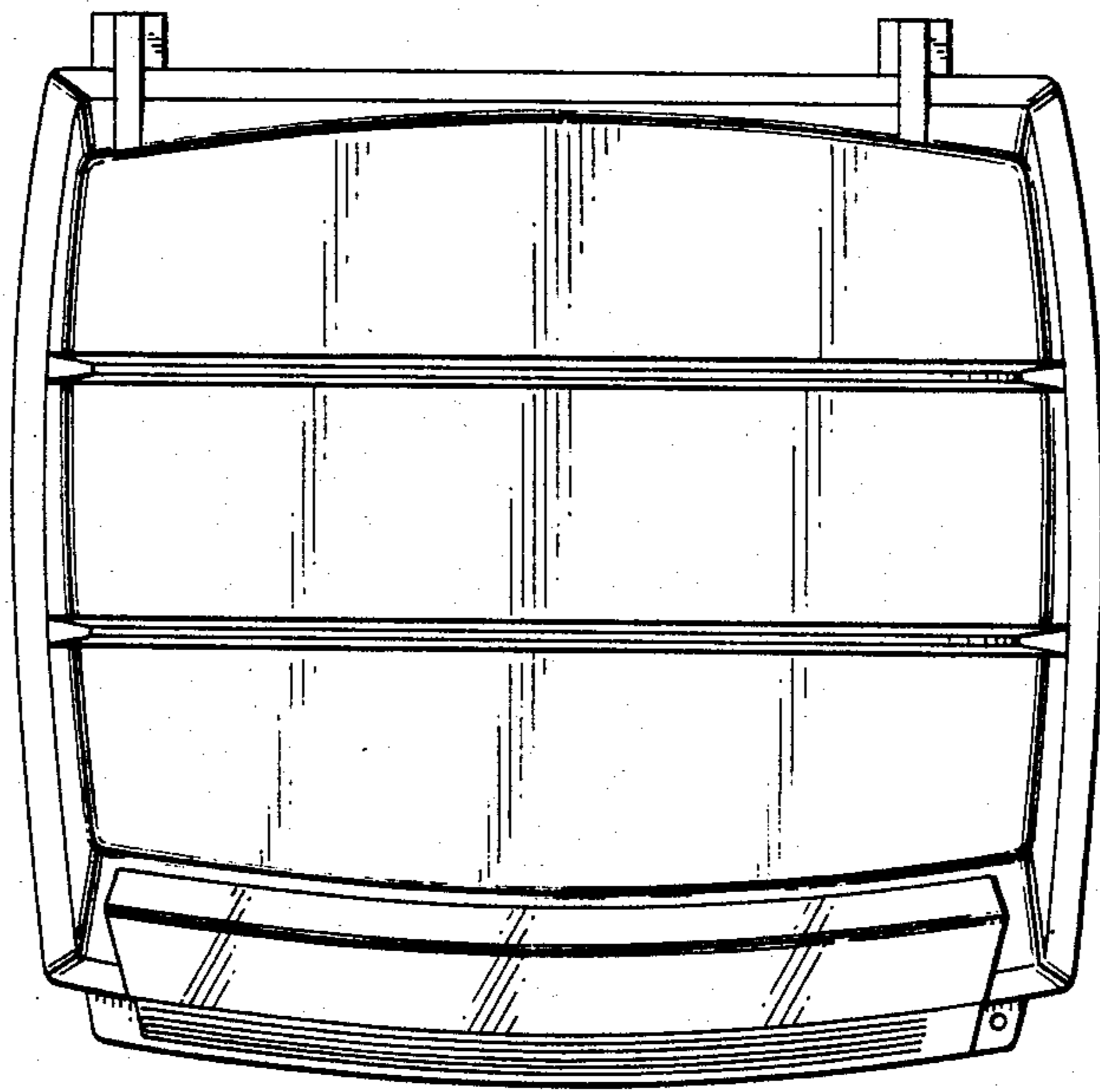


Fig. 5

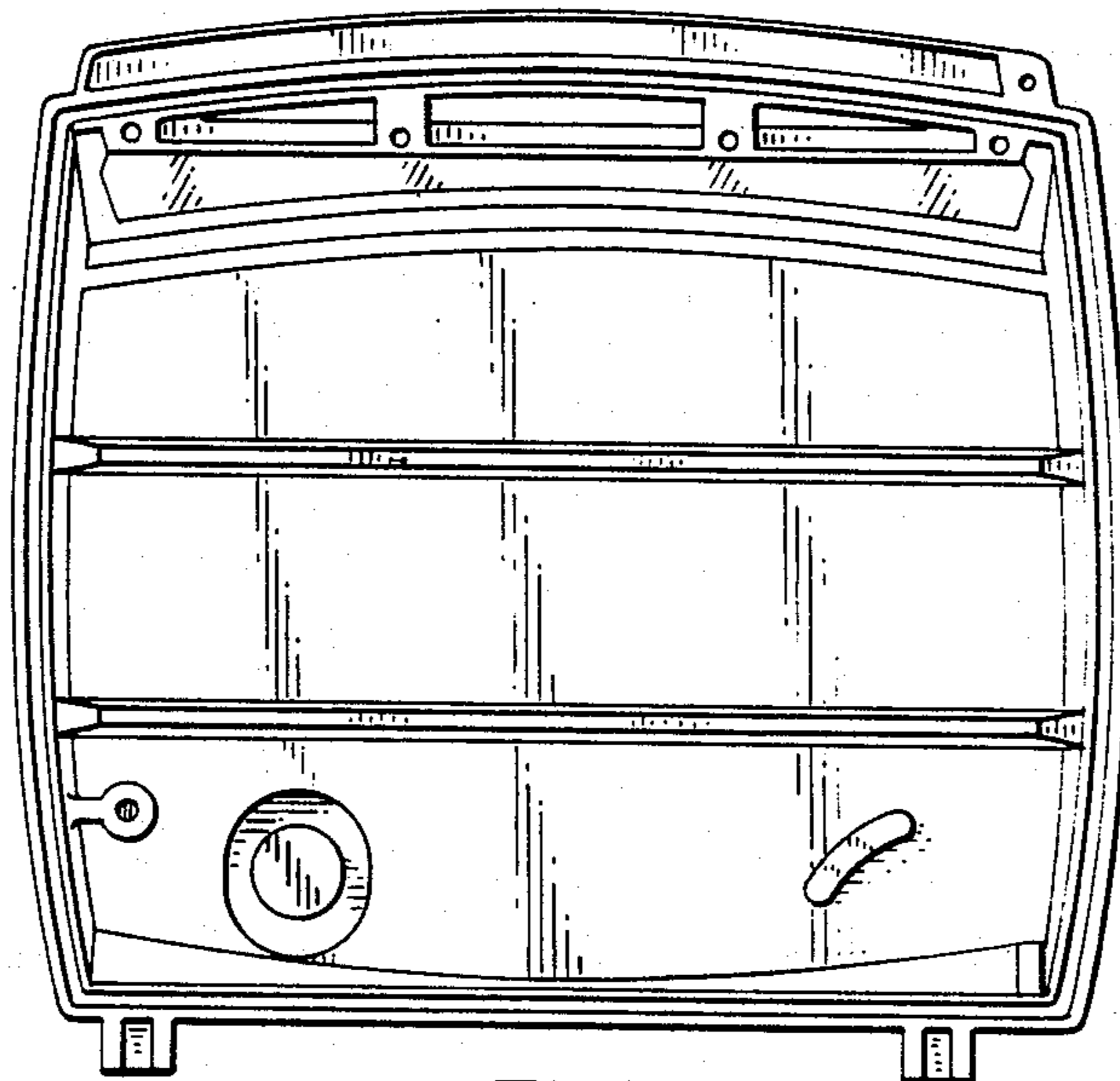


Fig. 6

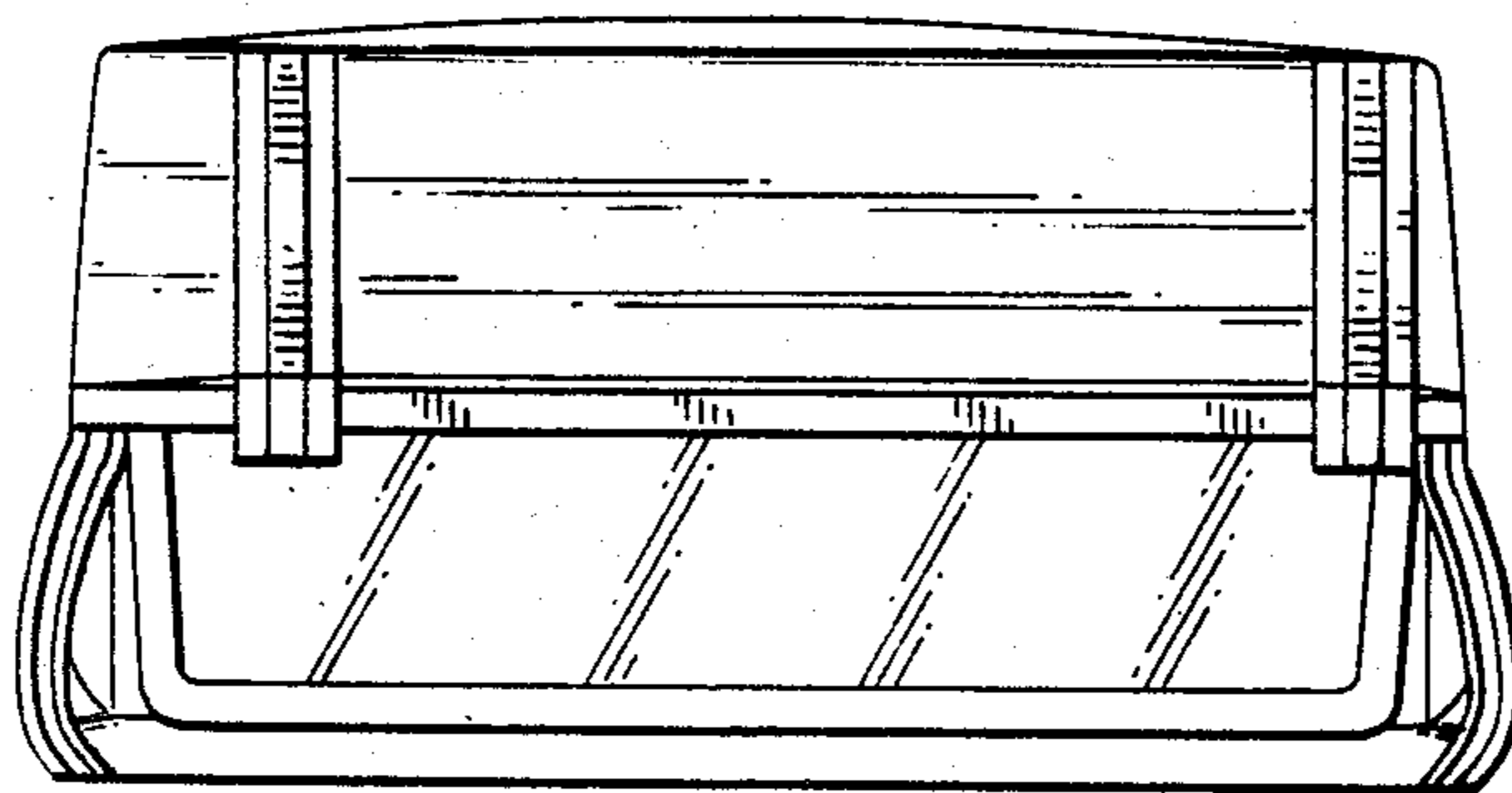


Fig. 7