

[54] WATCH

[75] Inventor: Umberto Maglioli, Monza, Italy

[73] Assignee: Orfina Uhren AG, Grenchen, Switzerland

[\*\*] Term: 14 Years

[21] Appl. No.: 476,896

[22] Filed: Mar. 18, 1983

[52] U.S. Cl. .... D10/39; D10/30

[58] Field of Search ..... D10/1, 30-39, D10/122-126; 368/285, 223, 228, 239-242, 280-282

[56] References Cited

U.S. PATENT DOCUMENTS

- D. 159,389 7/1950 Parel ..... D10/39 X
- D. 225,124 11/1972 Osawa ..... D10/39
- D. 234,943 4/1975 Marquand ..... D10/39
- D. 266,908 11/1982 Schwab ..... D10/39

OTHER PUBLICATIONS

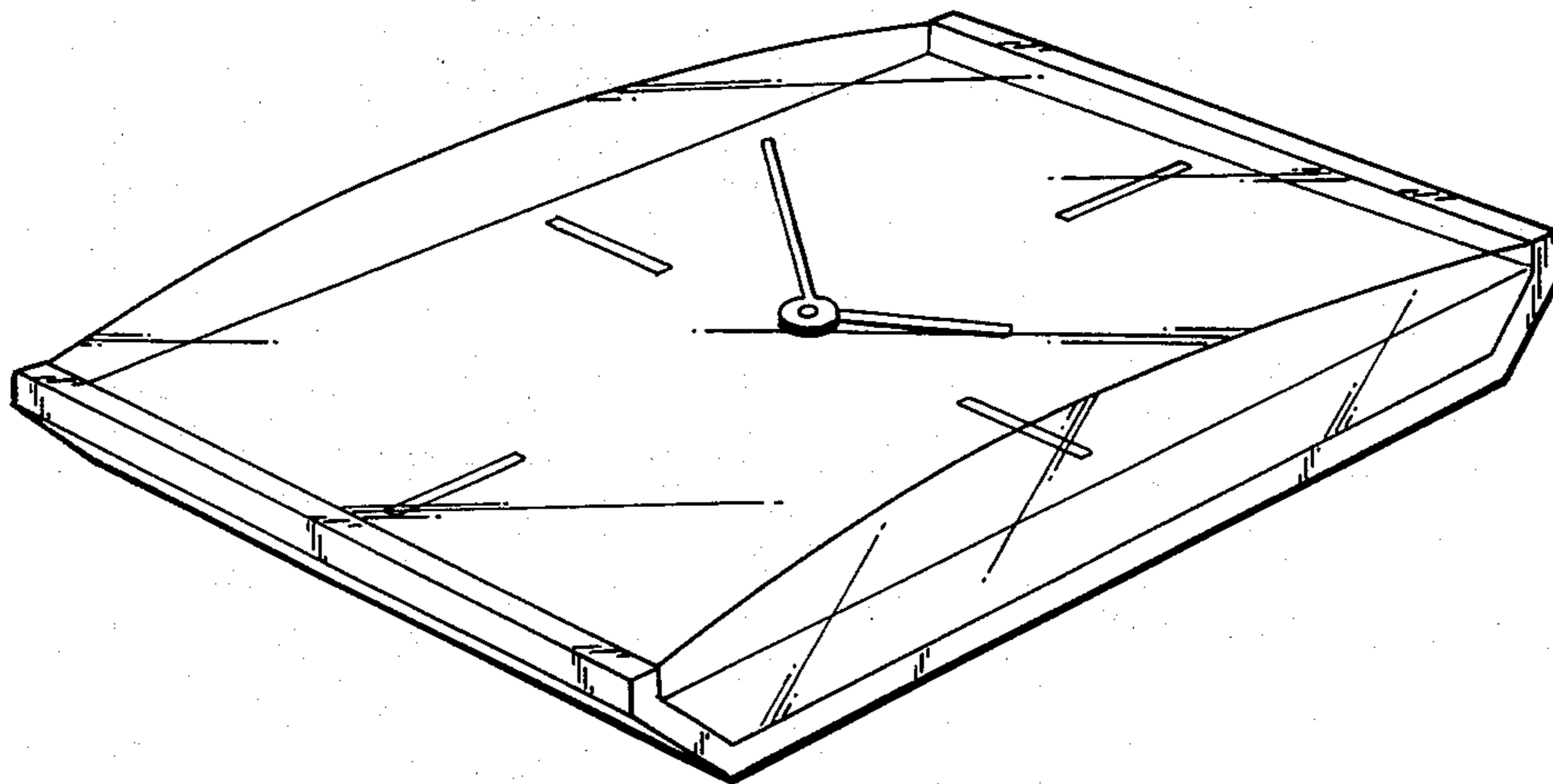
- European Jeweler*—4/83—p. 53, Watches.
- Swiss Watch and Jewelry Journal*—2/82, p. 287—Watches.
- European Jeweler*—12/74—p. 14—Watch at bottom.
- Primary Examiner*—Nelson C. Holtje
- Attorney, Agent, or Firm*—Townsend and Townsend

[57] CLAIM

The ornamental design for a watch, as shown and described.

DESCRIPTION

FIG. 1 is a top and right front perspective view of a watch showing my new design;  
 FIG. 2 is a top plan view thereof, the broken line watch bands being illustrative and environmental only and forming no part of the claimed design;  
 FIG. 3 is a side elevational view thereof;  
 FIG. 4 is a bottom plan view thereof.



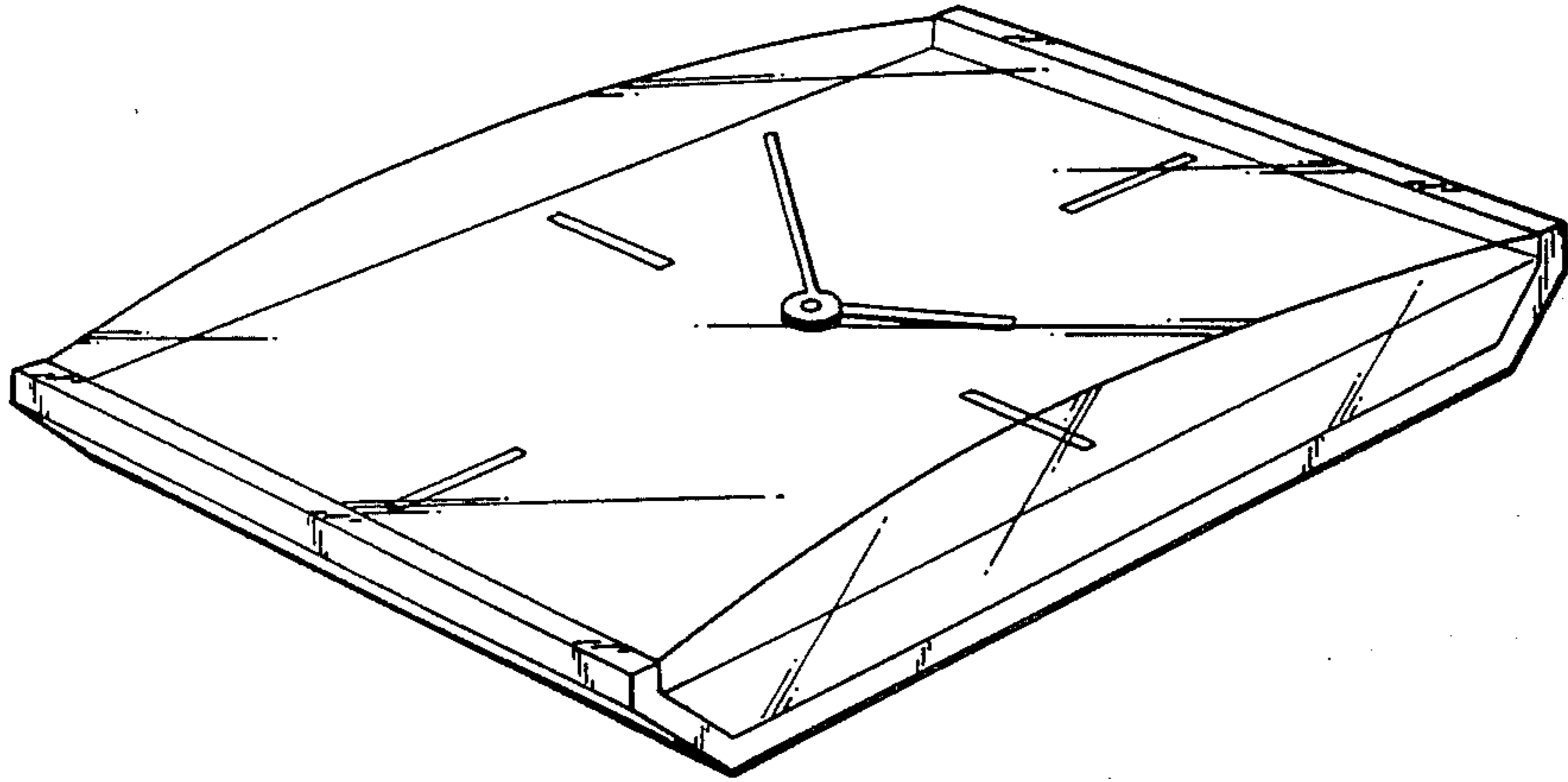


FIG. 1.

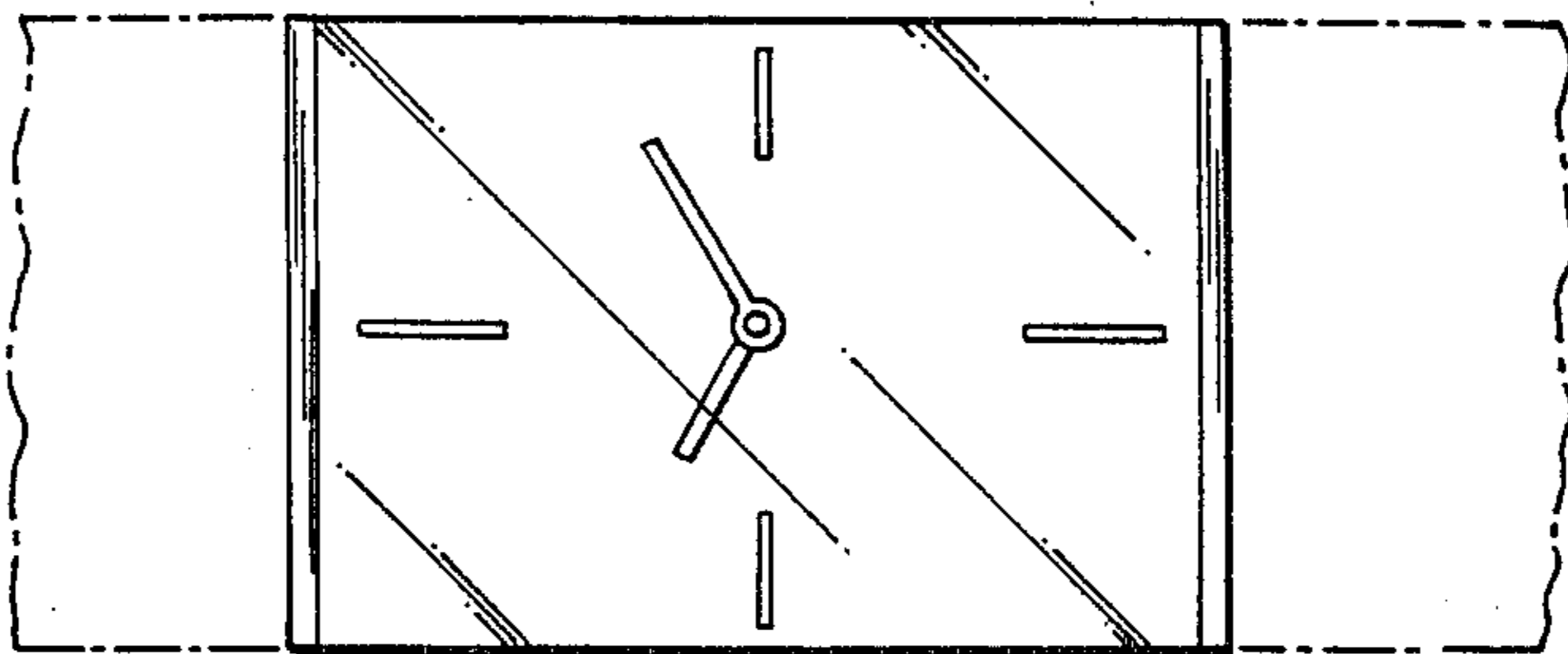


FIG. 2.

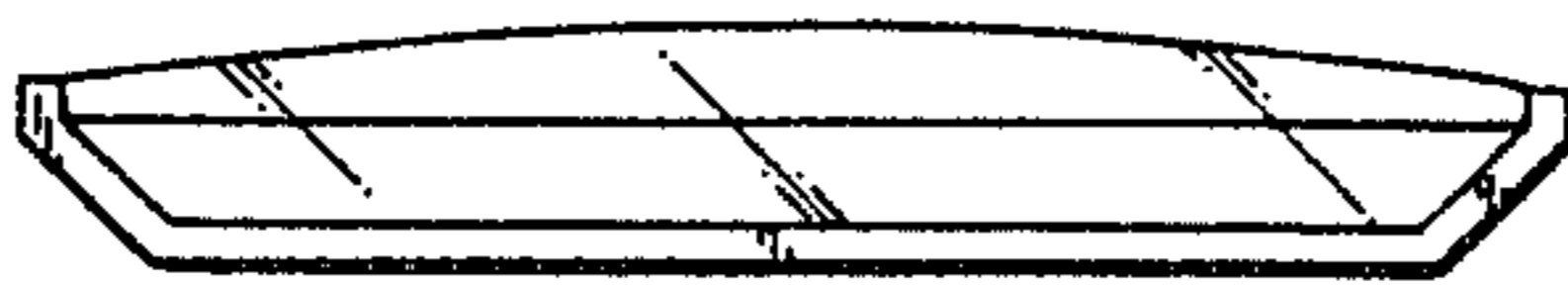


FIG. 3.

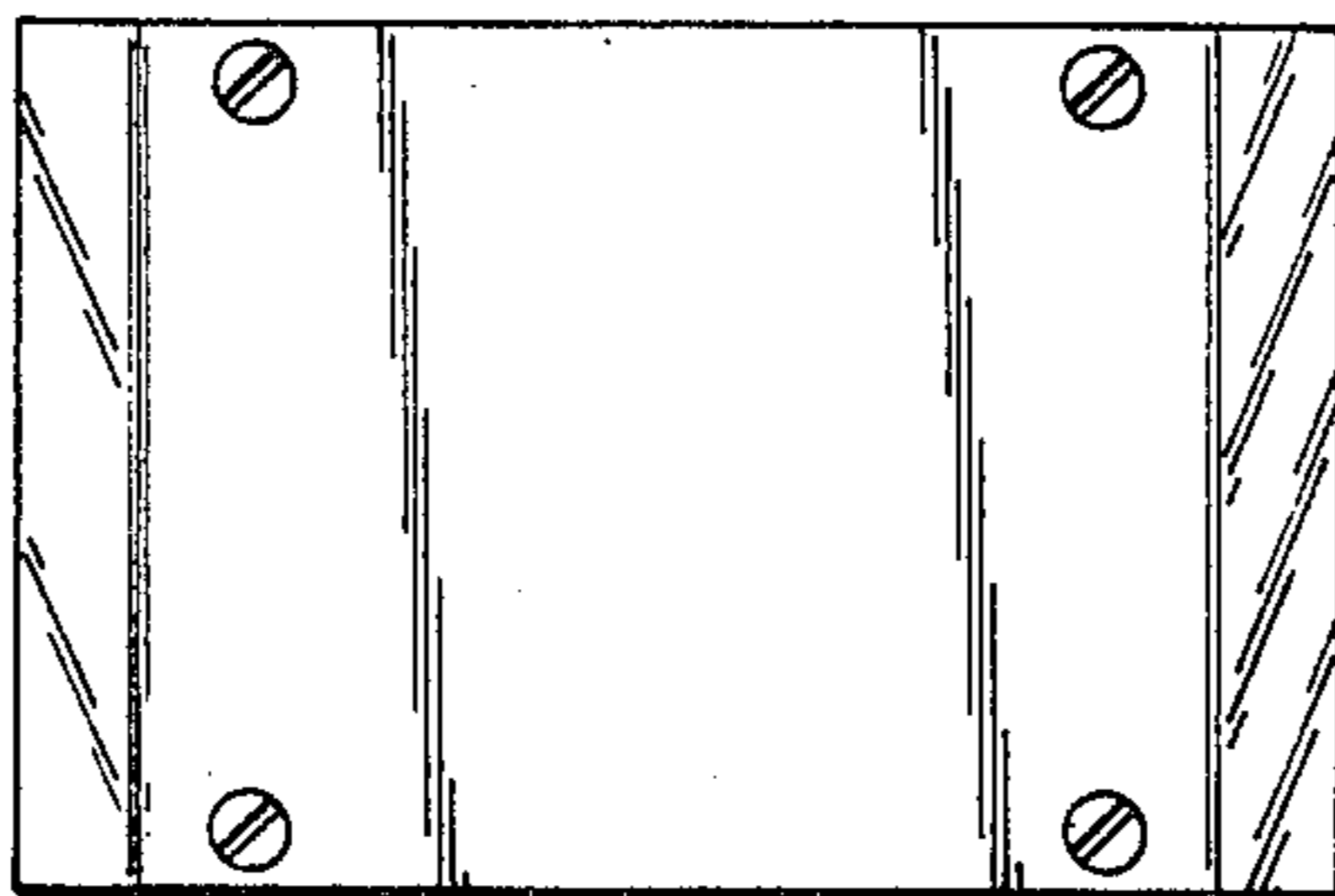


FIG. 4.