

United States Patent [19]

Norin et al.

[11] Patent Number: **Des. 279,545**

[45] Date of Patent: **** Jul. 9, 1985**

[54] **STRIPPING TOOL**

[75] Inventors: **Mats Norin, Älvdalen; Ulf Hanses, Borlänge, both of Sweden**

[73] Assignee: **Pressmaster Innovation AB, Alvdalen, Sweden**

[**] Term: **14 Years**

[21] Appl. No.: **398,840**

[22] Filed: **Jul. 16, 1982**

[30] **Foreign Application Priority Data**

Jan. 18, 1982 [SE] Sweden 82-0088

[52] U.S. Cl. **D8/51; D8/98**

[58] Field of Search D8/51, 52, 386, 98;
81/9.5 R, 9.5 A, 9.5 B, 9.5 C, ; 72/409, 464;
30/358, 368, 91.1

[56] **References Cited**

U.S. PATENT DOCUMENTS

1,725,114 8/1929 Van Gelderen 81/9.5 C

1,857,731 5/1932 Lund 30/90.1 X

2,468,122 4/1949 Shepard 81/9.5 R X

2,643,561 6/1953 Ackley 30/90.1 X

3,600,983 8/1971 Hendry 30/90.1 X

FOREIGN PATENT DOCUMENTS

705668 3/1954 United Kingdom 30/91.1

Primary Examiner—Susan J. Lucas

Assistant Examiner—Clare E. Heflin

Attorney, Agent, or Firm—Fleit, Jacobson, Cohn & Price

[57] **CLAIM**

The ornamental design for a stripping tool, substantially as shown and described.

DESCRIPTION

FIG. 1 is a perspective view of a stripping tool showing our new design;

FIG. 2 is a top plan view thereof;

FIG. 3 is a side elevational view thereof, the opposite side being identical;

FIG. 4 is a bottom plan view thereof;

FIG. 5 is a front elevational view thereof; and

FIG. 6 is a rear elevational view thereof.

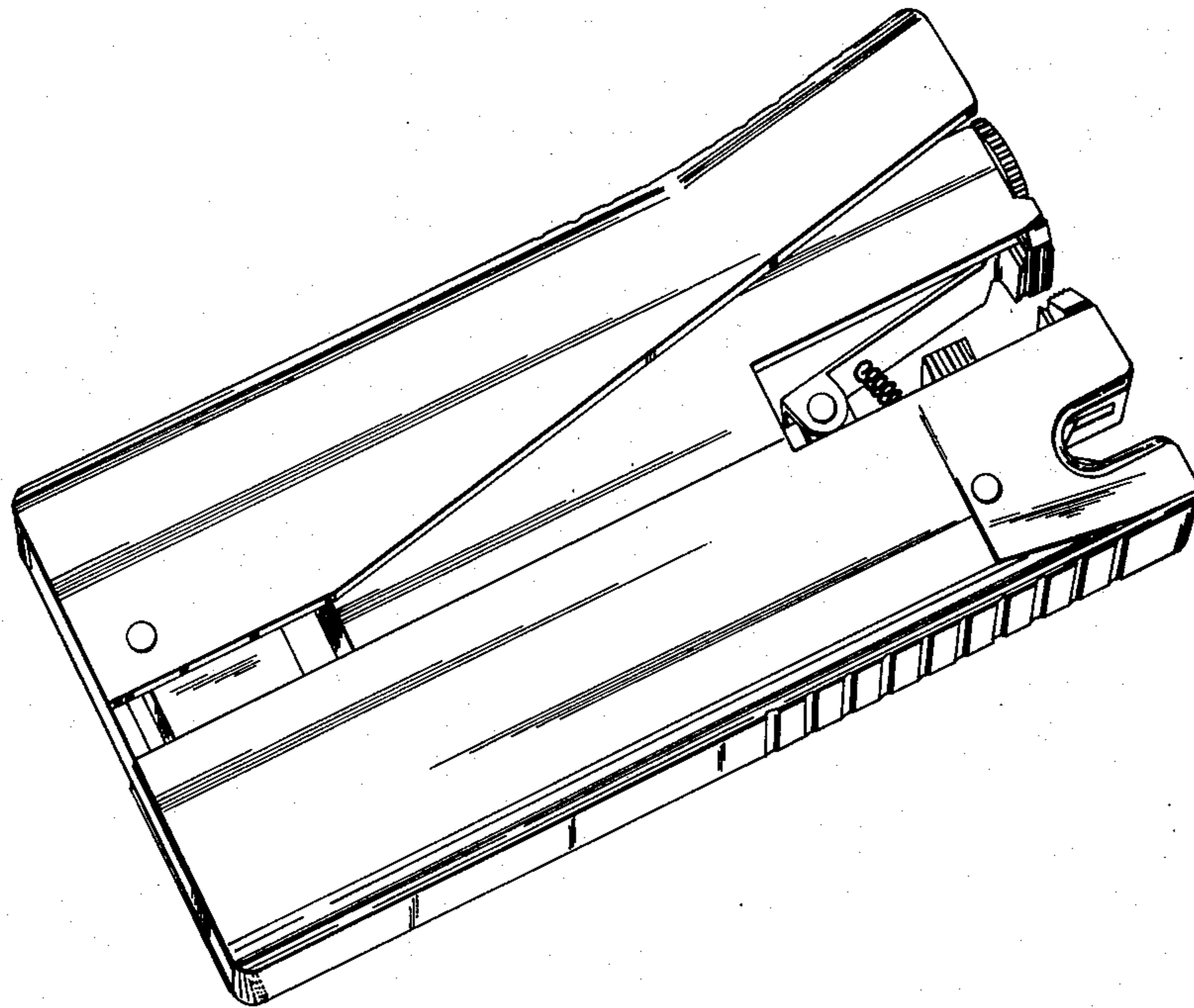


Fig. 1

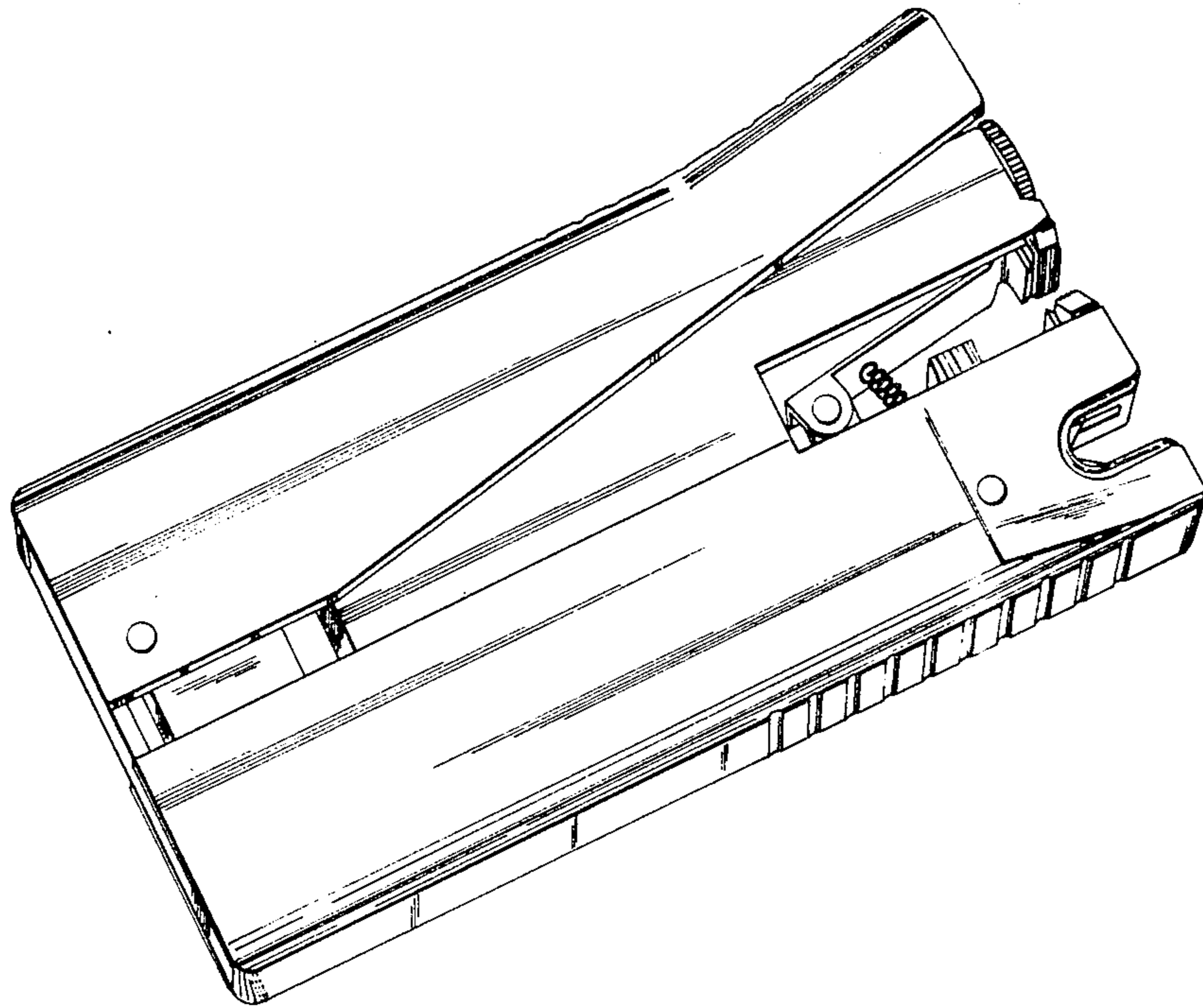


Fig. 2

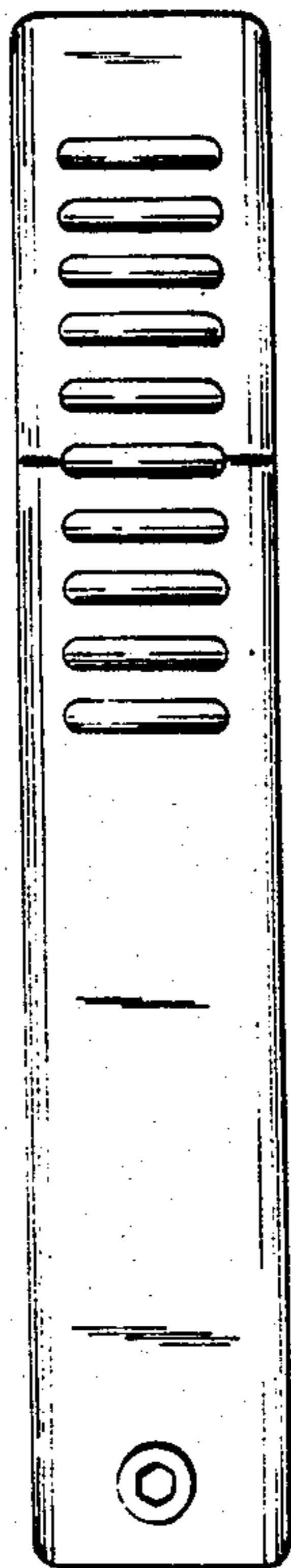


Fig. 5

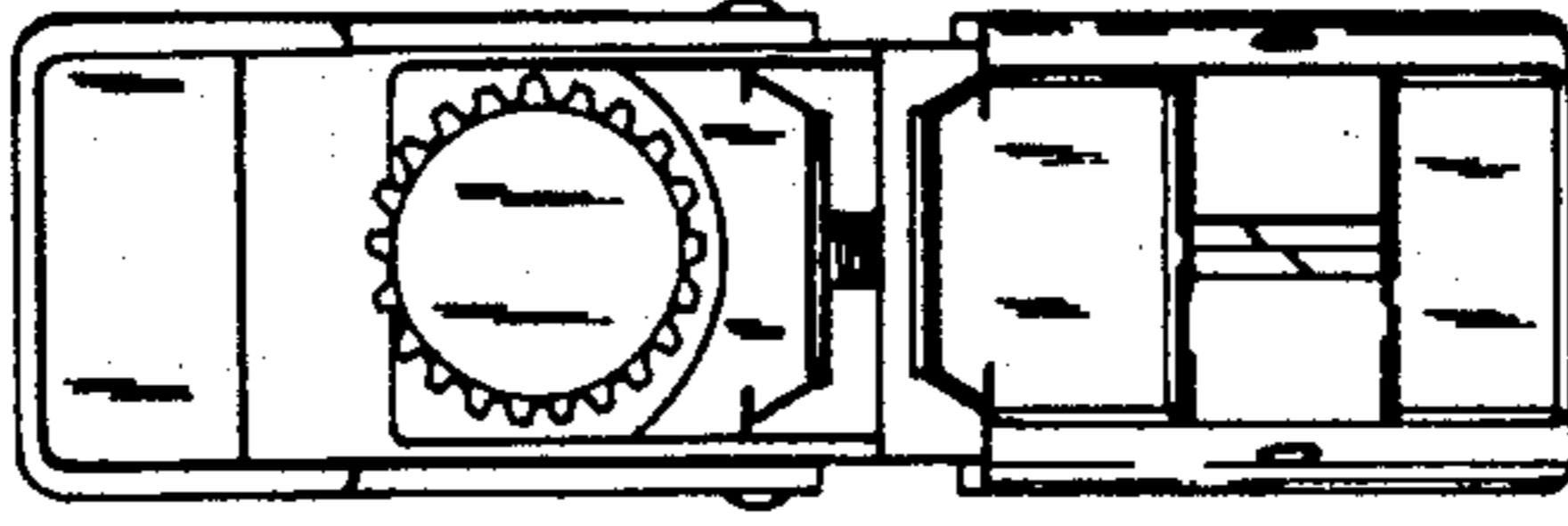


Fig. 3

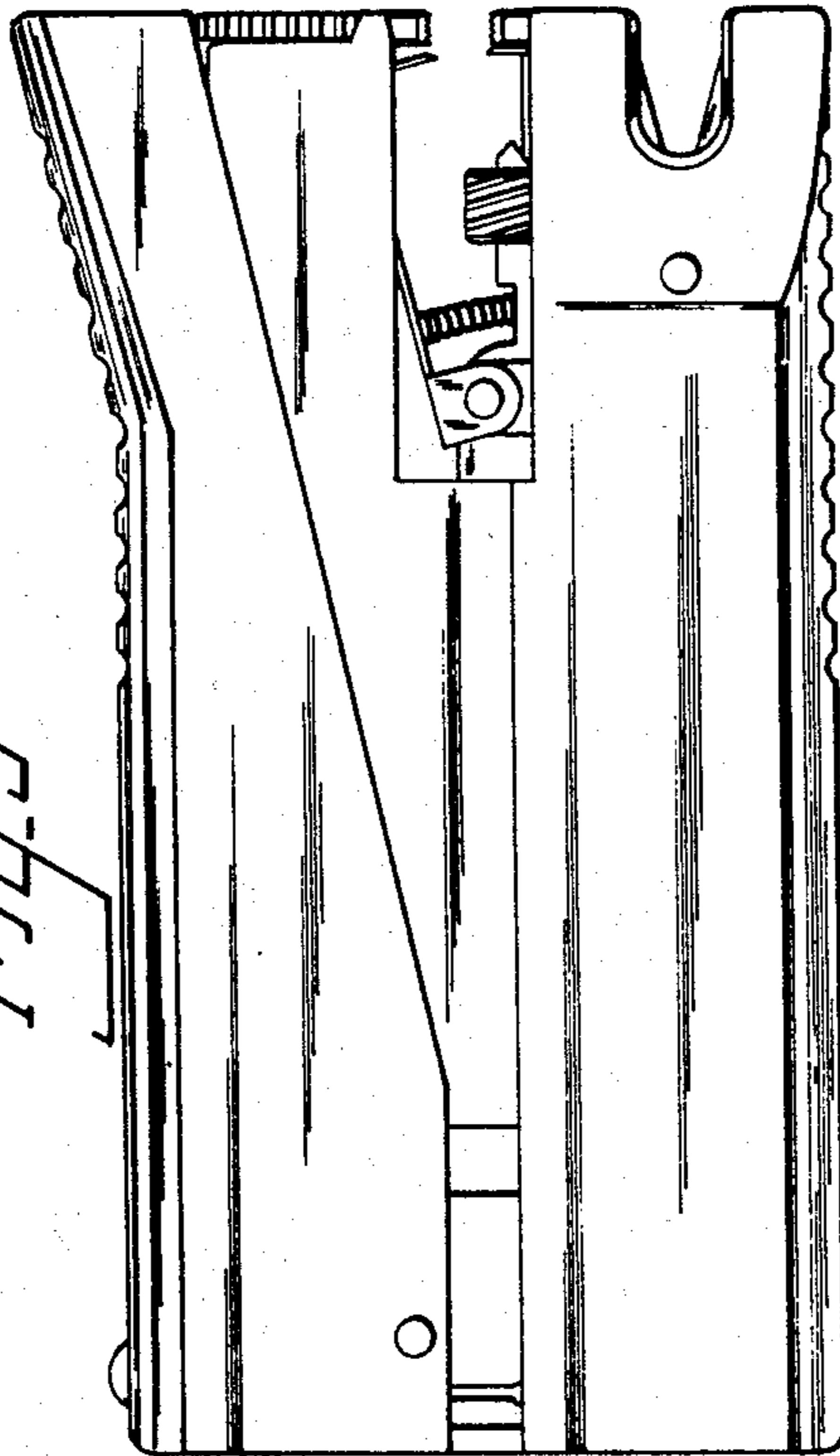


Fig. 4

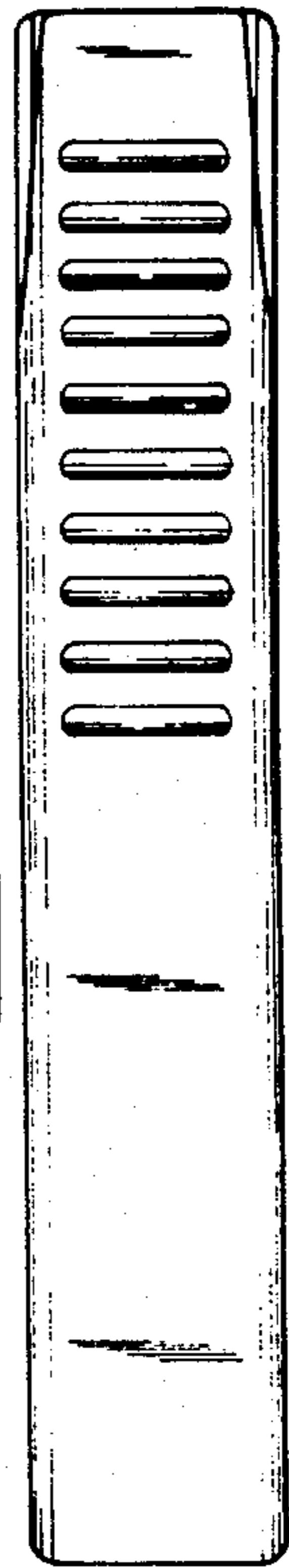


Fig. 6

