

[54] **BLADE FOR A GARDEN IMPLEMENT**

[76] **Inventor: Vincente Rodrigues-Quiros, 78 Loma Bonita, Pla Sabanetas, Mercedita, P.R. 00715**

[**] **Term: 14 Years**

[21] **Appl. No.: 484,380**

[22] **Filed: Apr. 12, 1983**

[52] **U.S. Cl. D8/11**

[58] **Field of Search D8/1-13; 172/375, 371, 381; D7/142; 16/DIG. 24**

[56] **References Cited**

U.S. PATENT DOCUMENTS

D. 27,173	6/1897	Steel	D8/11
D. 247,091	1/1978	Sandorf	D8/11
357,907	2/1887	Clarke	172/381
834,780	10/1906	Watson	172/381
902,124	10/1908	Voshell	172/375
1,591,274	7/1926	Boswell	172/371
1,687,986	10/1928	Miller	172/381
2,006,672	7/1935	Combs	172/381
2,141,223	12/1938	Pistorius	D7/142
3,116,796	1/1964	Miljan	172/375

FOREIGN PATENT DOCUMENTS

9807 11/1902 Austria 172/381

OTHER PUBLICATIONS

The 1876 Cape Cod Dessert Server; Avon Products Inc; Campaign #29, 1981; p. 17.

Primary Examiner—Wallace R. Burke

Assistant Examiner—Horace B. Fay

Attorney, Agent, or Firm—Shlesinger, Arkwright, Garvey & Fado

[57] **CLAIM**

The ornamental design for a blade for a garden implement, as shown and described.

DESCRIPTION

FIG. 1 is a top perspective view of a blade for a garden implement showing my new design, with a portion of a handle shown in broken lines for illustrative environment association purposes only;

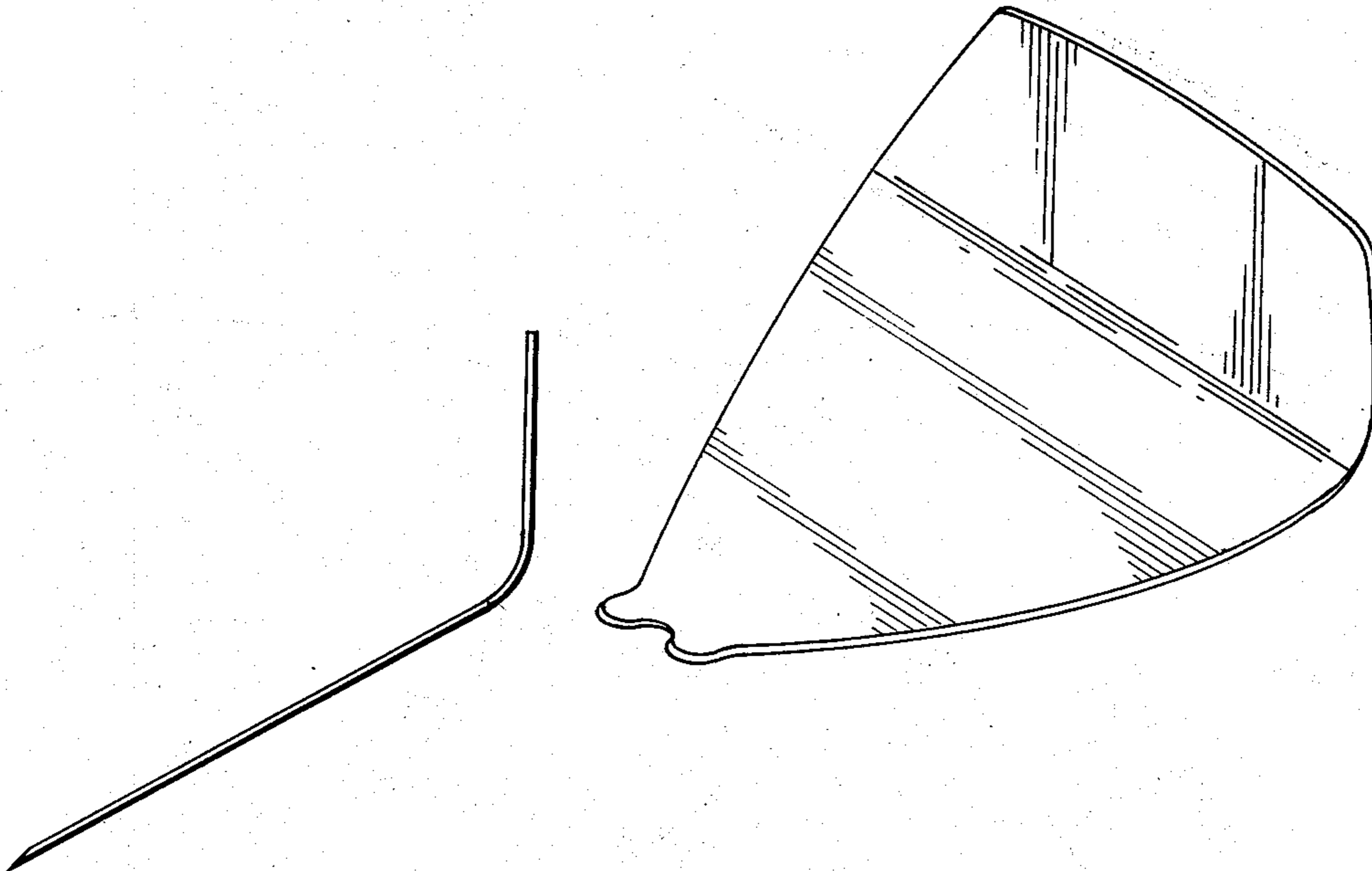
FIG. 2 is a side elevational view thereof;

FIG. 3 is a bottom perspective view thereof;

FIG. 4 is a top perspective view of a second embodiment thereof;

FIG. 5 is a bottom perspective view thereof; and

FIG. 6 is an enlarged fragmentary side elevational view of the tip of the blade of FIG. 4.



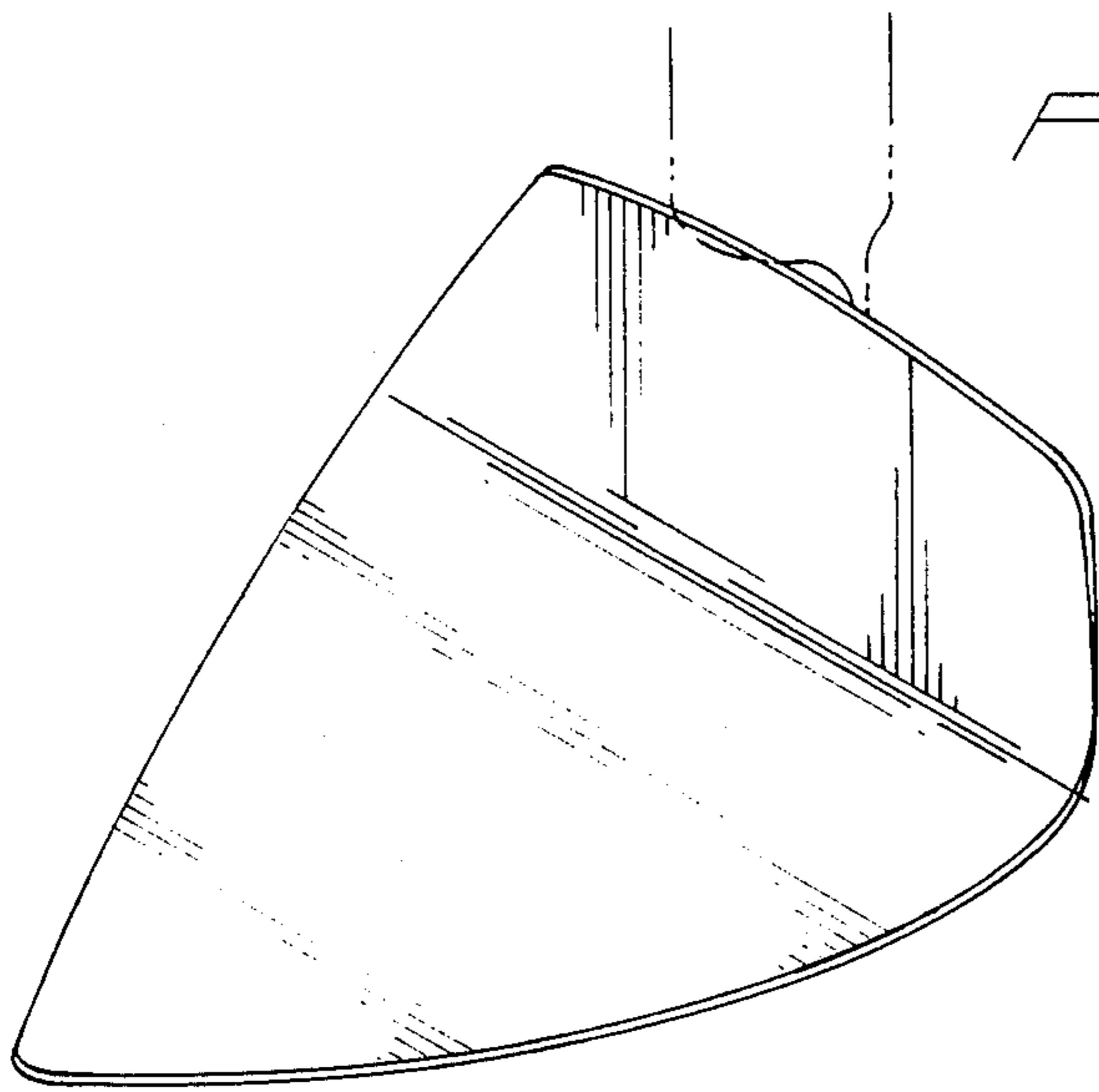


FIG 1

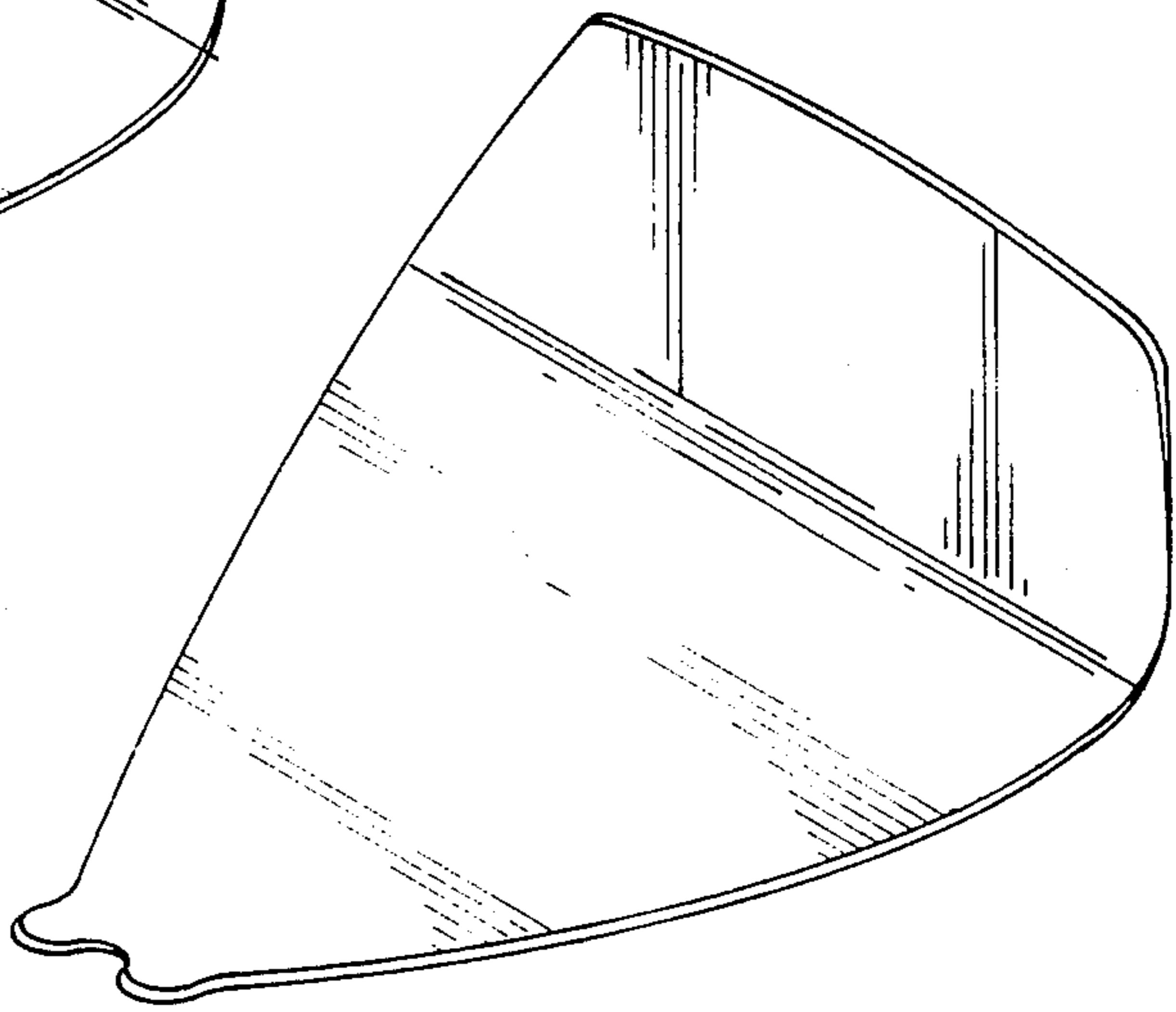


FIG 4

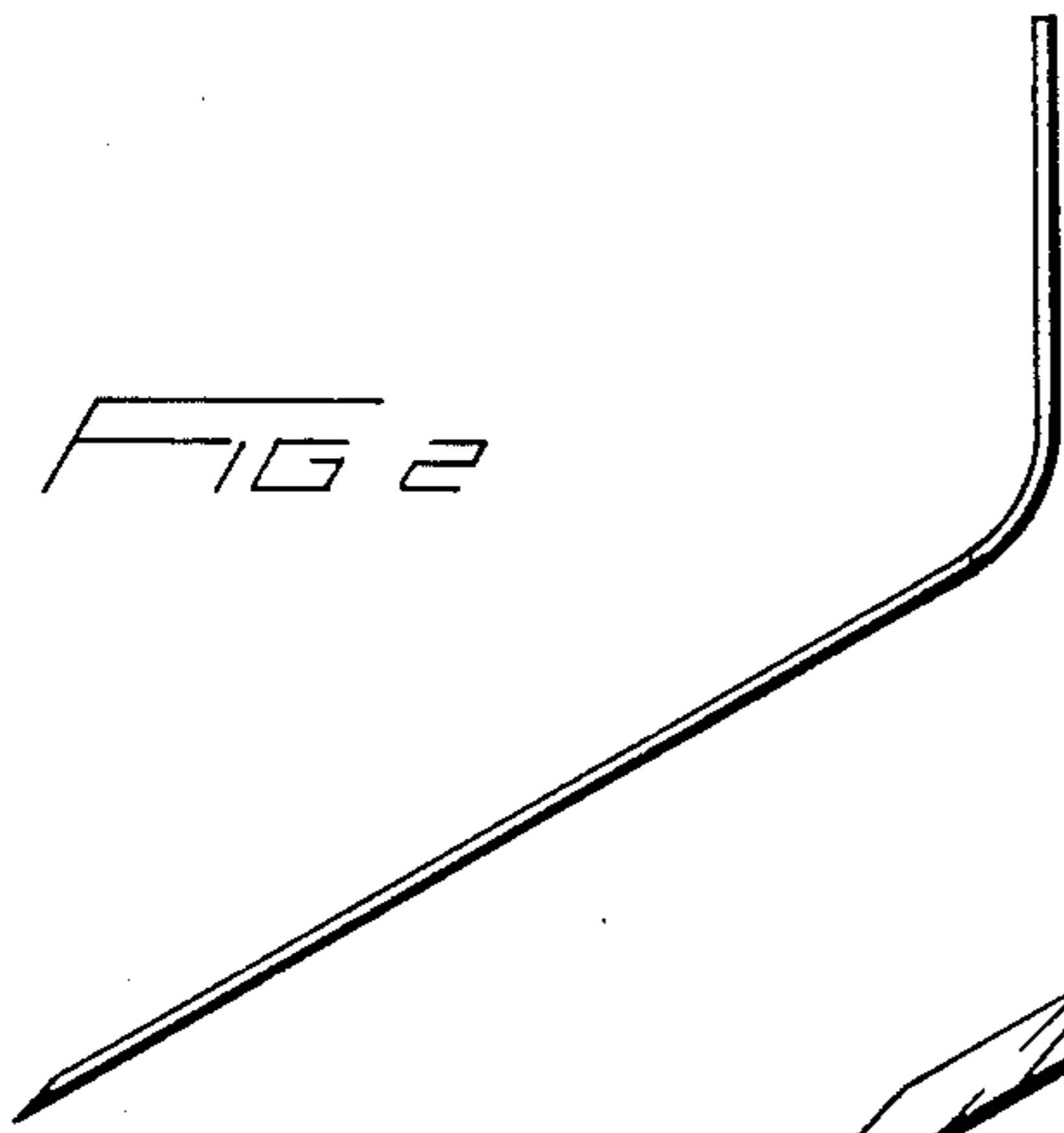


FIG 2

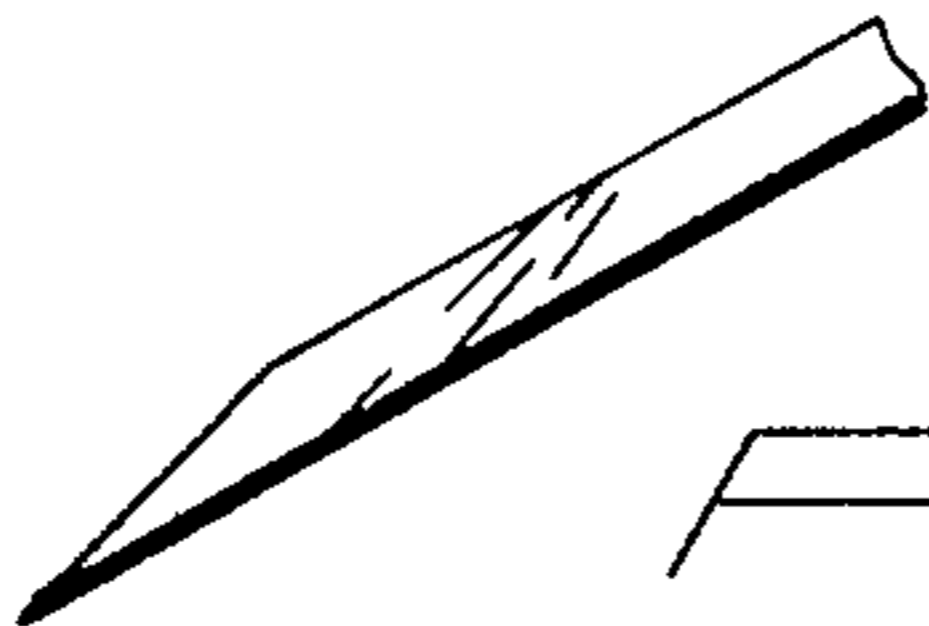


FIG 6

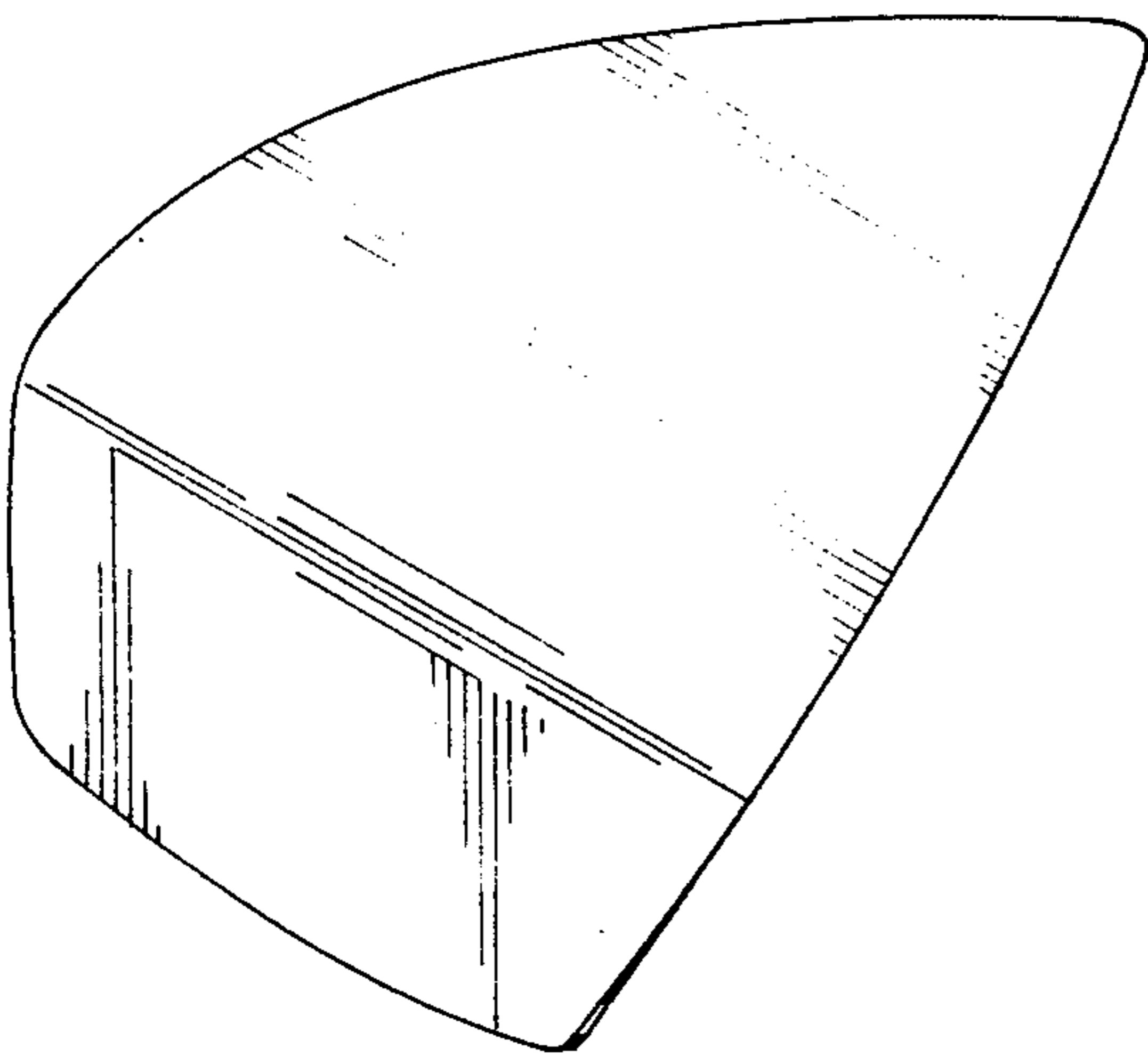


FIG 3

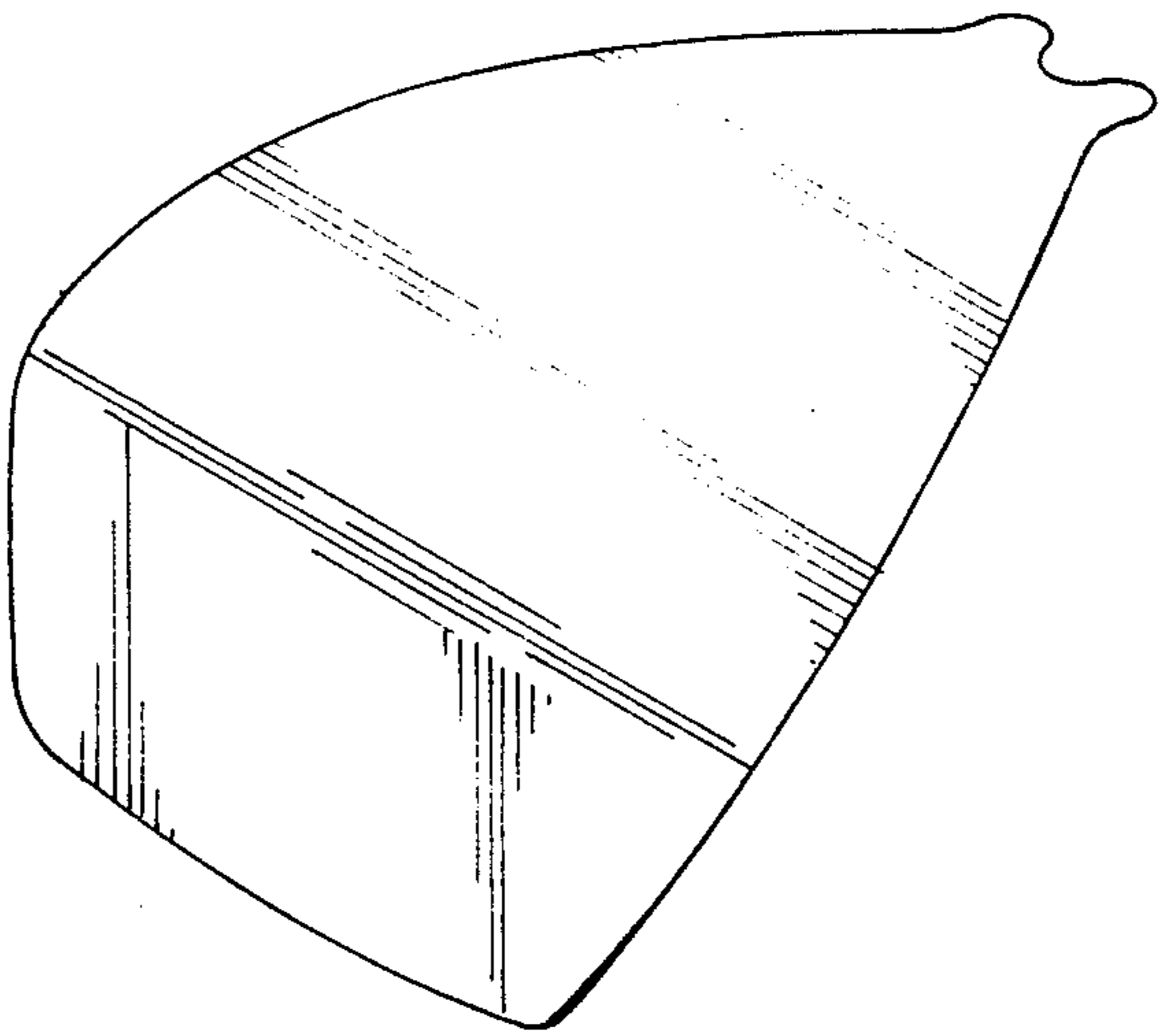


FIG 5