

[54] BLADE FOR A GARDEN IMPLEMENT

[76] Inventor: **Vincente Rodrigues-Quiros**, 78 Loma Bonita, Pla Sabanetas, Mercedita, P.R. 00715

[\*\*] Term: **14 Years**

[21] Appl. No.: **484,379**

[22] Filed: **Apr. 12, 1983**

[52] U.S. Cl. .... **D8/11**

[58] Field of Search ..... **D8/1-11;**  
172/371, 375, 381; D7/142

[56] **References Cited**

**U.S. PATENT DOCUMENTS**

D. 27,173	6/1897	Steel	.....	D8/11
D. 247,091	1/1978	Sandorf	.....	D8/11
357,907	2/1887	Clarke	.....	172/381
834,780	10/1906	Watson	.....	172/381
902,124	10/1908	Voshell	.....	172/375
1,687,986	10/1928	Miller	.....	172/381
2,006,672	7/1935	Combs	.....	172/381
2,141,223	12/1938	Distorius	.....	D7/142
3,116,796	1/1964	Miljan	.....	D8/11
4,319,644	3/1982	Young	.....	172/375

**FOREIGN PATENT DOCUMENTS**

9807	11/1902	Austria	.....	172/381
26351	12/1906	United Kingdom	.....	172/381

**OTHER PUBLICATIONS**

The 1876 Cape Cod Dessert Server, Avon Products Campaign #29 Literature, 1981, p. 17.

*Primary Examiner*—Wallace R. Burke

*Assistant Examiner*—Horace B. Fay

*Attorney, Agent, or Firm*—Shlesinger, Arkwright, Garvey & Fado

[57] **CLAIM**

The ornamental design for a blade for a garden implement, as shown and described.

**DESCRIPTION**

FIG. 1 is a top perspective view of a blade for a garden implement showing my new design, with a portion of a handle shown in broken lines for illustrative environmental association purposes only;

FIG. 2 is a bottom perspective view thereof;

FIG. 3 is a side elevational view thereof;

FIG. 4 is a top perspective view of a second embodiment thereof;

FIG. 5 is a bottom perspective view thereof; and

FIG. 6 is an enlarged fragmentary side elevational view of the tip of the blade shown in FIG. 4.

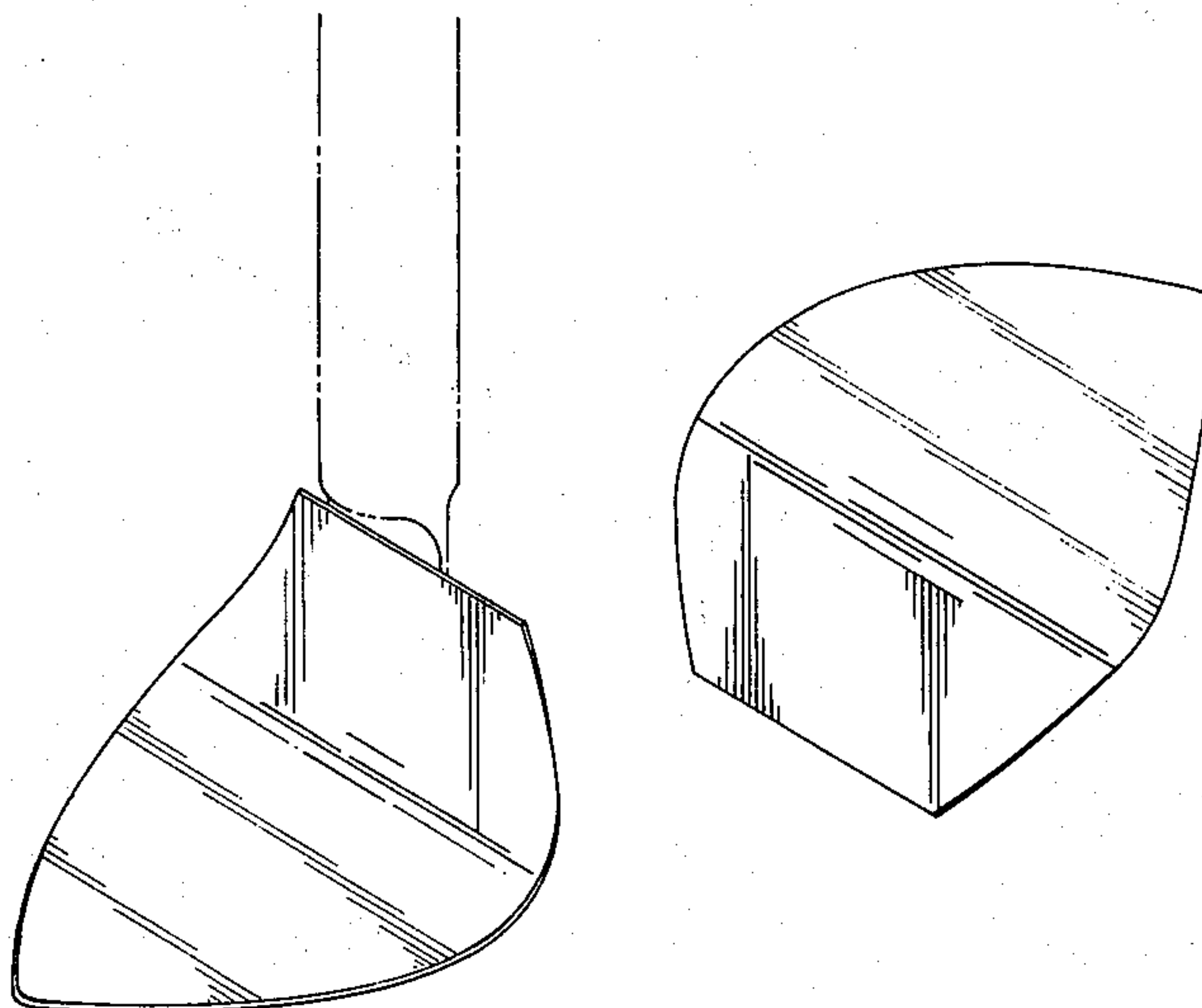


FIG 1

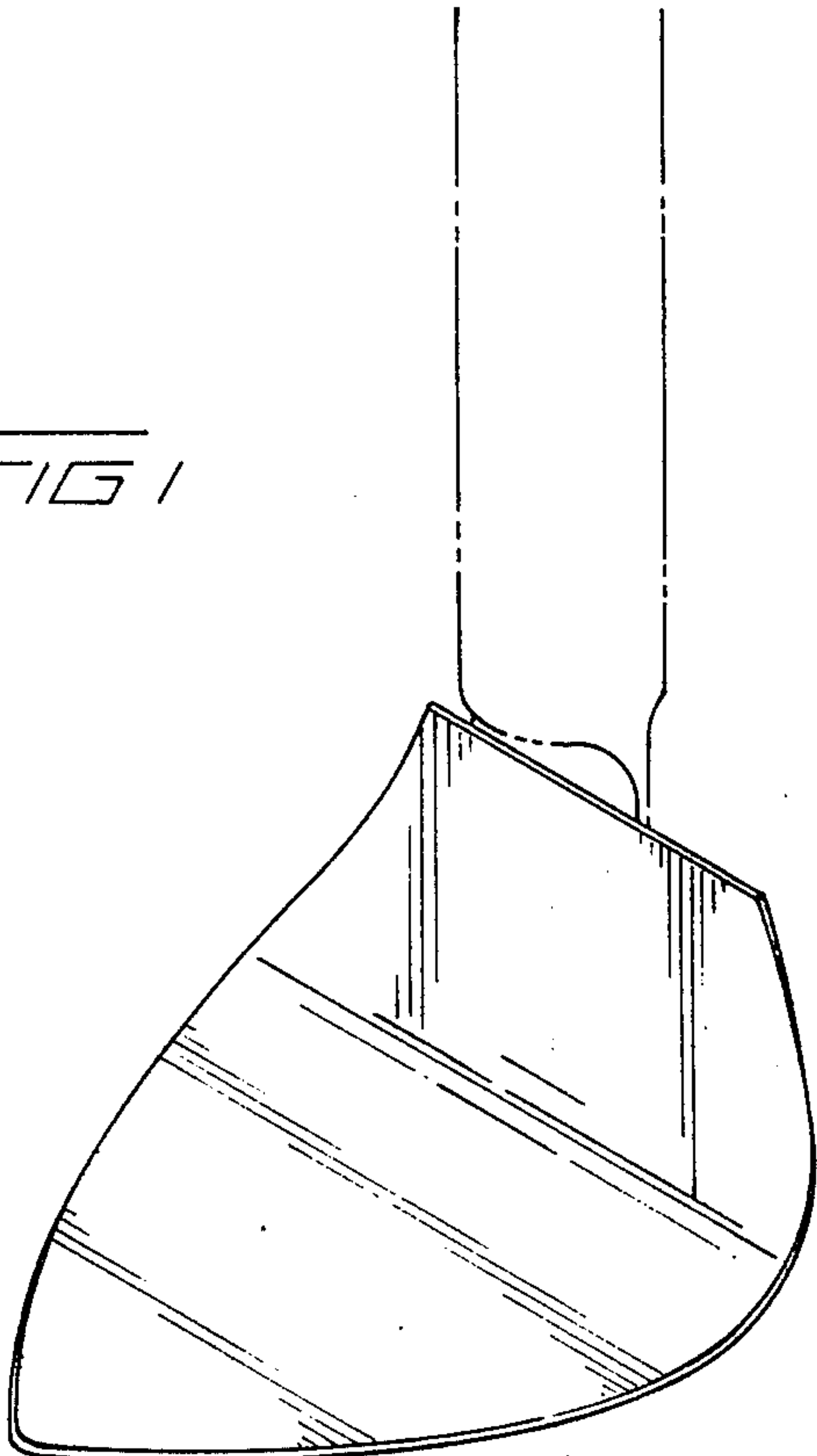


FIG 2

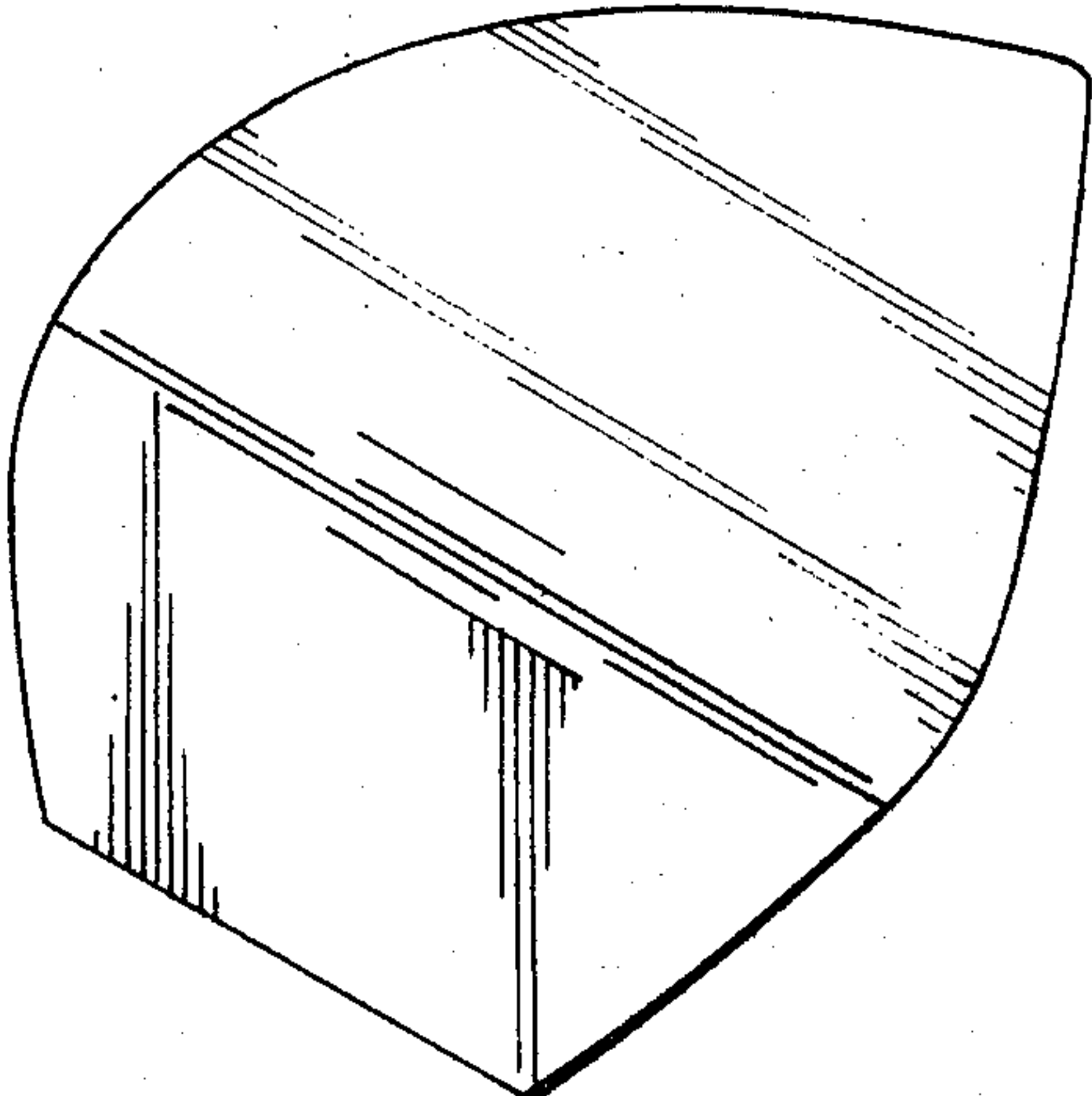


FIG 3

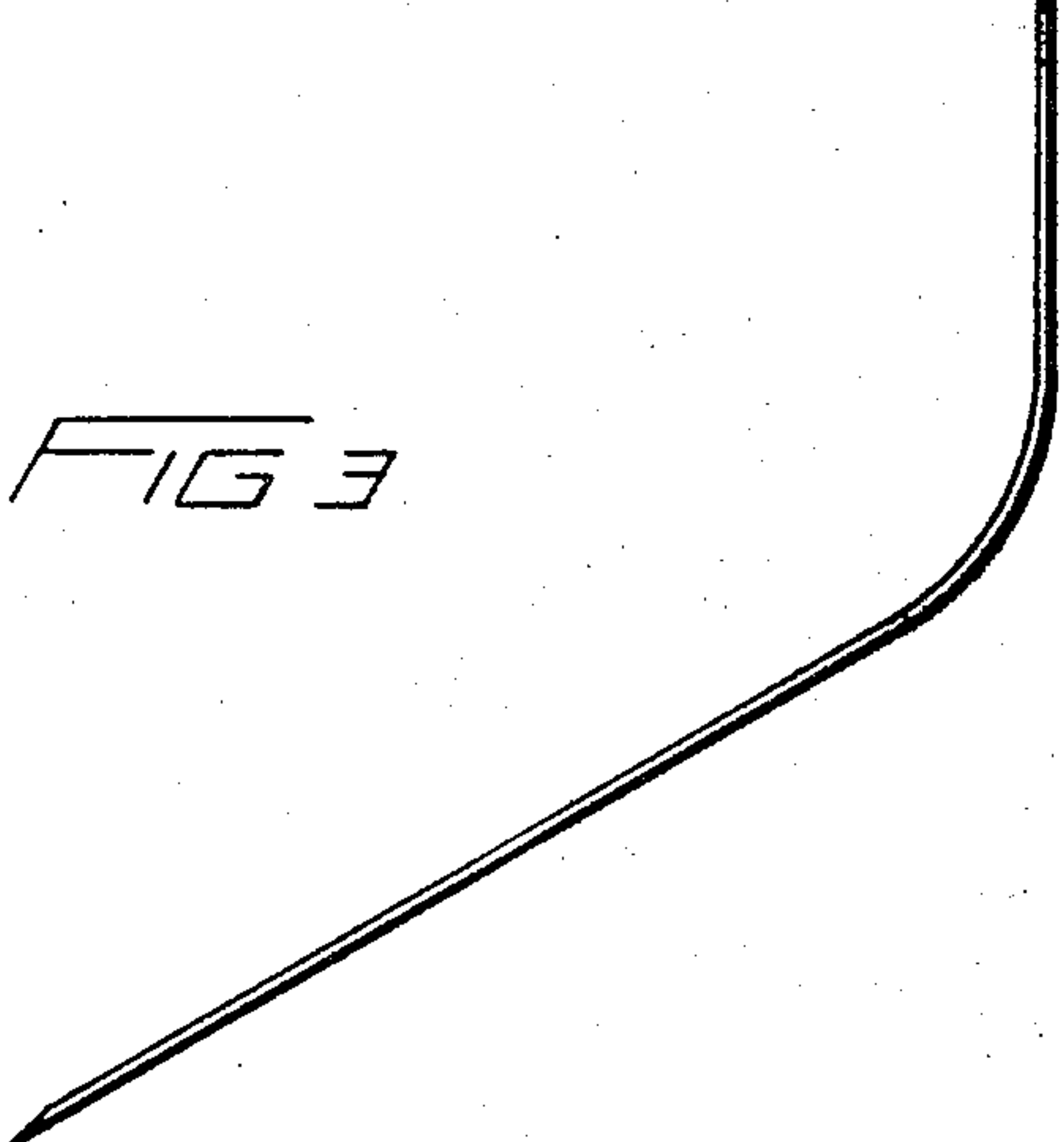


FIG 6

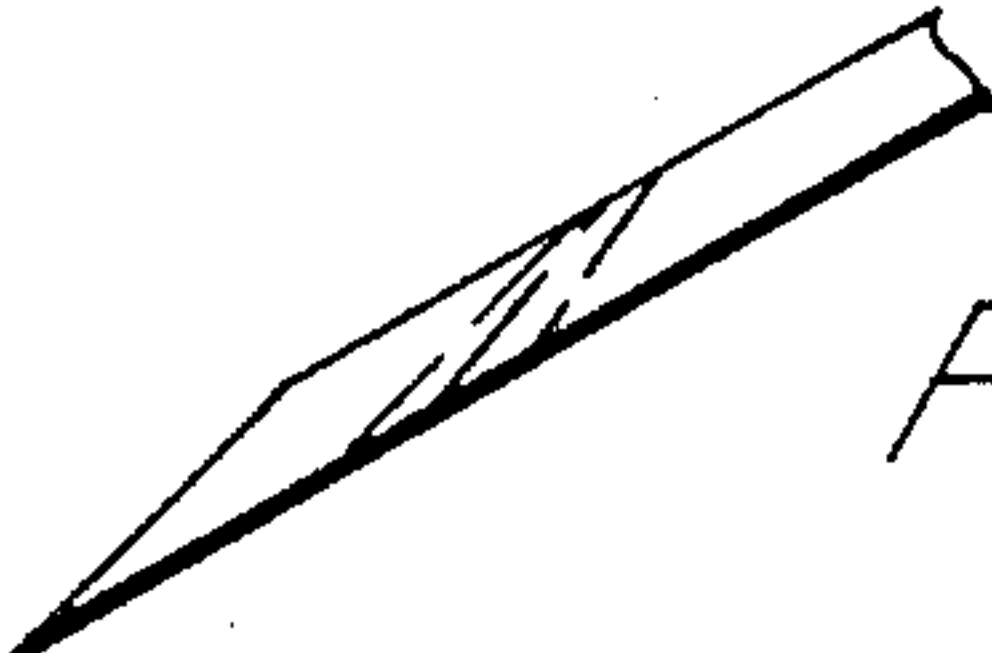


FIG 5

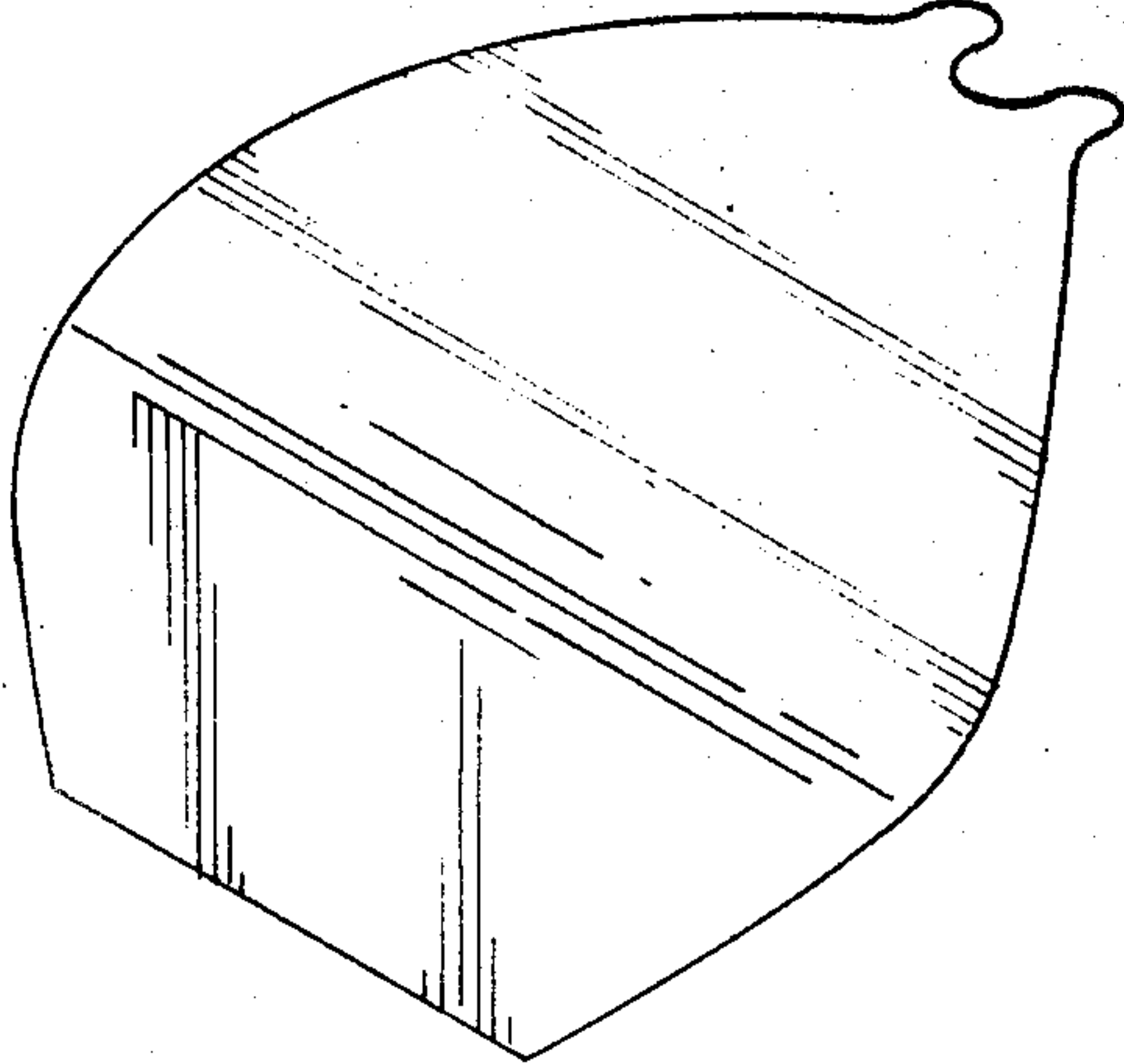


FIG 4

