

# United States Patent [19]

Gerber

[11] Patent Number: **Des. 279,539**

[45] Date of Patent: **\*\* Jul. 9, 1985**

[54] **BACON COOKING RACK**

[75] Inventor: **William C. Gerber, Wooster, Ohio**

[73] Assignee: **Rubbermaid Incorporated, Wooster, Ohio**

[\*\*] Term: **14 Years**

[21] Appl. No.: **395,658**

[22] Filed: **Jul. 6, 1982**

[52] U.S. Cl. .... **D7/359**

[58] Field of Search ..... **D7/359, 354, 409, 411; 99/422, 425, 445**

[56] **References Cited**

**U.S. PATENT DOCUMENTS**

D. 229,532 12/1973 Colato ..... **D7/409**

**OTHER PUBLICATIONS**

Retailing Home Furnishings, Sec. 3, Jan. 16, 1978, p. 14, Micromasters Broiling Rack.

Supplement to HFD-Retailing Home Furnishings, Sec.

1, Mar. 10, 1980, p. 3, Corning Ware Microwave Broiling Rack.

*Primary Examiner*—Bernard Ansher

*Assistant Examiner*—Linda Titolo

*Attorney, Agent, or Firm*—Renner, Kenner, Greive & Bobak

[57] **CLAIM**

The ornamental design for a bacon cooking rack, as shown.

**DESCRIPTION**

FIG. 1 is a top perspective view of a bacon cooking rack showing my new design;

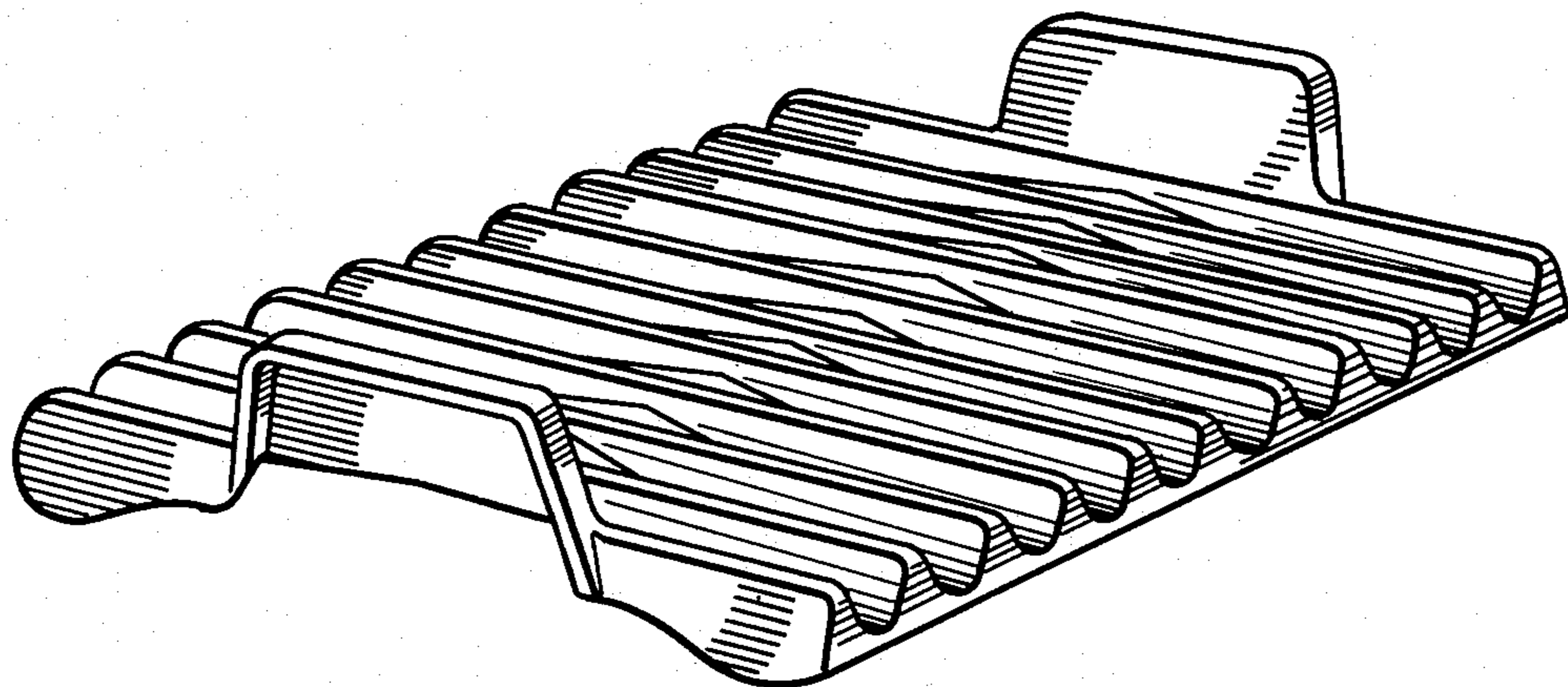
FIG. 2 is a top plan view thereof;

FIG. 3 is an end elevation thereof;

FIG. 4 is a sectional view thereof, taken on line 4—4 of FIG. 2;

FIG. 5 is a sectional view thereof, taken on line 5—5 of FIG. 2; and

FIG. 6 is a bottom perspective view thereof.



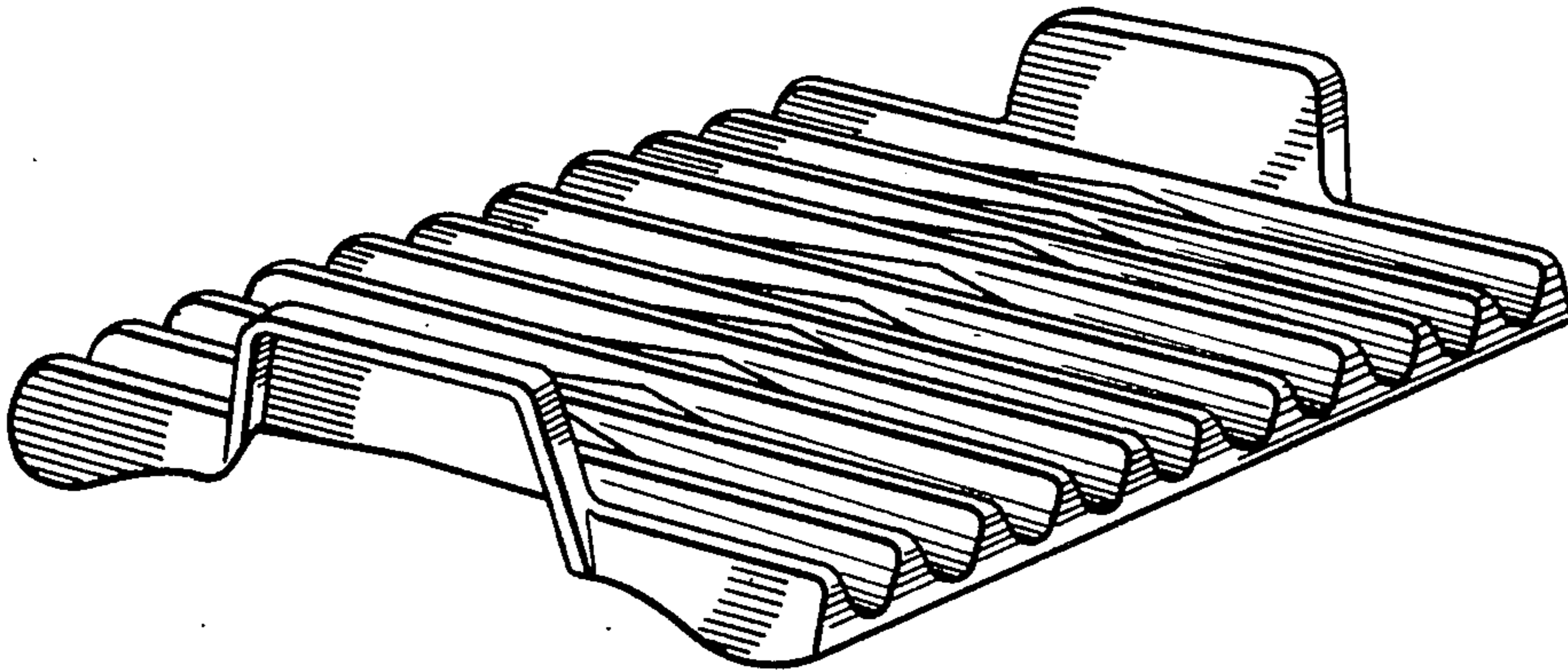


FIG. 1

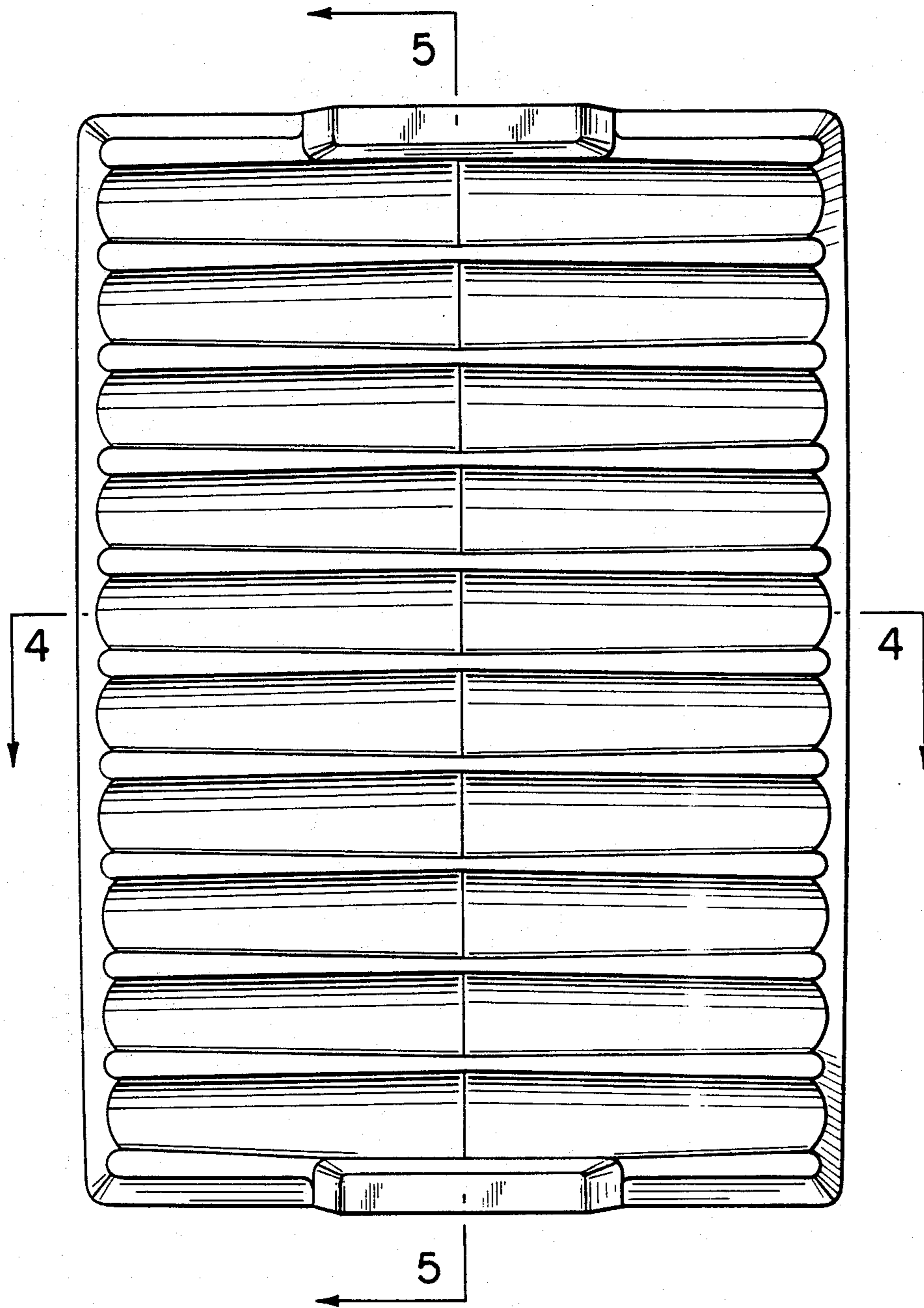


FIG. 2

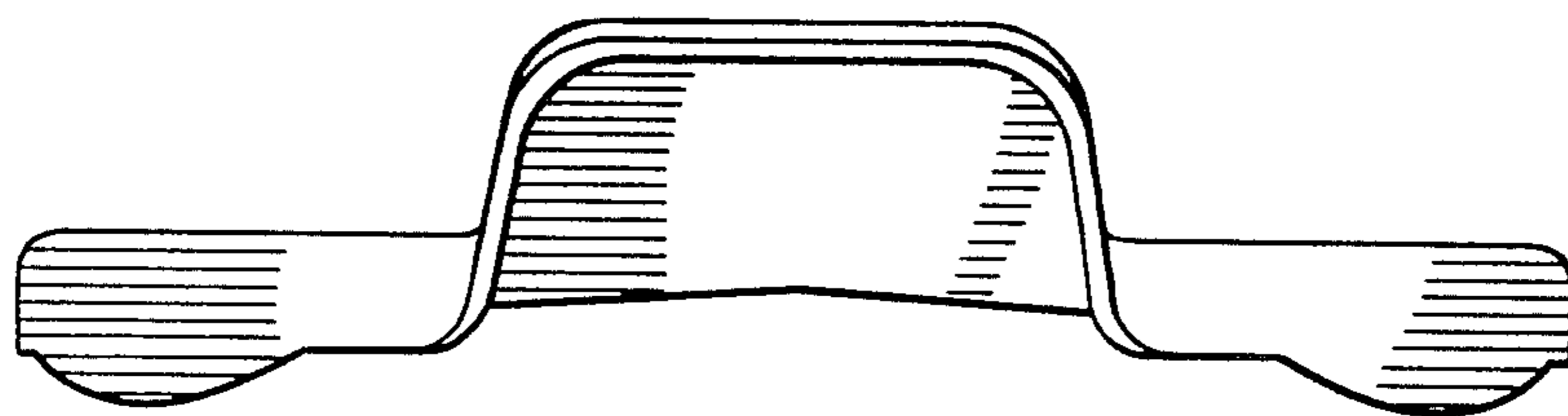


FIG. 3

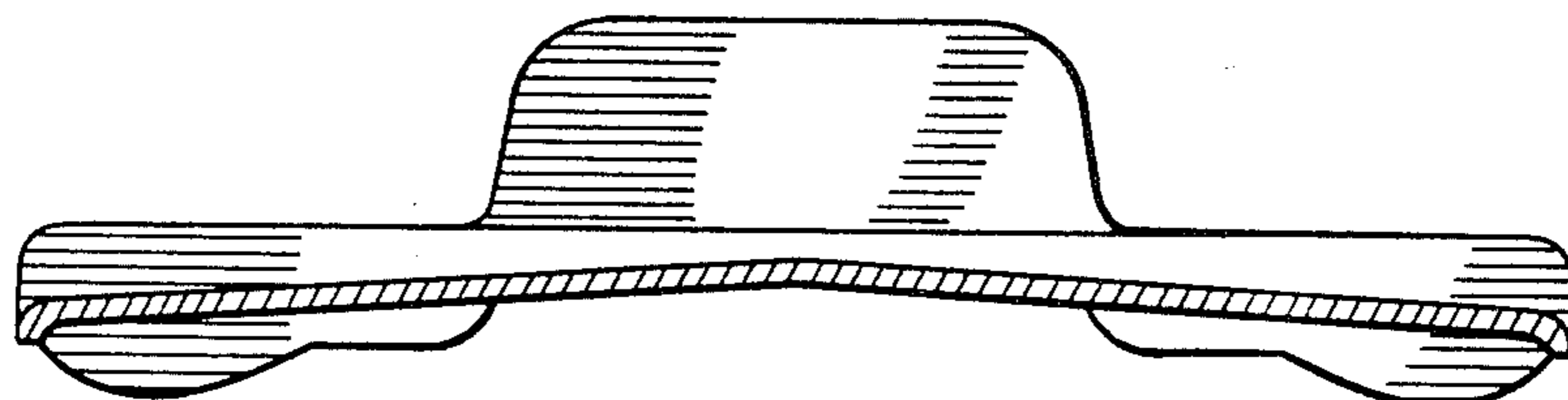


FIG. 4

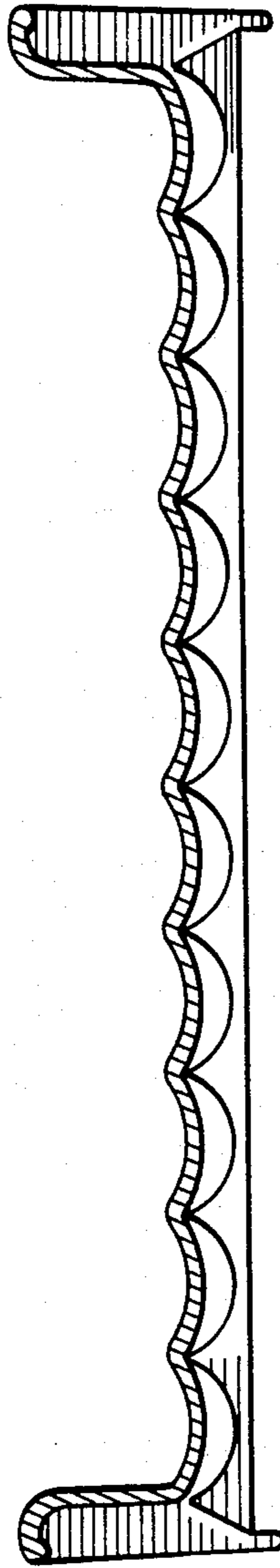


FIG. 5

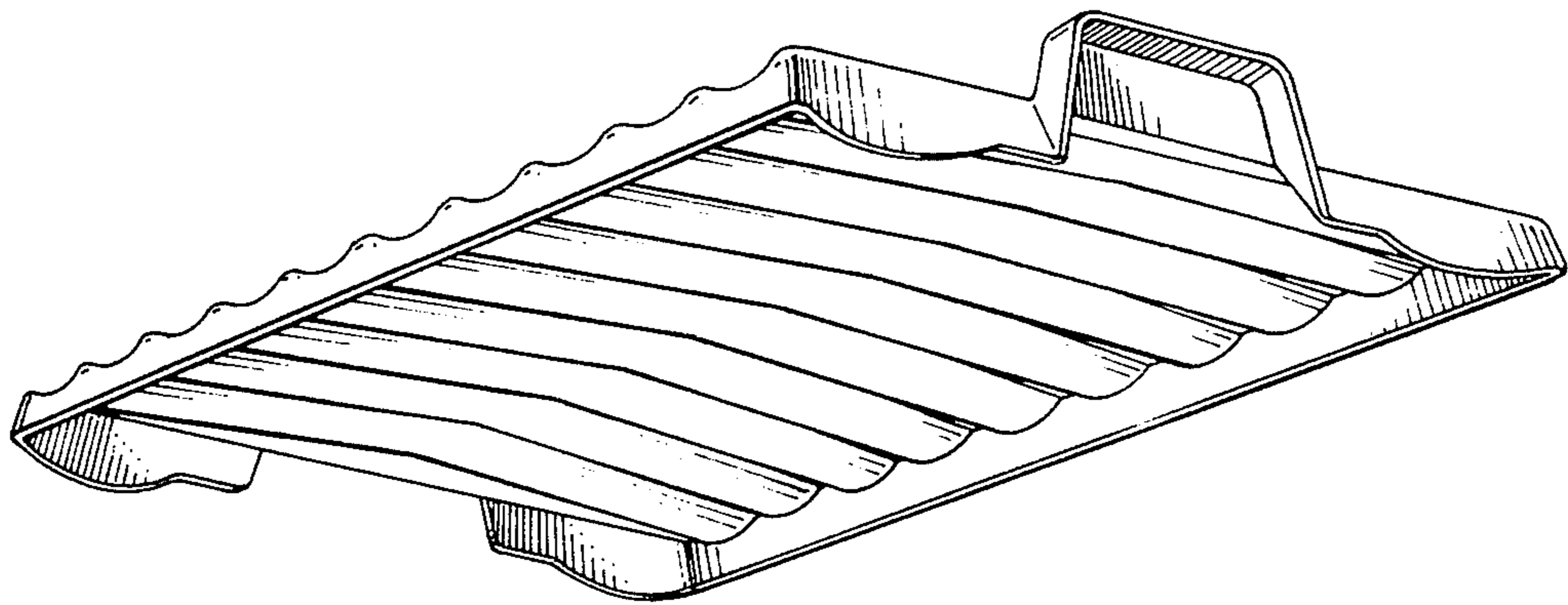


FIG. 6