

[54] **COOKING GRILL**

[76] Inventor: **Charlie Braswell**, Rte. 2, Box 248,
Burnet, Tex. 78611

[**] Term: **14 Years**

[21] Appl. No.: **473,655**

[22] Filed: **Mar. 9, 1983**

[52] U.S. Cl. **D7/335**

[58] Field of Search **D7/331-337;**
126/9 R, 9 A, 9 B, 25 R, 25 A, 25 AA, 25 B, 25
C, 29, 30, 41 R

[56] **References Cited**

U.S. PATENT DOCUMENTS

D. 226,455 3/1973 Dushek **D7/337**
D. 226,509 3/1973 Dushek **D7/337**

D. 252,248 7/1979 Huff **D7/334**
D. 260,348 8/1981 Larson **D7/335**
3,915,146 10/1975 Bauer **126/41 R**

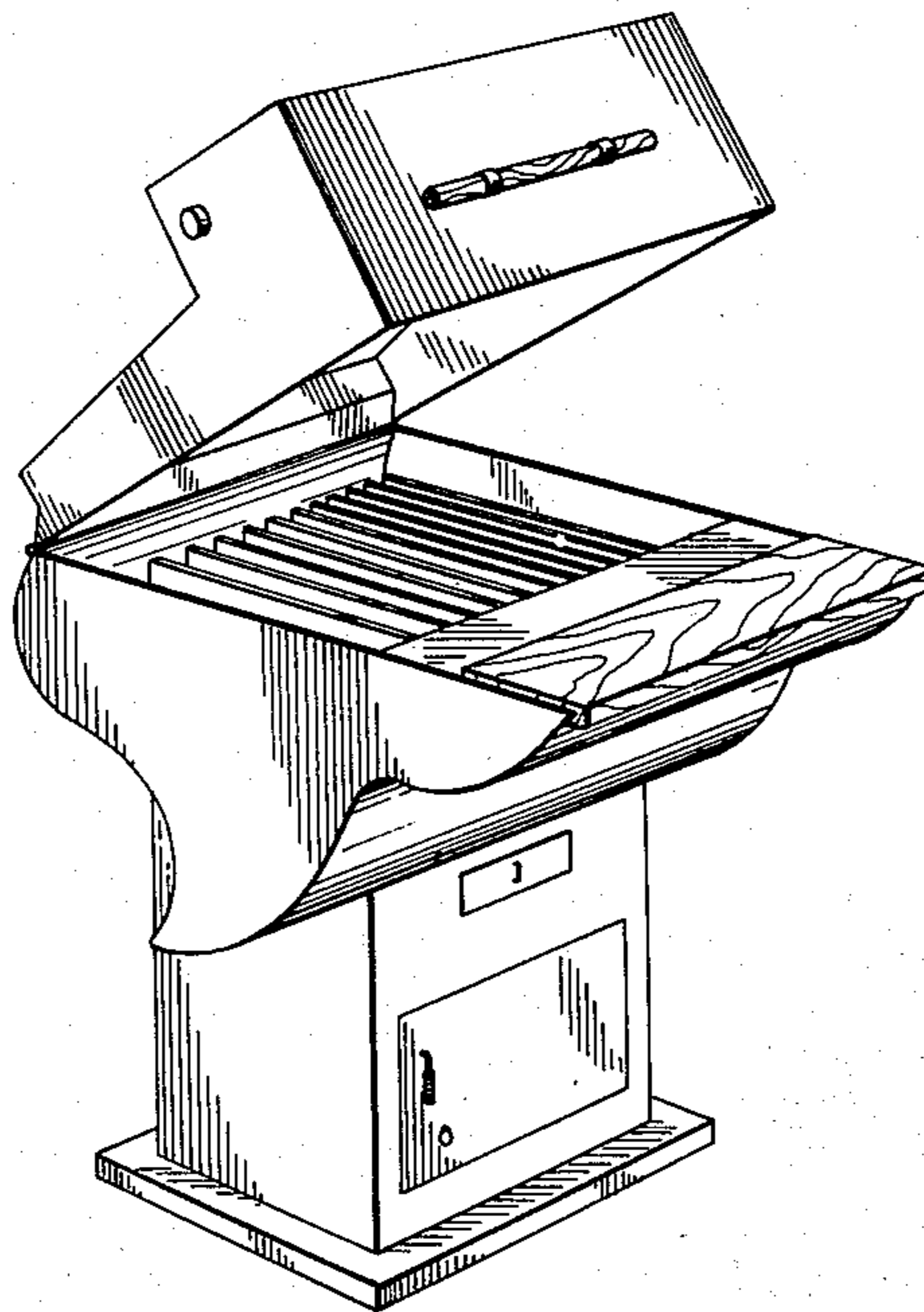
Primary Examiner—Wallace R. Burke
Assistant Examiner—Lynn Wilder
Attorney, Agent, or Firm—Walter C. Farley

[57] **CLAIM**

The ornamental design for a cooking grill, as shown and described.

DESCRIPTION

FIG. 1 is a left side front perspective view of a cooking grill showing my new design;
FIG. 2 is a right side perspective view thereof with the top cover partially open;
FIG. 3 is a left side rear perspective view thereof; and
FIG. 4 is a top plan view thereof.



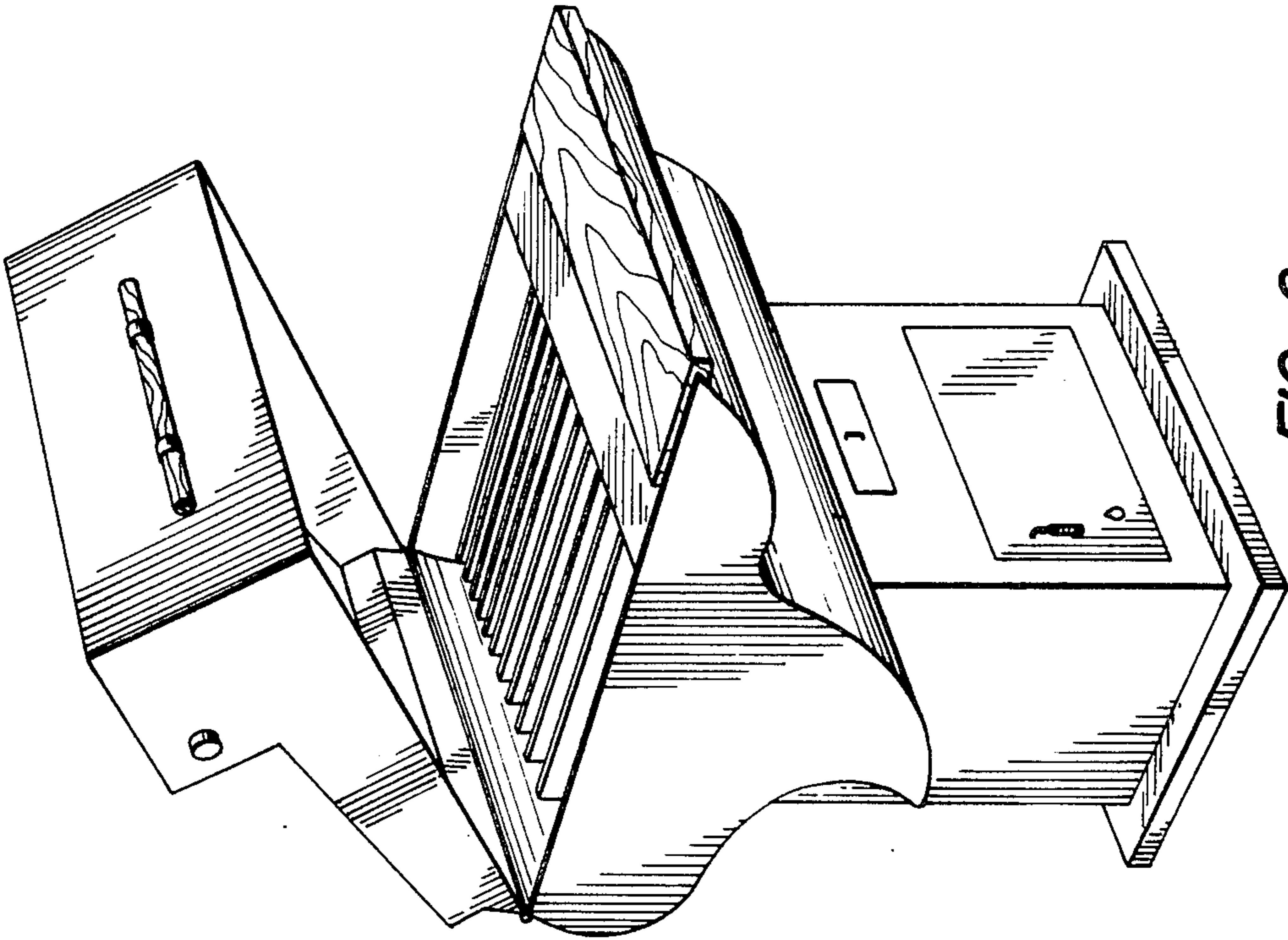


FIG. 2

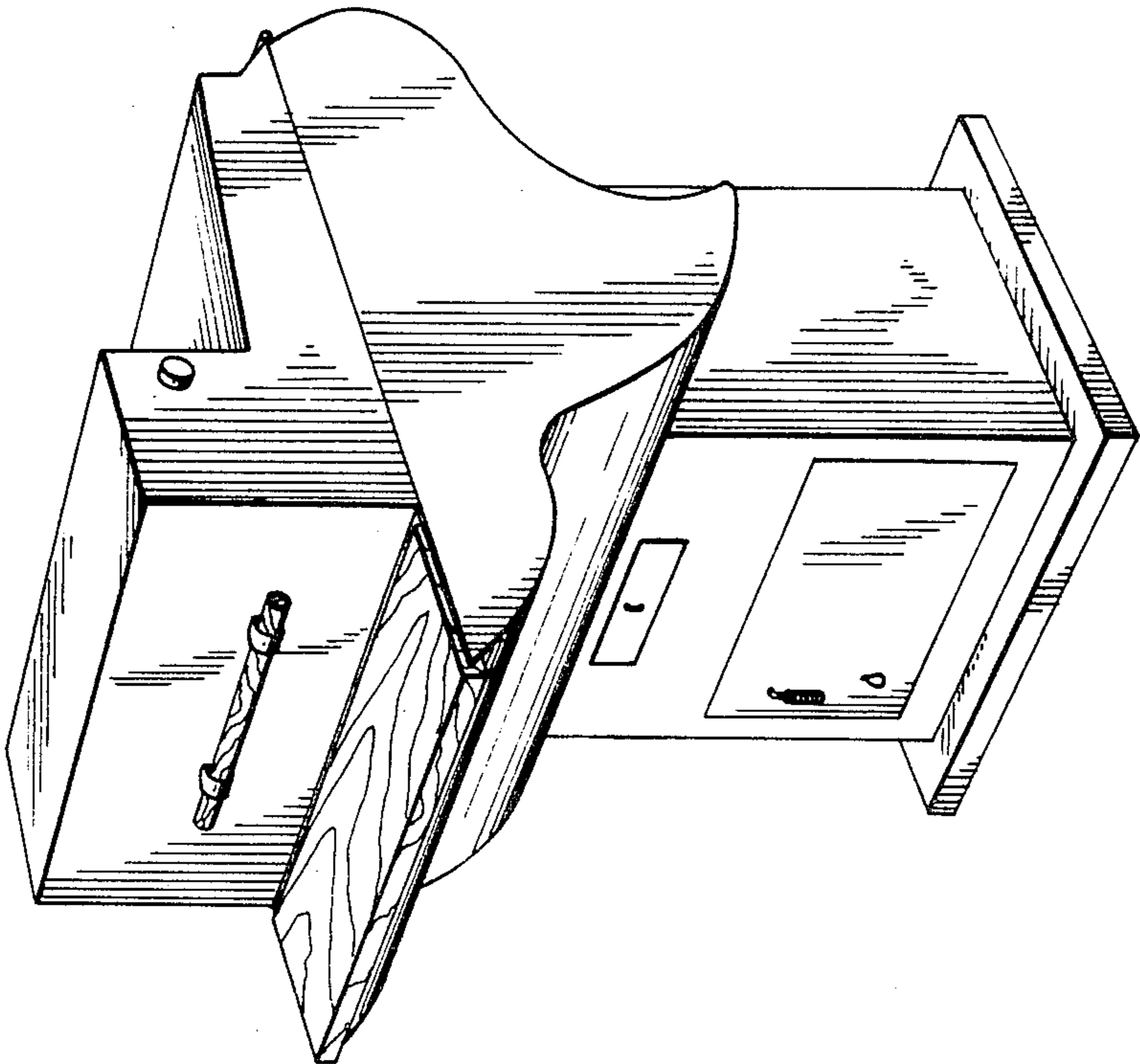


FIG. 1

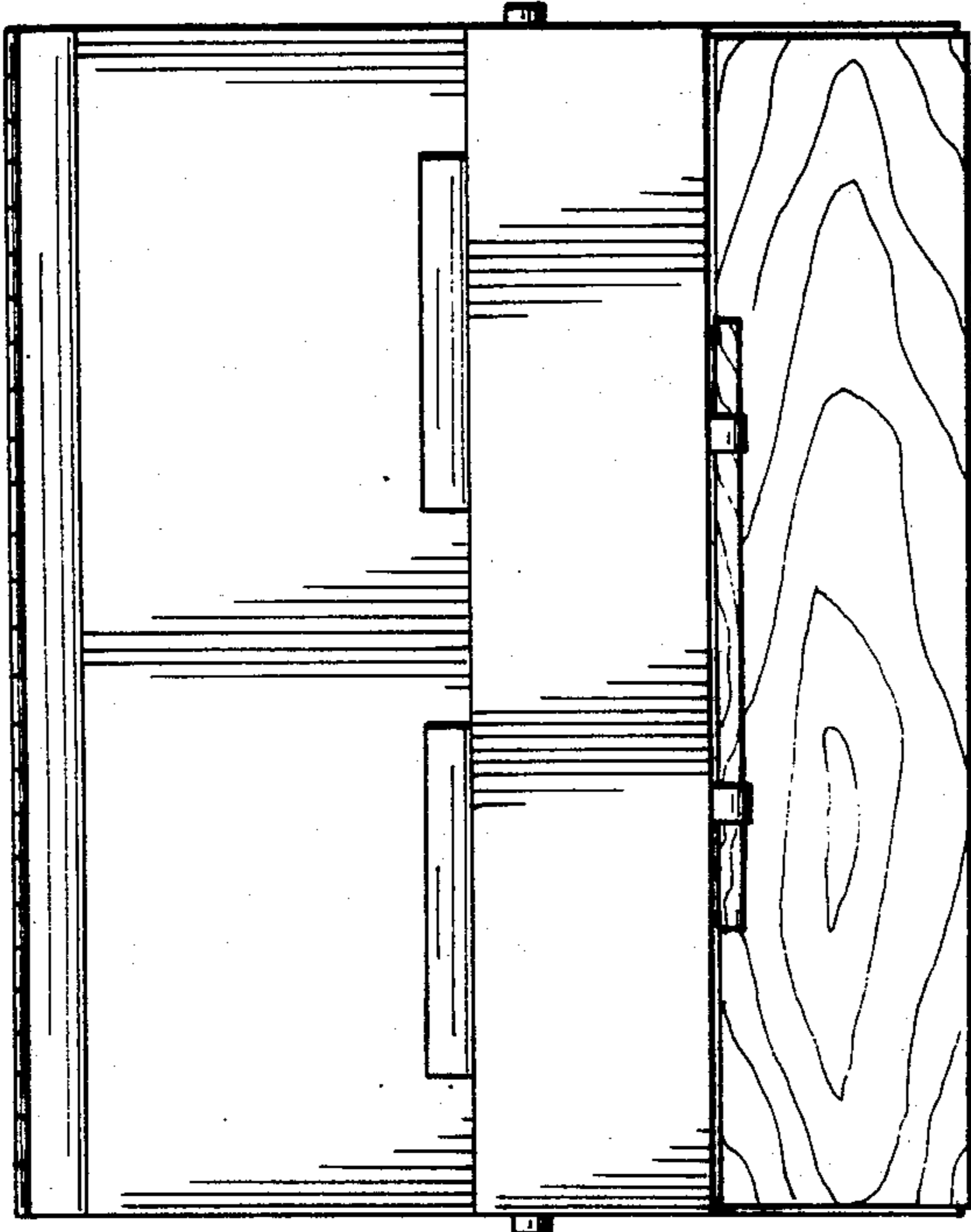


FIG. 4

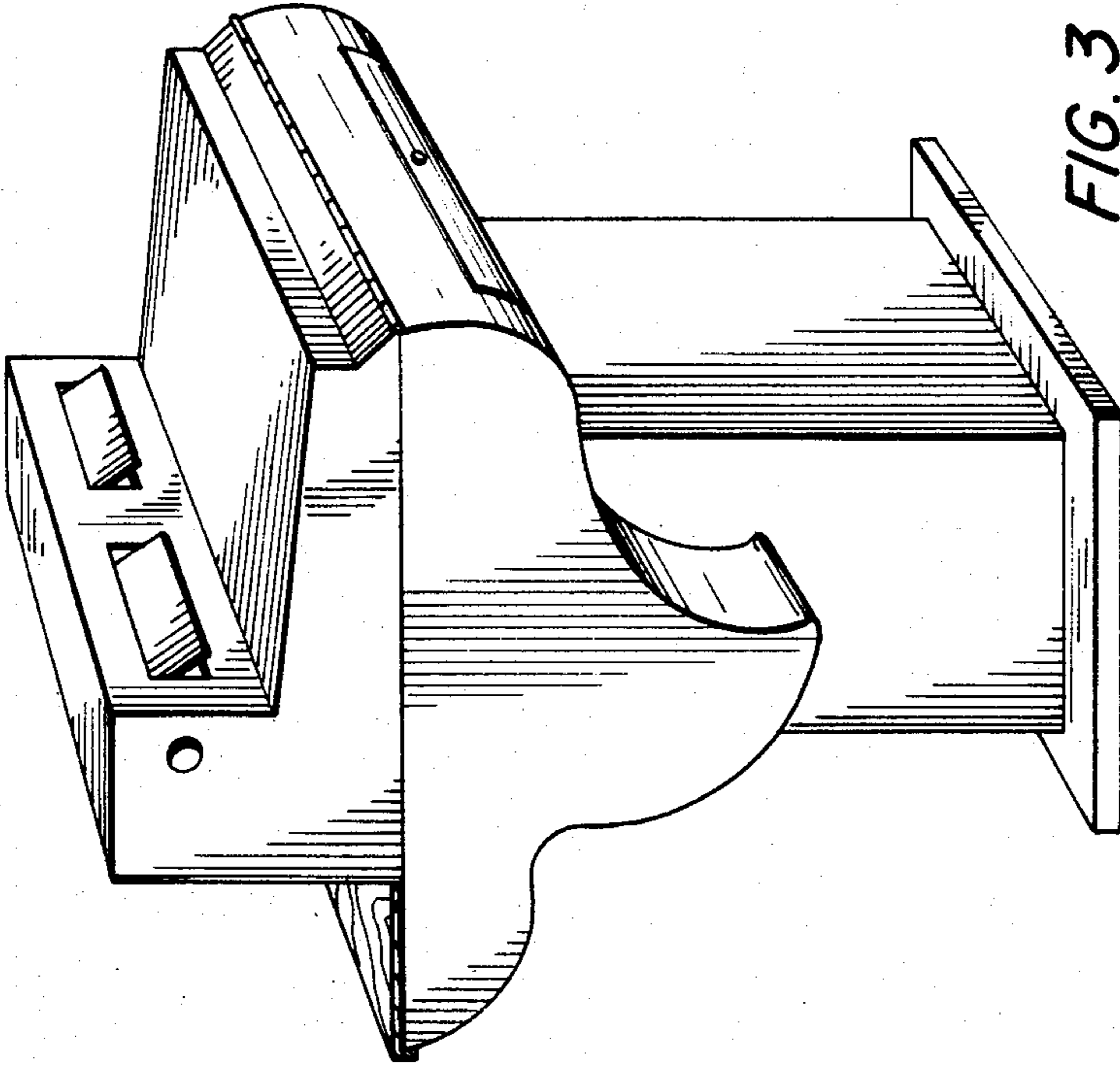


FIG. 3