

[54] WINE BUCKET

[76] Inventor: Richard F. Gildart, 10051 Aspen Cir., Santa Fe Spring, Calif. 90670

[**] Term: 14 Years

[21] Appl. No.: 445,664

[22] Filed: Feb. 16, 1983

[52] U.S. Cl. D7/70; D7/78

[58] Field of Search D7/39, 37, 9, 6, 70, D7/78, 79, 1, 71

[56] References Cited

U.S. PATENT DOCUMENTS

- D. 109,481 3/1938 Jackson D7/1 X
- D. 189,864 3/1961 Bloomfield D7/70
- D. 193,199 7/1962 Ebstein D7/79

- D. 260,066 8/1981 Dark D7/70
- D. 260,067 8/1981 Dark D7/70

Primary Examiner—Winifred E. Herrmann
Attorney, Agent, or Firm—Banner, Birch, McKie & Beckett

[57] CLAIM

The ornamental design for a wine bucket, substantially as shown and described.

DESCRIPTION

FIG. 1 is a side elevational view of a wine bucket showing my new design; the side opposite is a mirror image thereof;

FIG. 2 is a top plan view thereof;

FIG. 3 is a front elevational view thereof;

FIG. 4 is a rear elevational view thereof; and

FIG. 5 is a bottom plan view thereof.

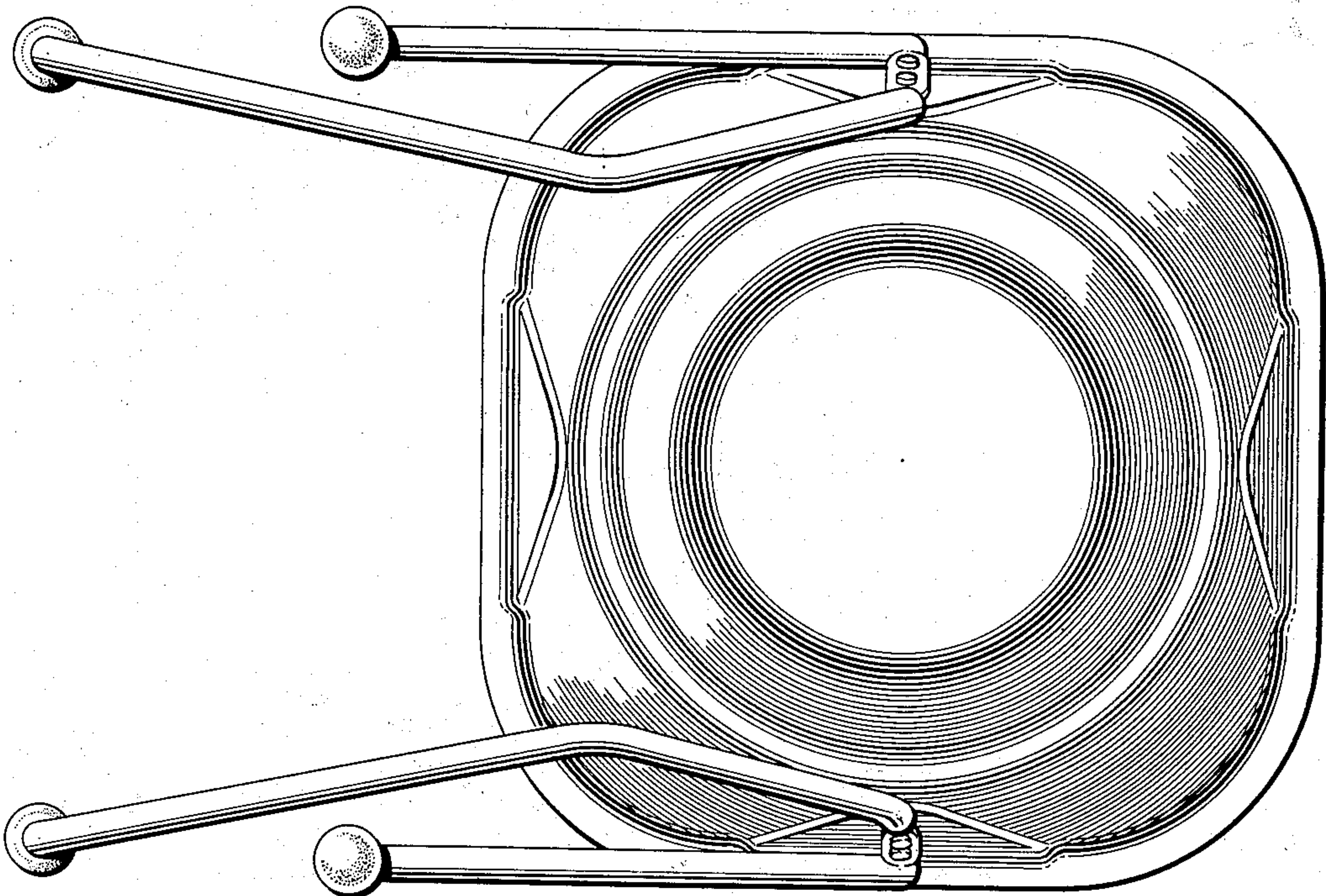
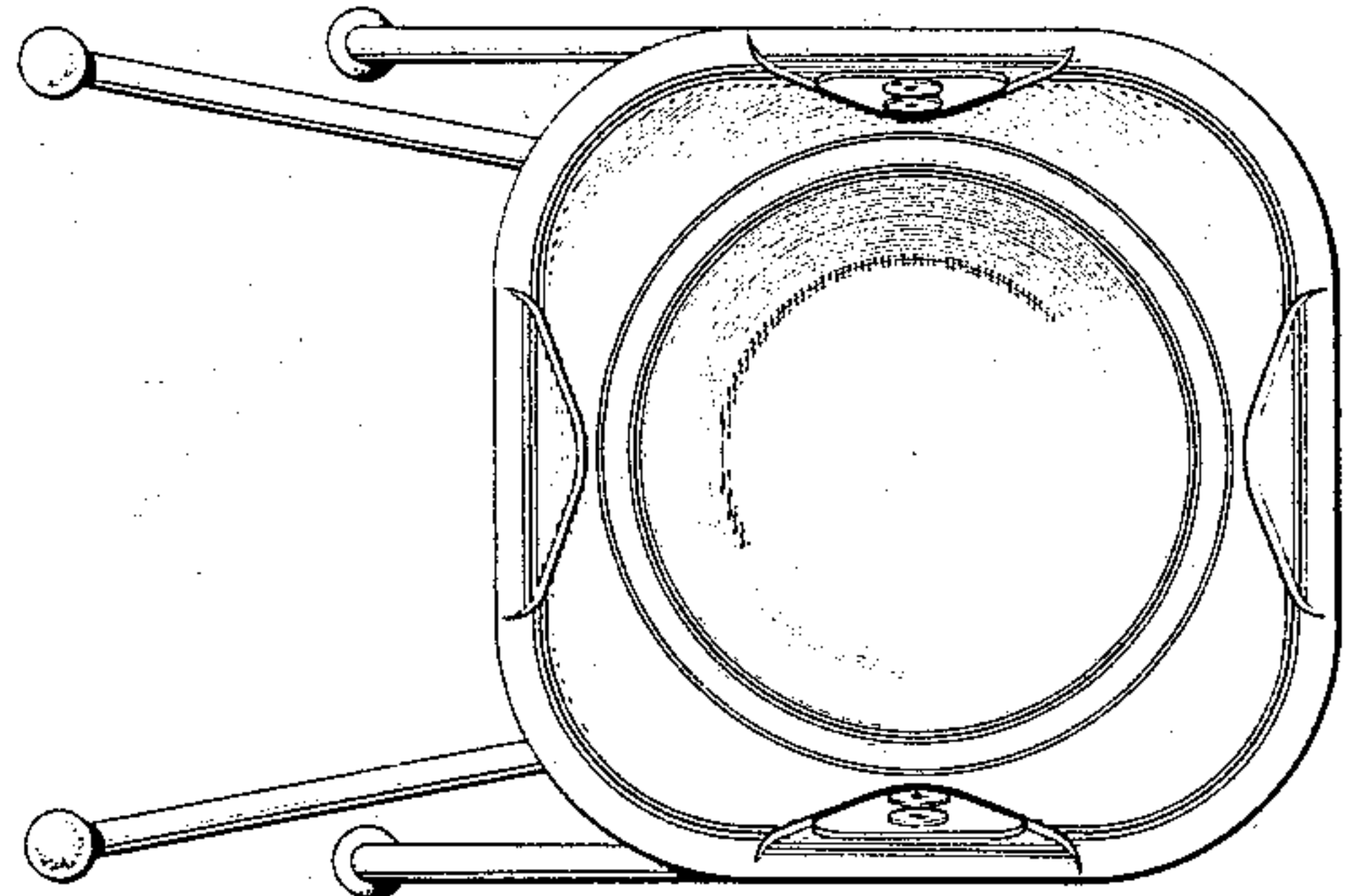
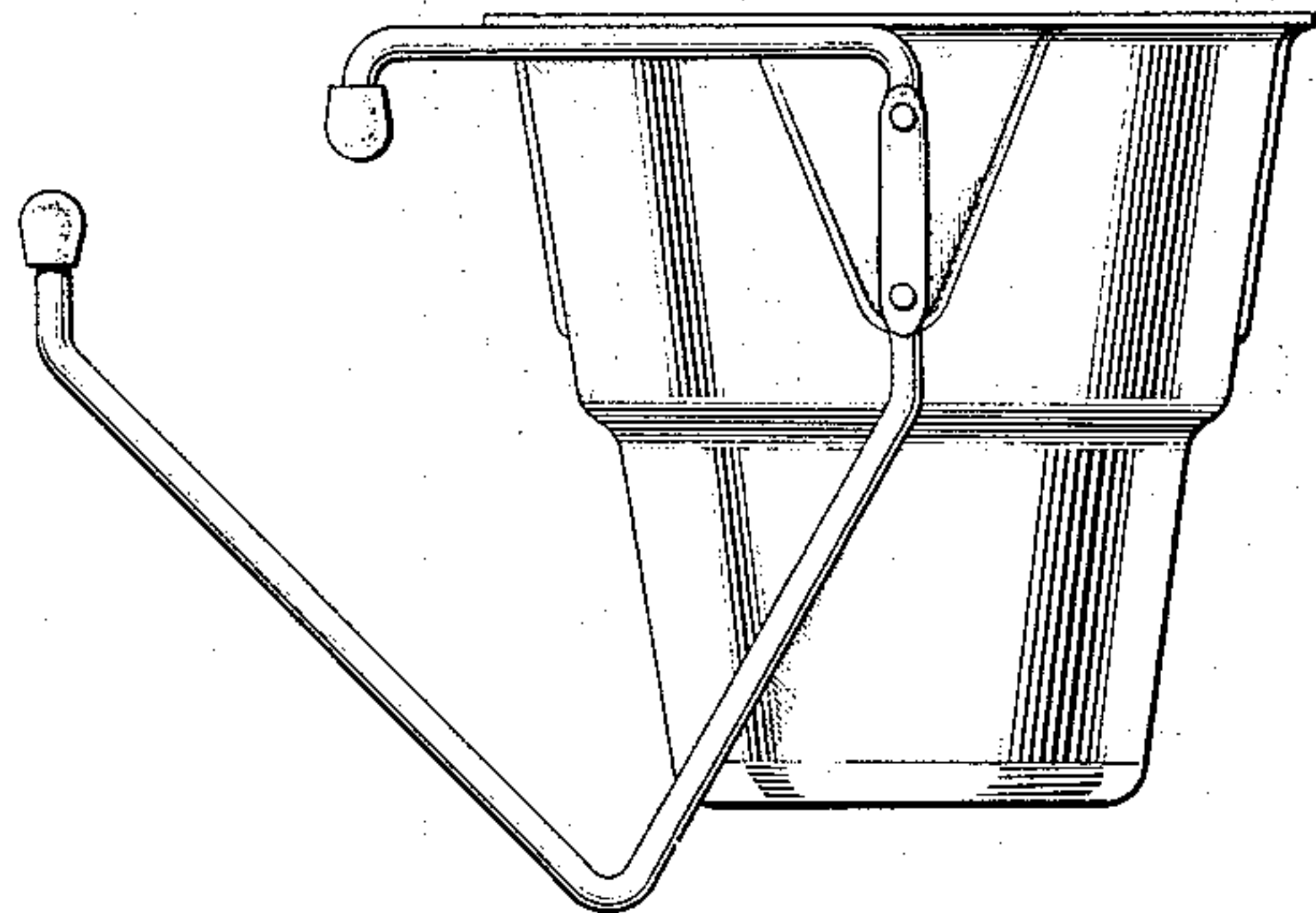


FIG. 1

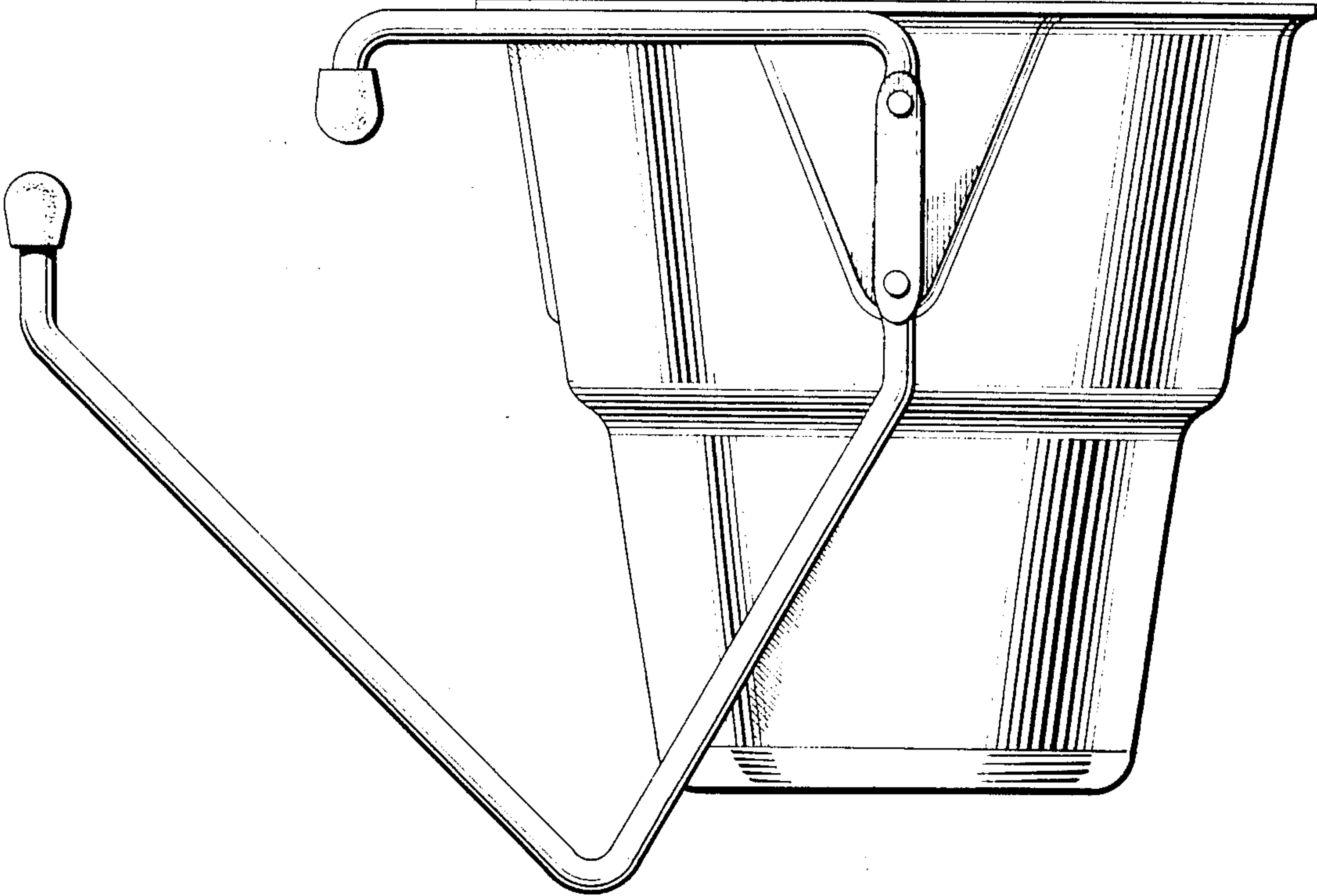


FIG. 2

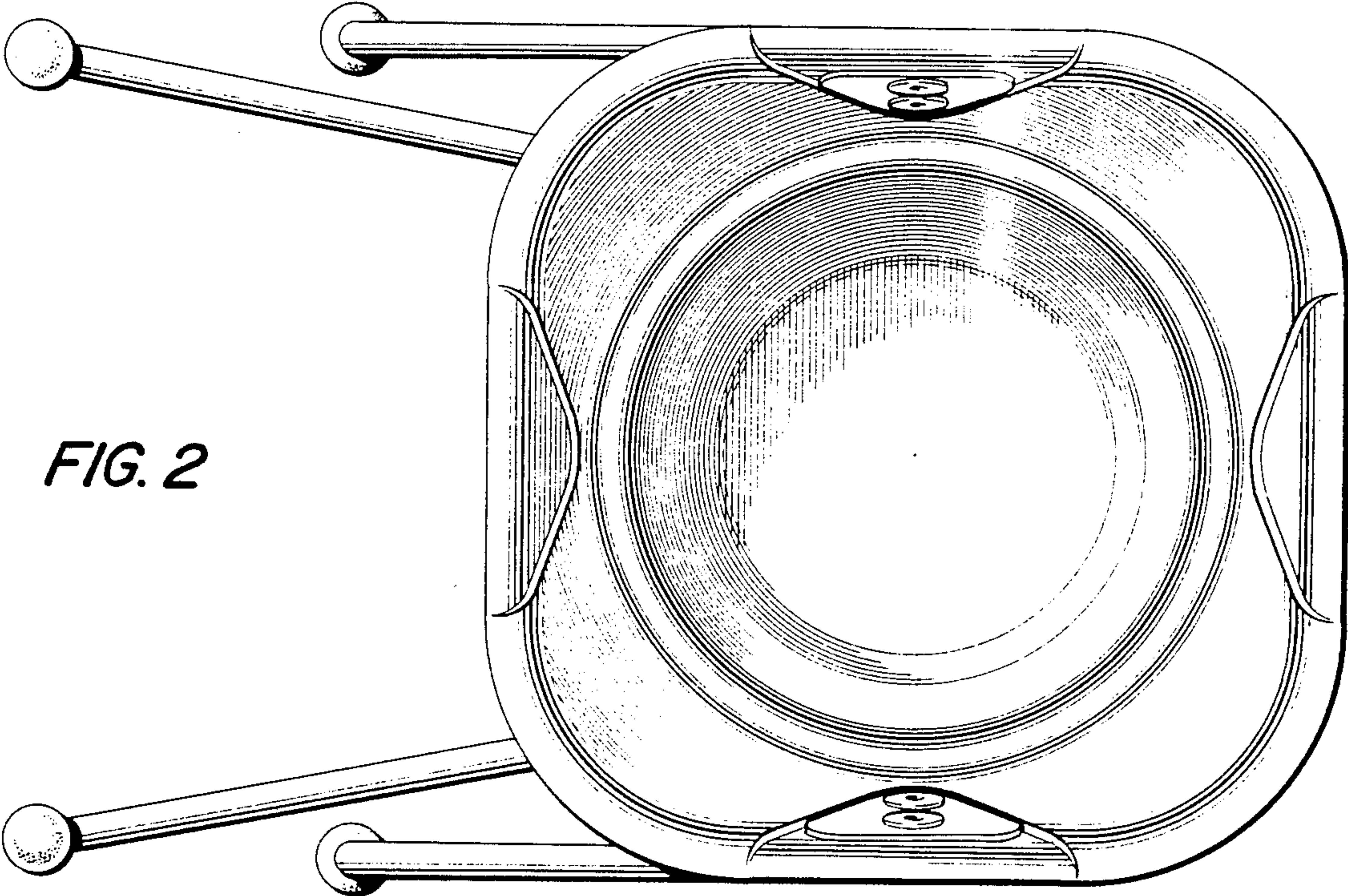


FIG. 3

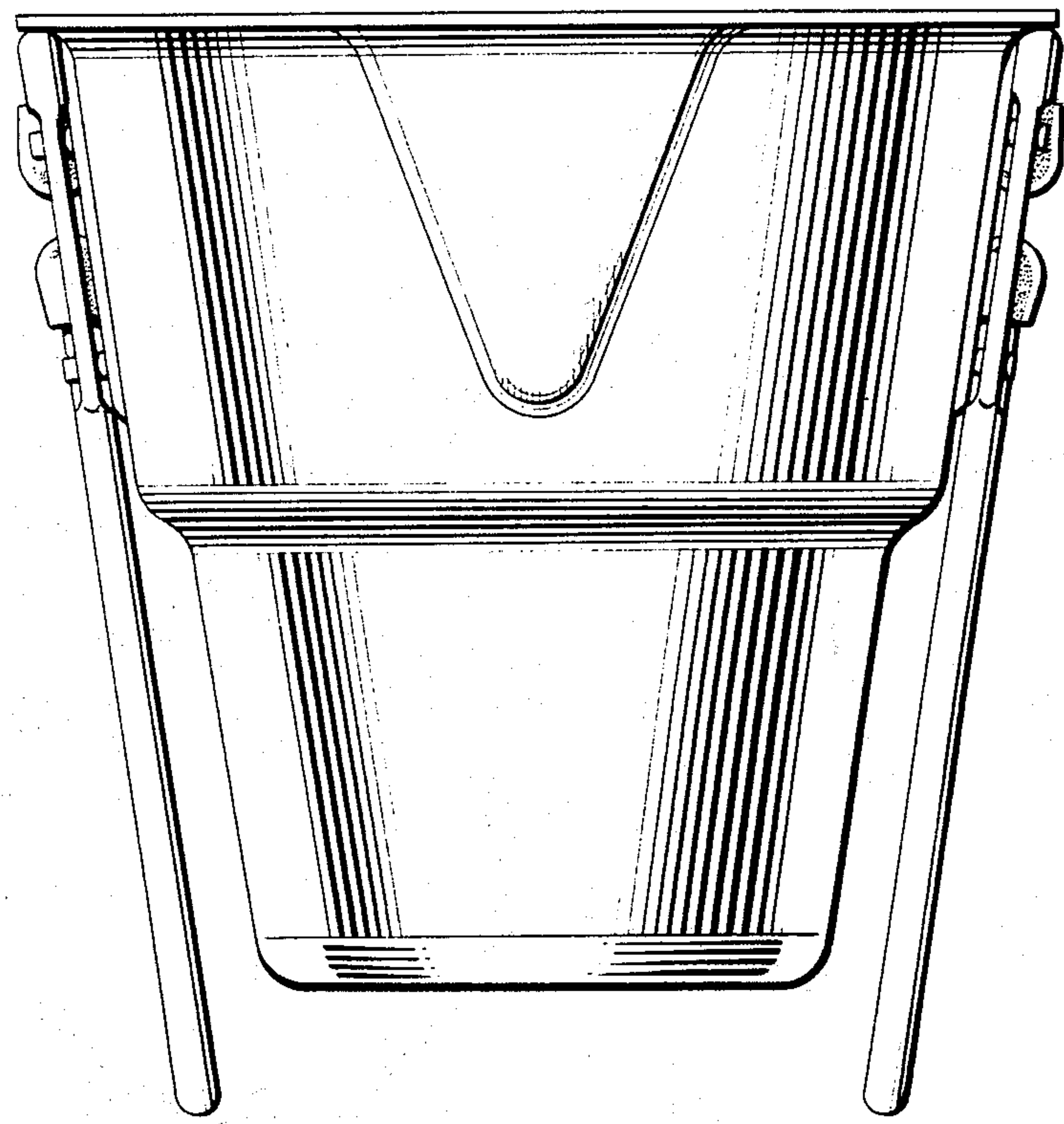
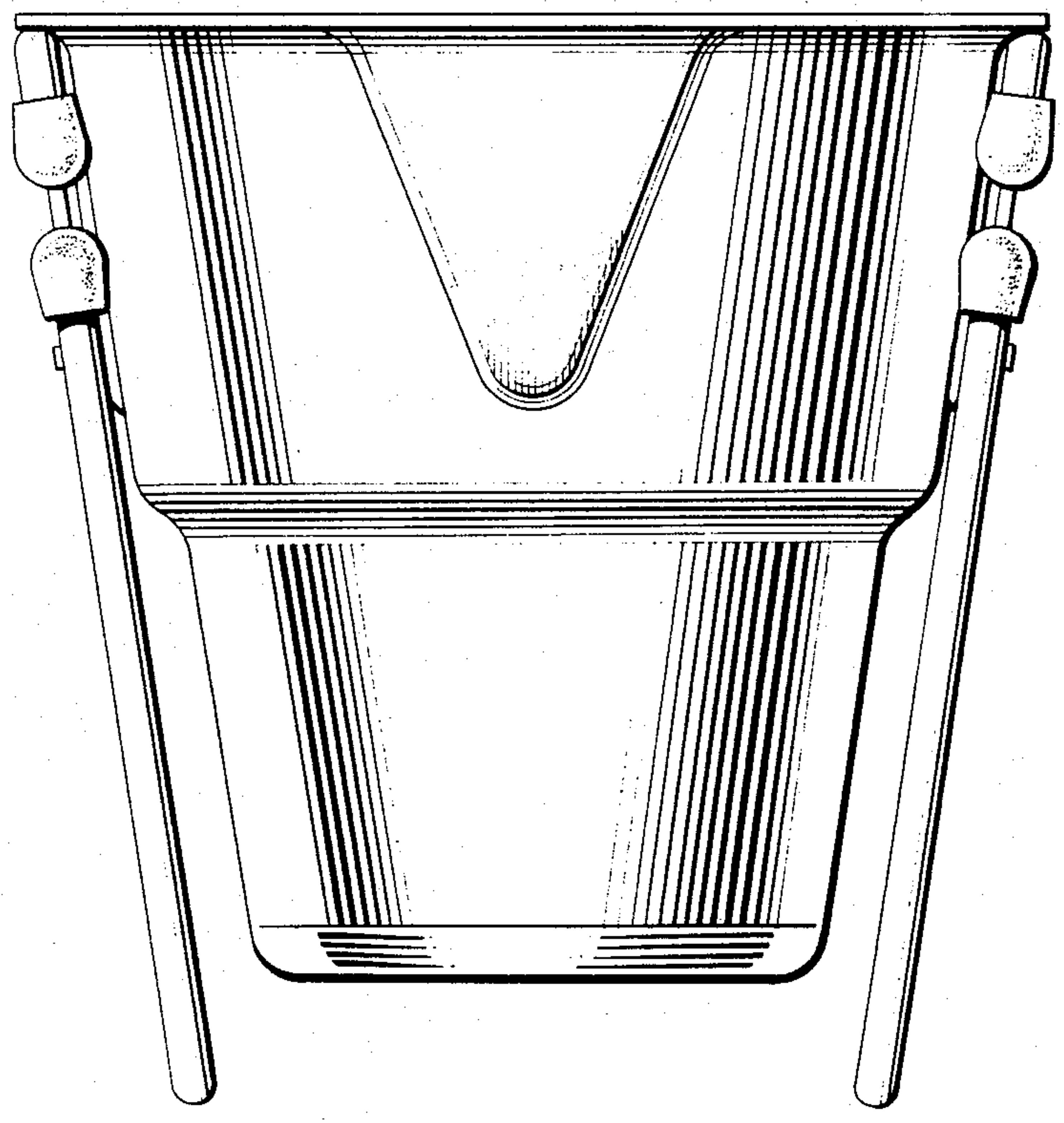


FIG. 4



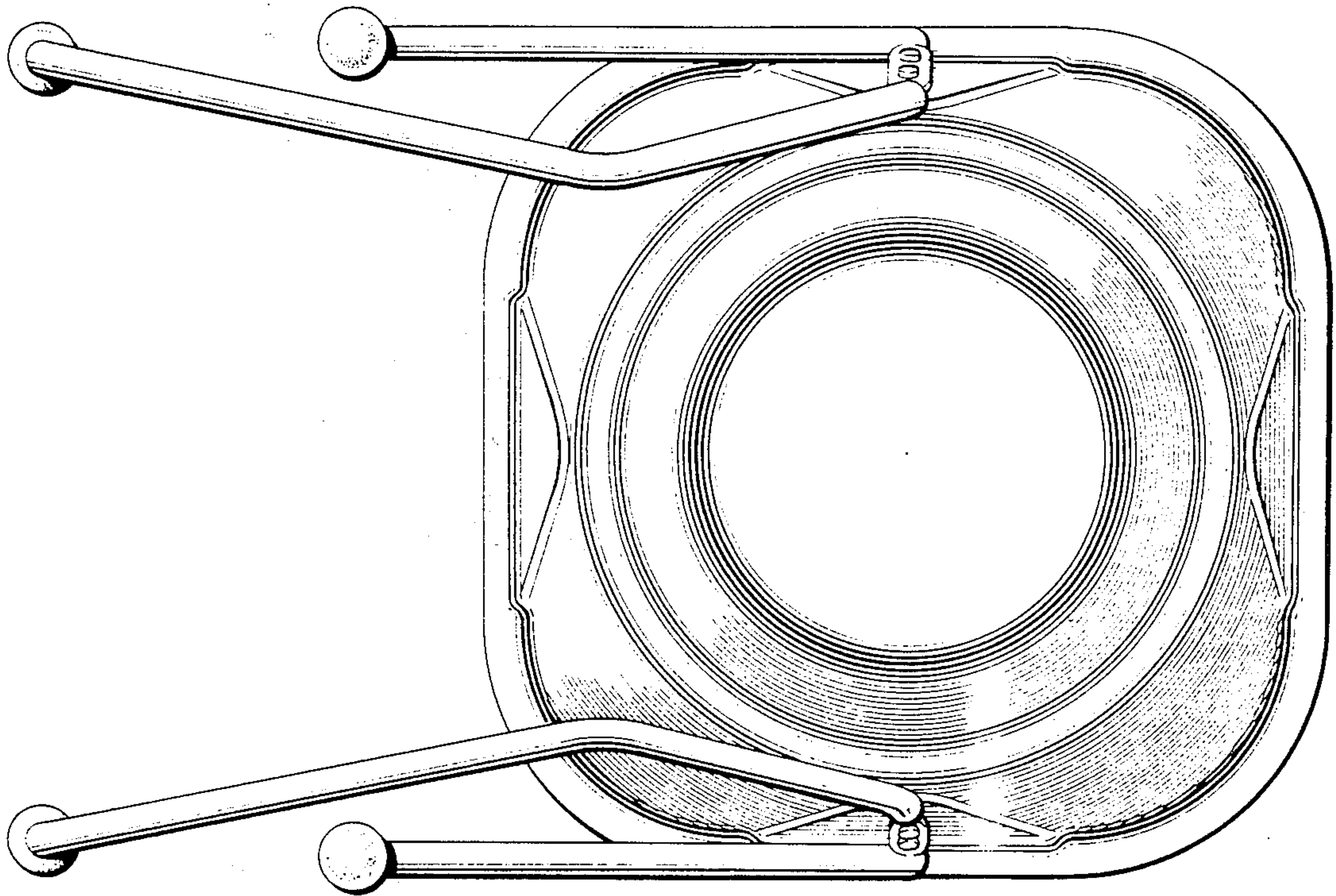


FIG. 5