

[54] DETACHABLE CARRIER FOR PICNIC PLATES, CUPS AND ACCESSORIES

[76] Inventor: Frank Zucker, 501 Anita St., Chula Vista, Calif. 92011

[**] Term: 14 Years

[21] Appl. No.: 447,766

[22] Filed: Feb. 18, 1983

[52] U.S. Cl. D3/30.1; D3/40; D7/71

[58] Field of Search D3/30.1, 74; D7/70-74, D7/52, 58; 224/273; 294/27 R, 27 H, 143, 146; 206/502

[56] References Cited

U.S. PATENT DOCUMENTS

D. 156,486 12/1949 Collins et al. D7/71

D. 232,341 8/1974 Mudde D7/71
D. 251,174 2/1979 Biever D7/70
D. 257,194 10/1980 Von Roth D7/74
4,083,482 4/1978 Strenczewilk 206/502
4,169,562 10/1979 Miller D7/71

Primary Examiner—George P. Word
Attorney, Agent, or Firm—Charles C. Logan, II

[57] CLAIM

The ornamental design for a detachable carrier for picnic plates, cups and accessories, substantially as shown.

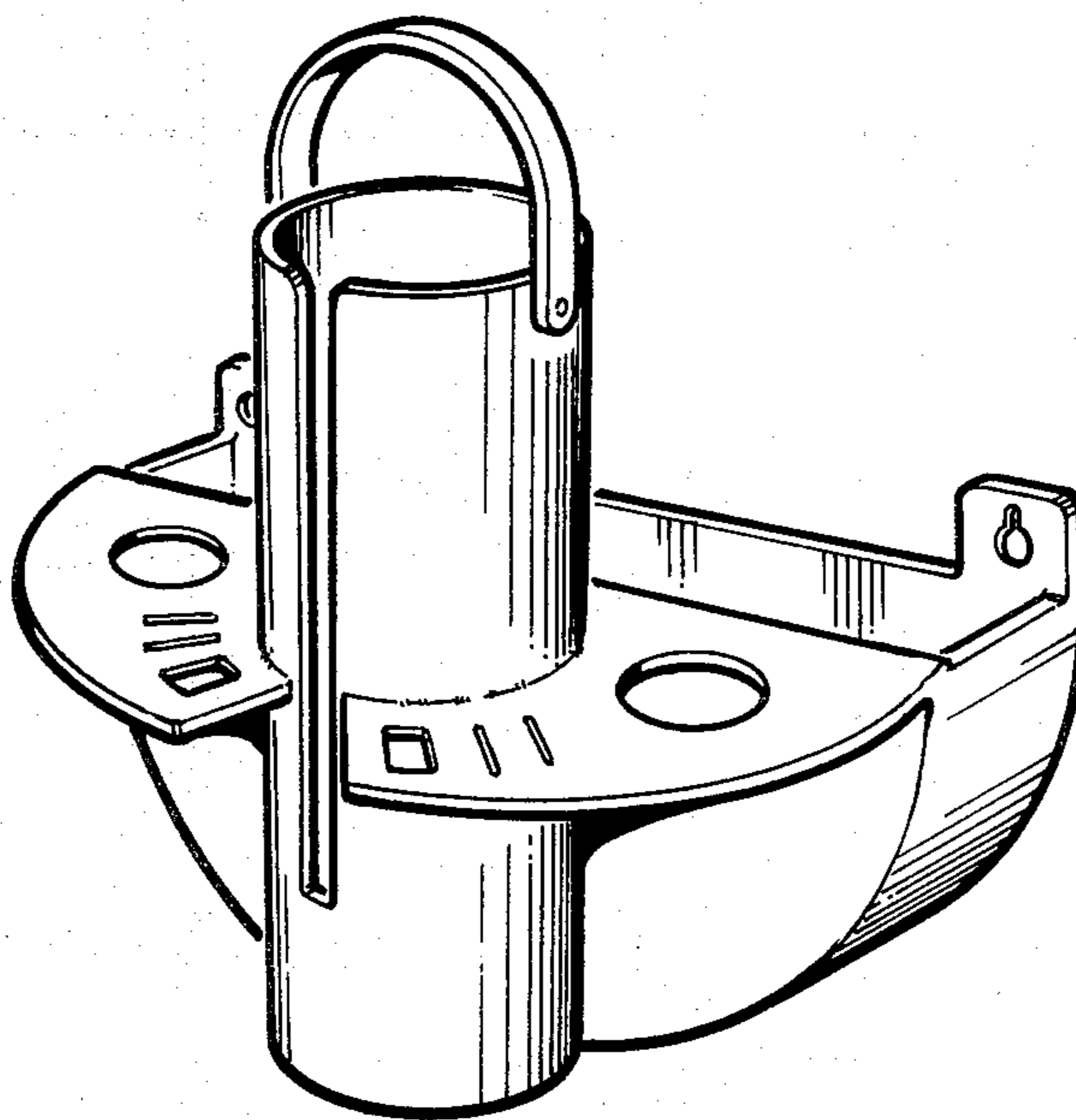
DESCRIPTION

FIG. 1 is a top plan view of a detachable carrier for picnic plates, cups and accessories showing my new design;

FIG. 2 is a front elevational view thereof;

FIG. 3 is a right side elevational view thereof; and

FIG. 4 is a perspective view thereof.



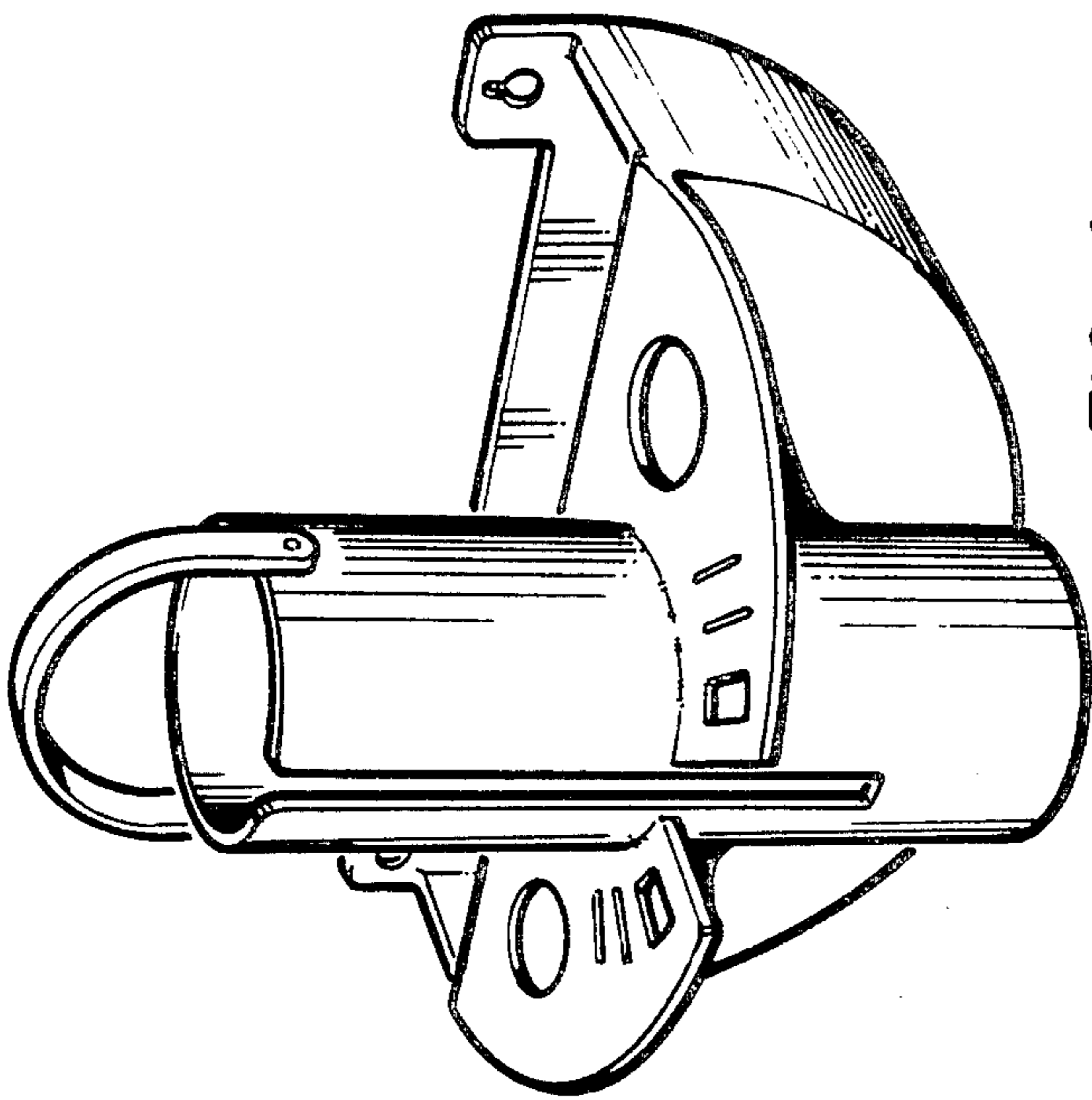


FIG. 4

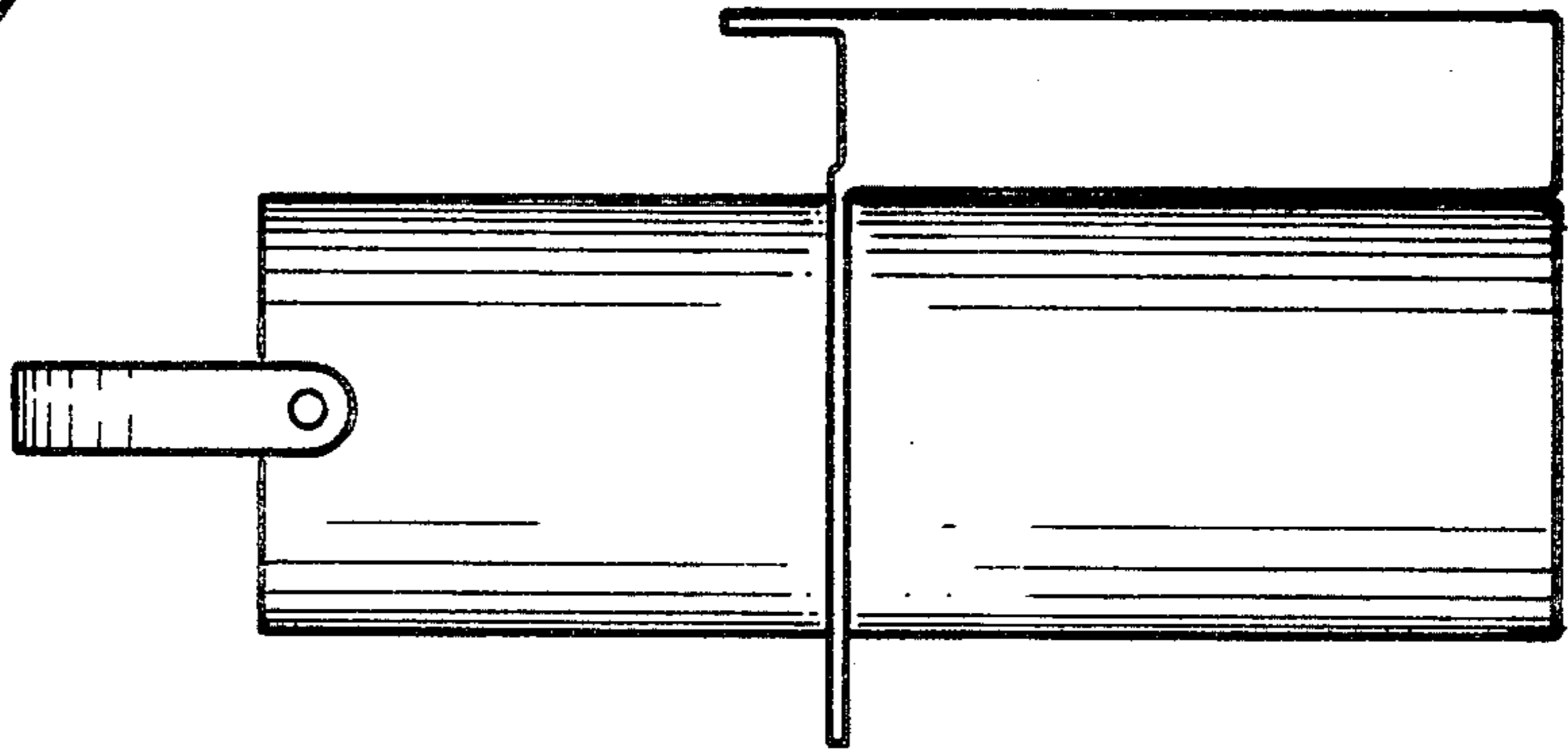


FIG. 3

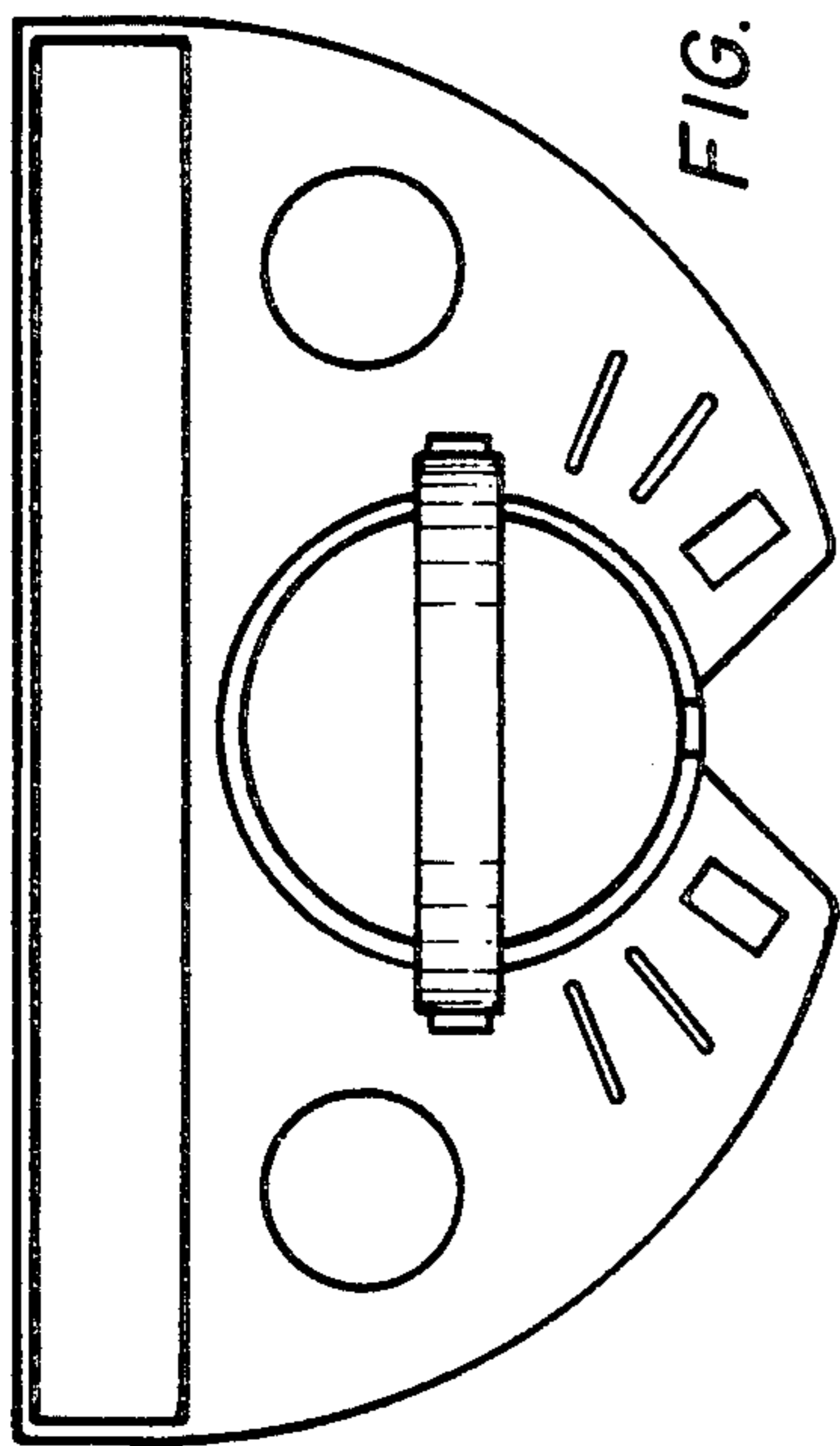


FIG. 1

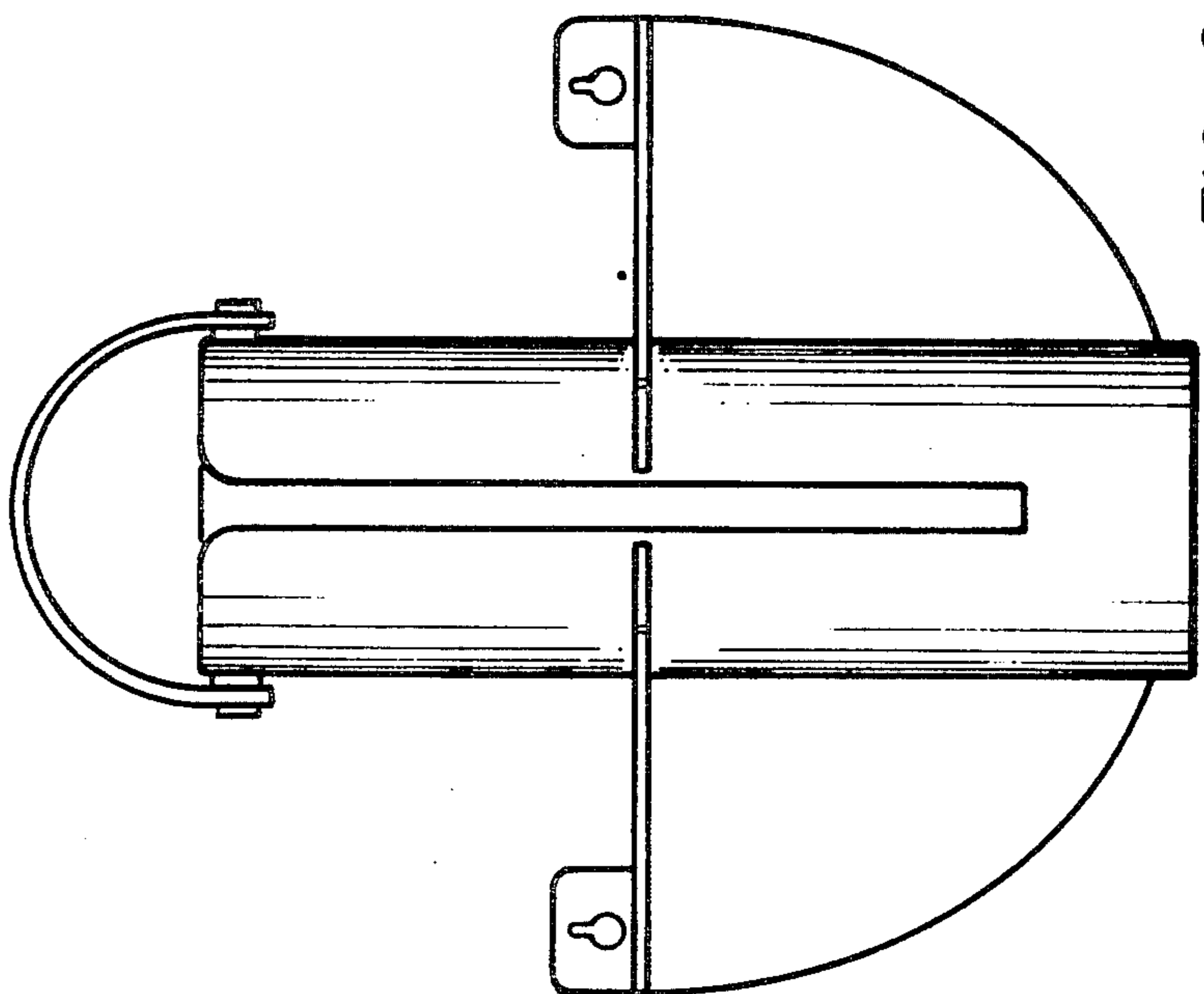


FIG. 2