

[54] COMBINED SCRAPER, REFINISHING TOOL, WALL PAPER TOOL AND CHISEL

[76] Inventor: James H. Grunz, 5080 Woodson Dr., Mission, Kans. 66202

[\*\*] Term: 14 Years

[21] Appl. No.: 394,825

[22] Filed: Jul. 2, 1982

[52] U.S. Cl. .... D32/49; D8/105

[58] Field of Search ..... 15/236 R, 105; 7/105, 7/167, 168, 170; 30/169, 171, 172; D32/40, 42, 46, 48, 49, 51; D8/98, 105

[56] References Cited

U.S. PATENT DOCUMENTS

429,515	6/1890	Fred	15/236 R
736,741	8/1903	Klemm	30/169 X
821,176	5/1906	Leland	30/169 X
898,568	9/1908	Emmerson	7/105
1,018,518	2/1912	Pettit	15/236 R X
1,092,447	4/1914	Leland	7/105 X
3,562,826	2/1971	Vaughn	30/169 X

OTHER PUBLICATIONS

Red Devil, Inc. Catalog #29- ©1970-p. 8-Scraper #4110.

Primary Examiner—Catherine E. Kemper

[57] CLAIM

The ornamental design for a combined scraper, refinishing tool, wall paper tool and chisel, as shown and described.

DESCRIPTION

FIG. 1 is a top plan view of a combined scraper, refinishing tool, wall paper tool and chisel, showing my new design;

FIG. 2 is a left side elevational view, the right side being a mirror image thereof;

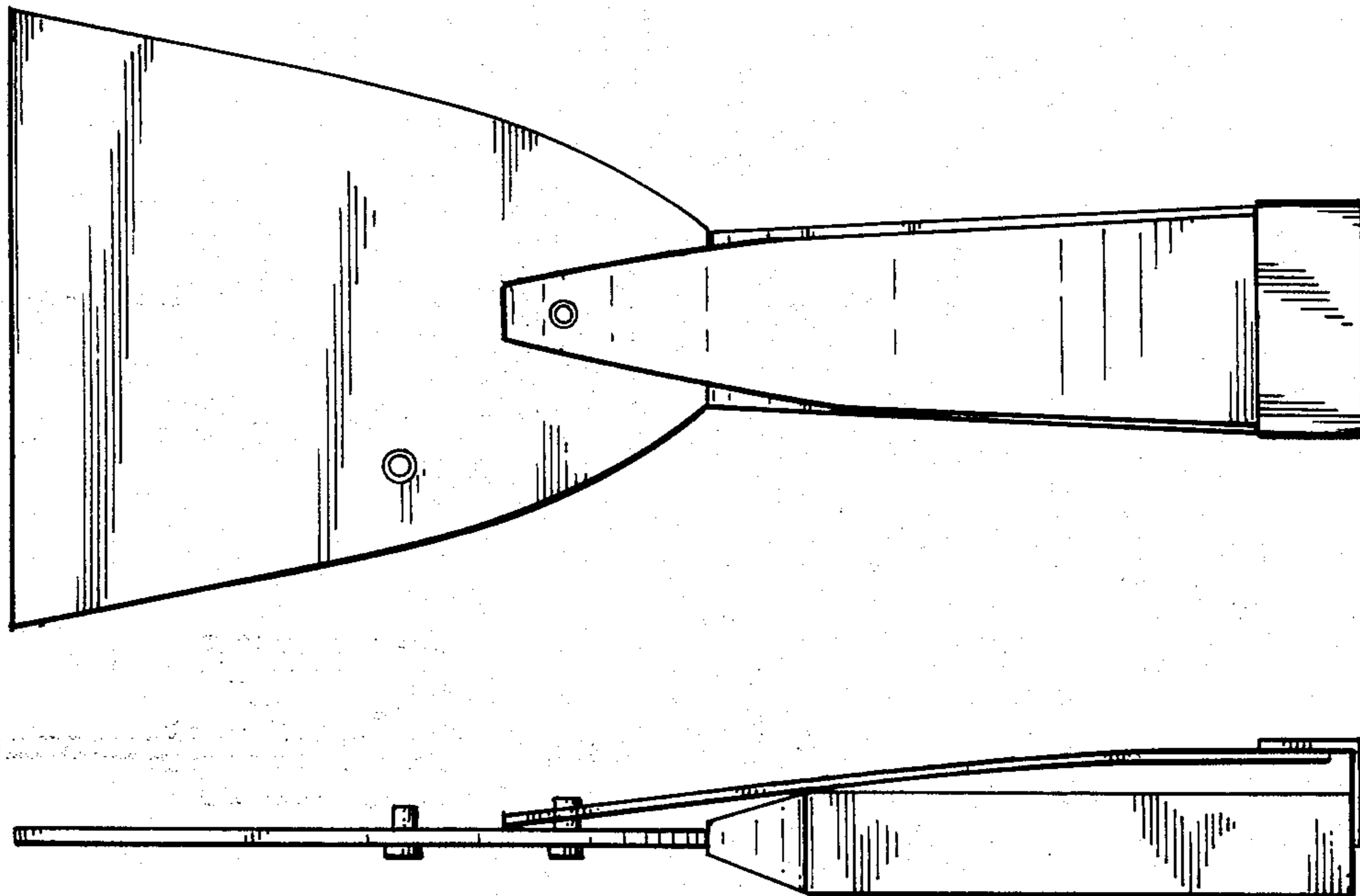
FIG. 3 is a bottom plan view thereof;

FIG. 4 is a left end elevational view thereof;

FIG. 5 is a right end elevational view thereof;

FIG. 6 is a top plan view with the chisel extended for use;

FIG. 7 is a side elevational view thereof.



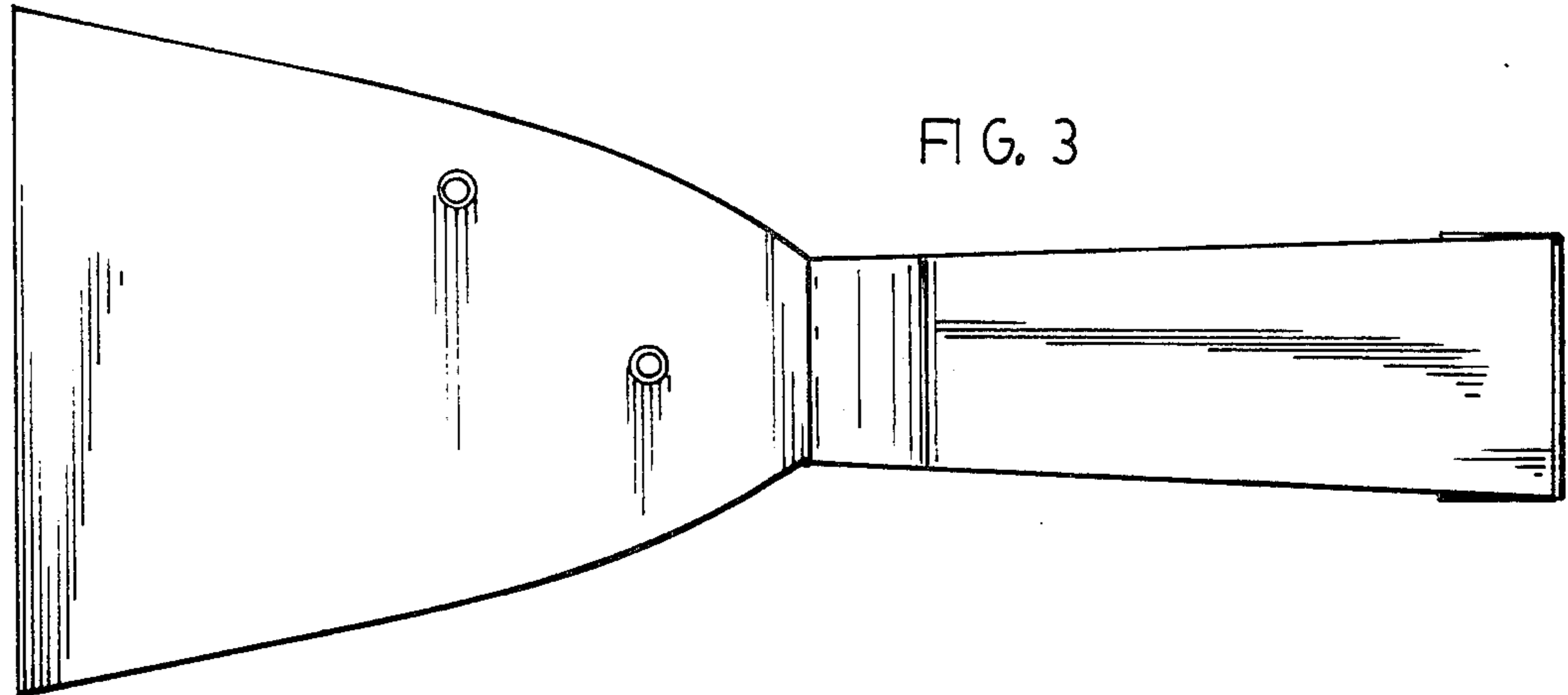
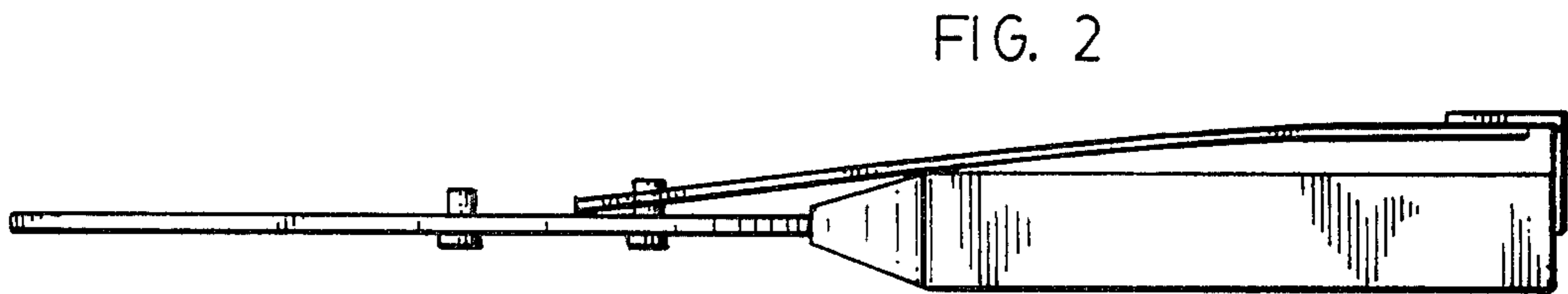
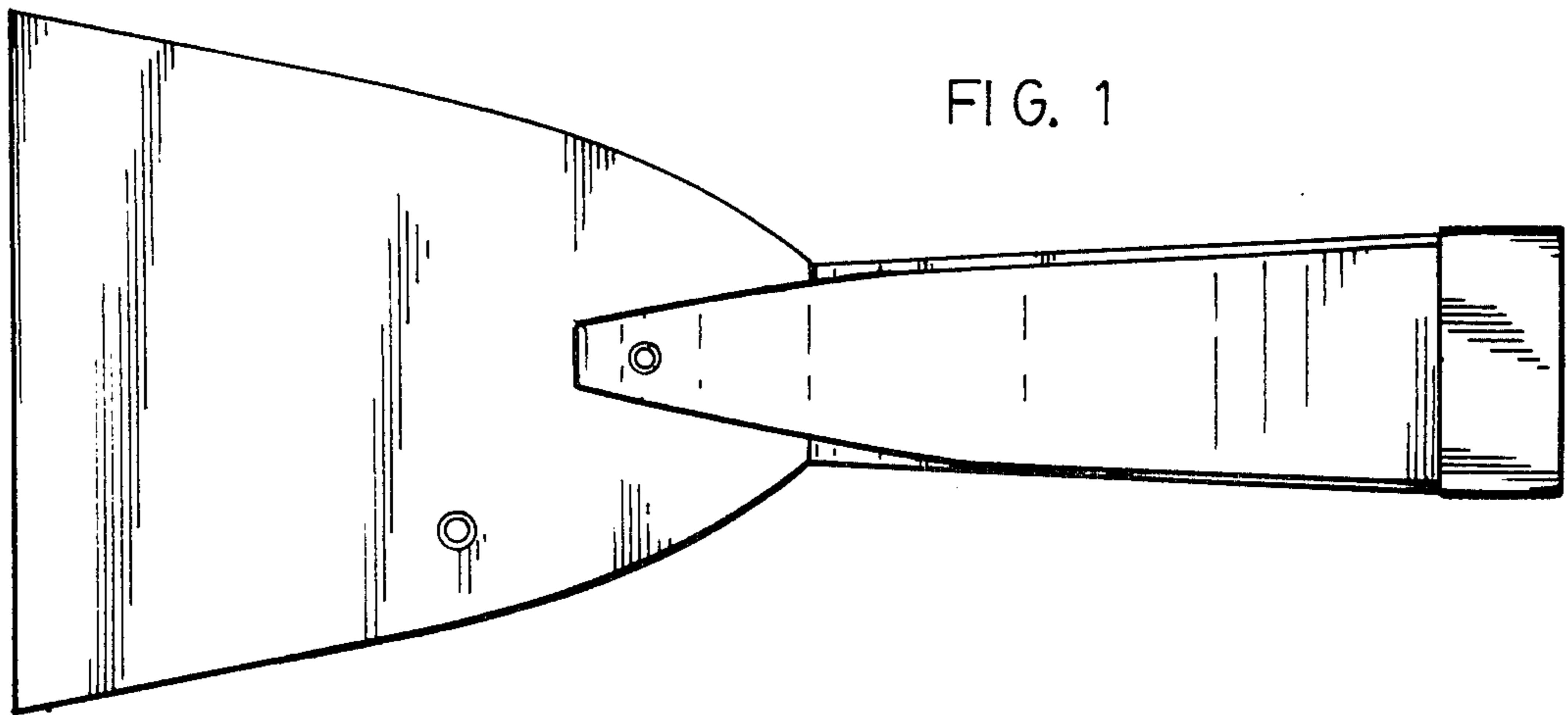


FIG. 4

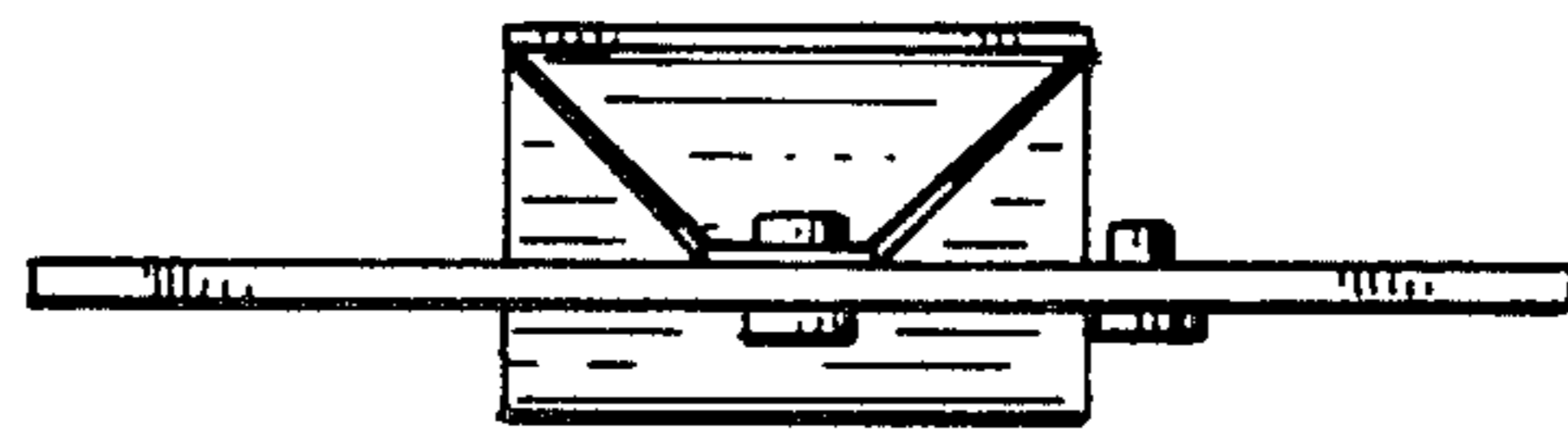
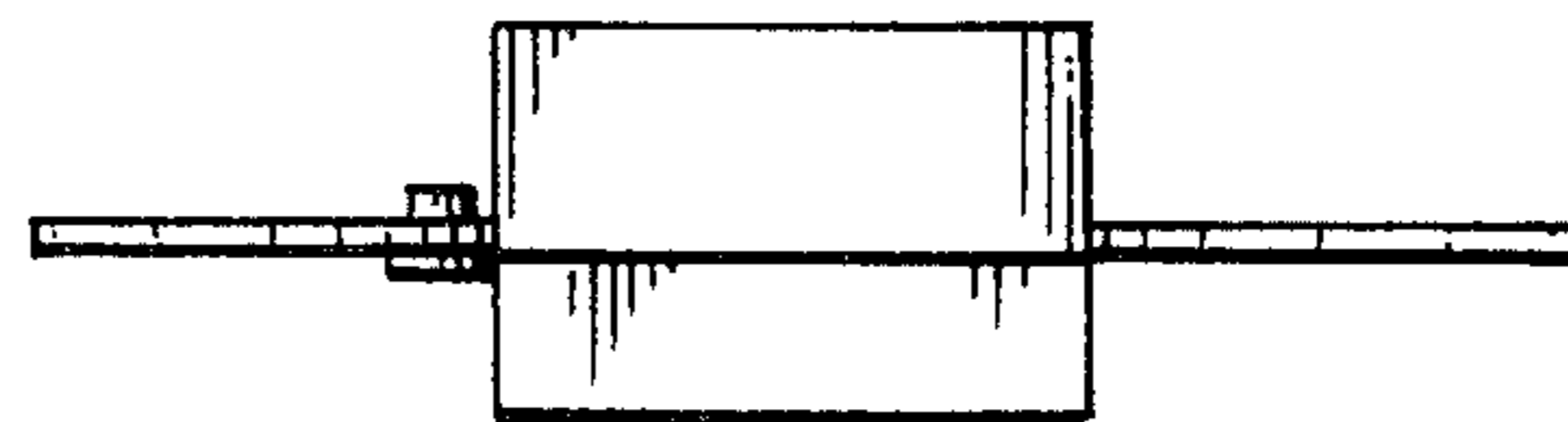


FIG. 5



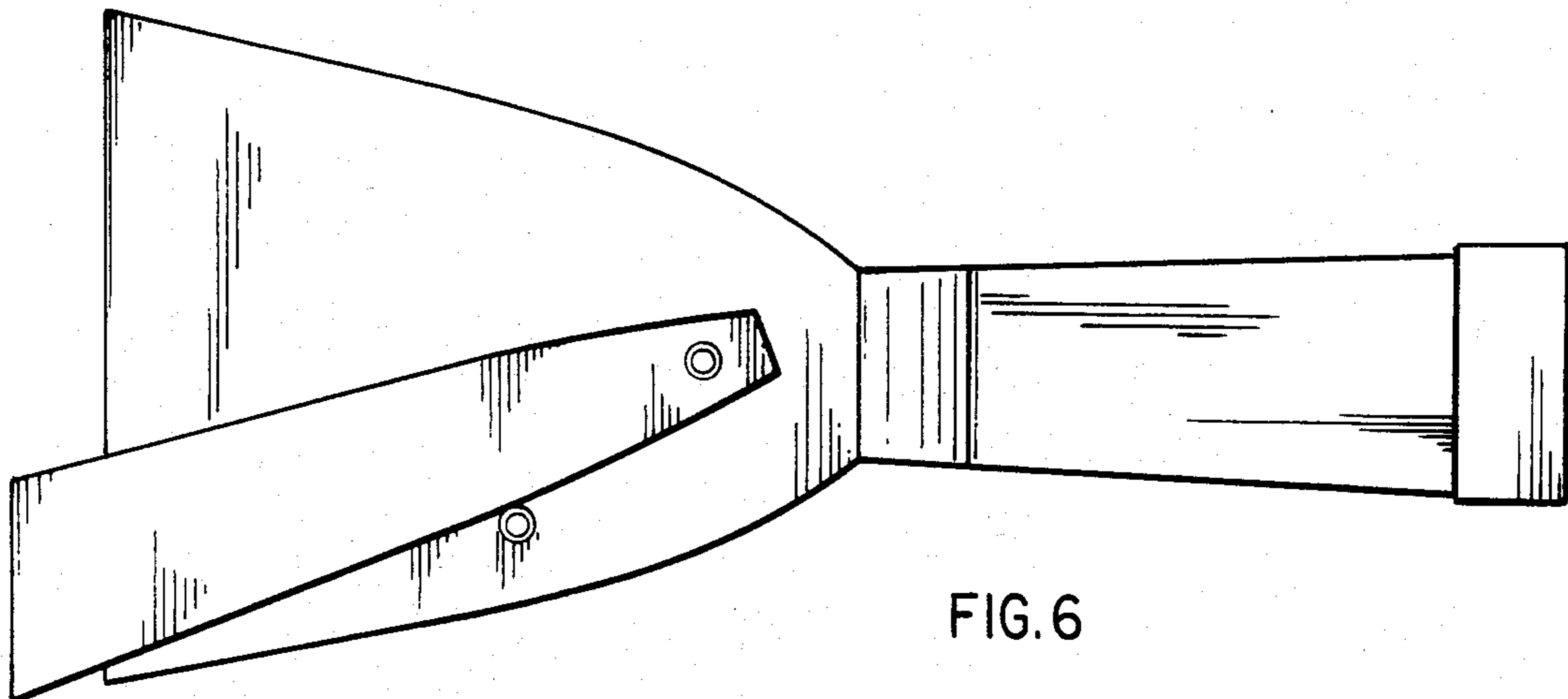


FIG. 6

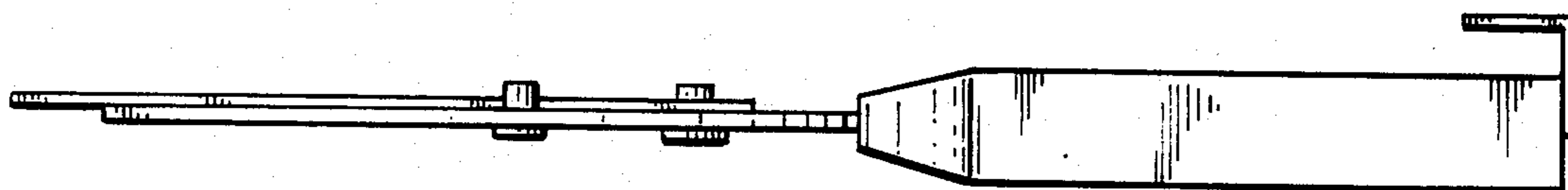


FIG. 7