

United States Patent [19]

Kairawicz

[11] Patent Number: **Des. 279,510**

[45] Date of Patent: **** Jul. 2, 1985**

[54] LIPSTICK HOLDER

[75] Inventor: **Raymond G. Kairawicz**, Watertown, Conn.

[73] Assignee: **Ed-Lin Stamping Company, Inc.**, Watertown, Conn.

[**] Term: **14 Years**

[21] Appl. No.: **403,126**

[22] Filed: **Jul. 29, 1982**

[52] U.S. Cl. **D28/85; D28/89**

[58] Field of Search **D28/4-7, D28/61, 73, 76-85, 89; D3/39; D9/377, 424; 132/79 C, 82 D, 88.7, DIG. 3, 88.5; 206/235, 385, 581, 823; 401/28, 88, 98**

[56] **References Cited**

U.S. PATENT DOCUMENTS

D. 214,877 8/1969 Biallo et al. D9/377
D. 271,337 11/1983 Holloway D28/89
1,611,937 12/1926 Nelson 401/98
3,197,024 7/1965 Bau 401/98 X

FOREIGN PATENT DOCUMENTS

834486 5/1960 United Kingdom 401/98

Primary Examiner—Louis S. Zarfes

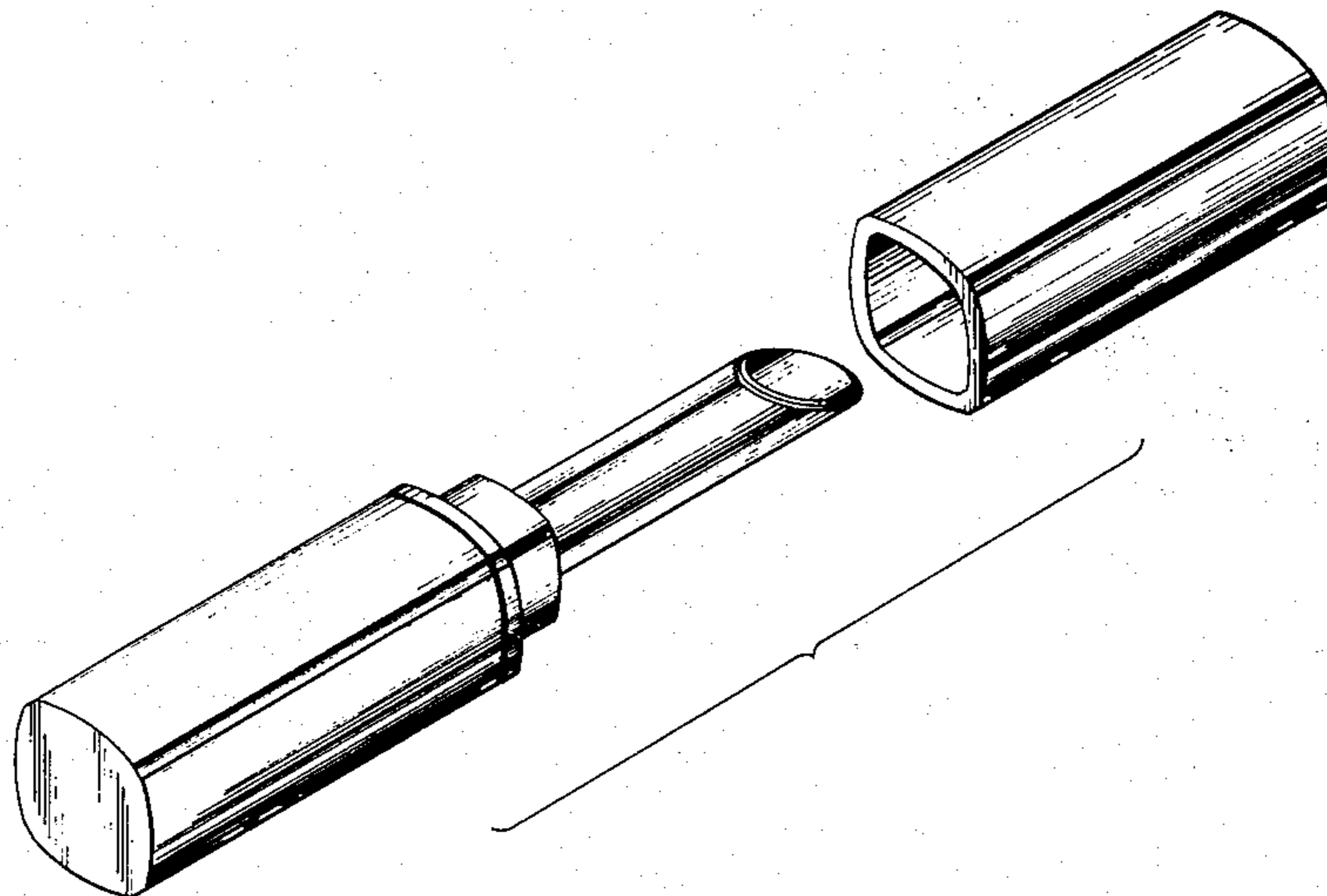
Attorney, Agent, or Firm—McCormick, Paulding & Huber

[57] **CLAIM**

The ornamental design for a lipstick holder, as shown and described.

DESCRIPTION

The single FIGURE is an exploded perspective view of a lipstick holder showing my new design, the holder being symmetrical about its longitudinal axis save for the canted end of the lipstick tube.



U.S. Patent

Jul. 2, 1985

Des. 279,510

