

# United States Patent [19]

Abe et al.

[11] Patent Number: **Des. 279,509**

[45] Date of Patent: **\*\* Jul. 2, 1985**

[54] **ELECTRIC SHAVER**

[75] Inventors: **Noboru Abe**, Suita, Japan; **Florian Seiffert**, Grünwald, Fed. Rep. of Germany

[73] Assignee: **Matsushita Electric Works, Ltd.**, Osaka, Japan

[\*\*] Term: **14 Years**

[21] Appl. No.: **522,798**

[22] Filed: **Aug. 12, 1983**

[30] **Foreign Application Priority Data**

Mar. 2, 1983 [JP] Japan ..... 58-8744  
[52] U.S. Cl. .... **D28/49**  
[58] Field of Search ..... D28/44-54;  
30/32, 34 R, 34.1, 41.9, 43, 85, 86, 43.3-43.92,  
90

[56] **References Cited**

### U.S. PATENT DOCUMENTS

D. 211,553 6/1968 Koroncai ..... D28/51

D. 268,371 3/1983 Iwai et al. .... D28/49  
4,275,862 6/1981 Takagi et al. .... D28/49

### OTHER PUBLICATIONS

*Jewelers' Circular-Keystone*, 2/1967, p. 39, Lady Norelco at left center.

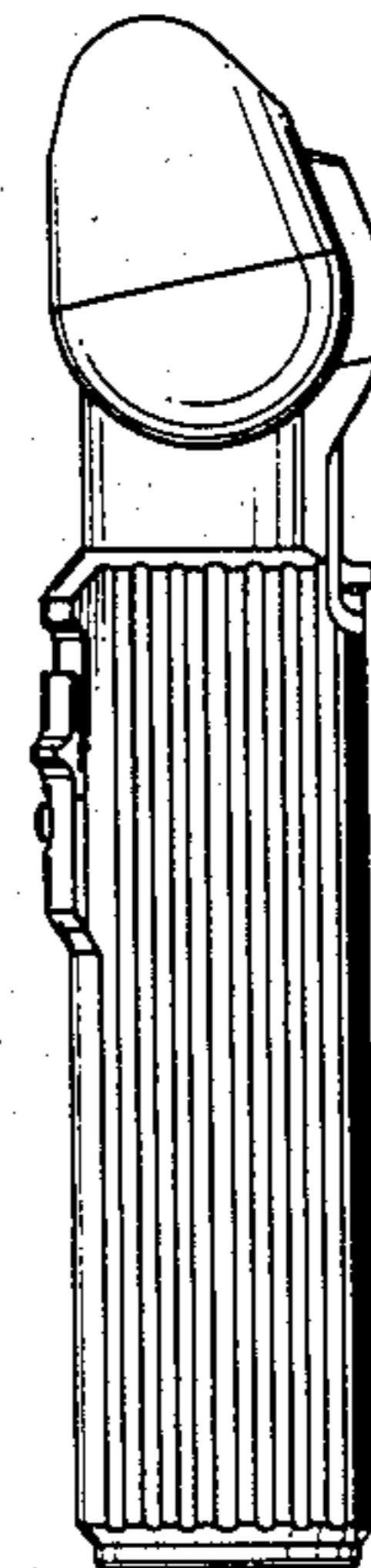
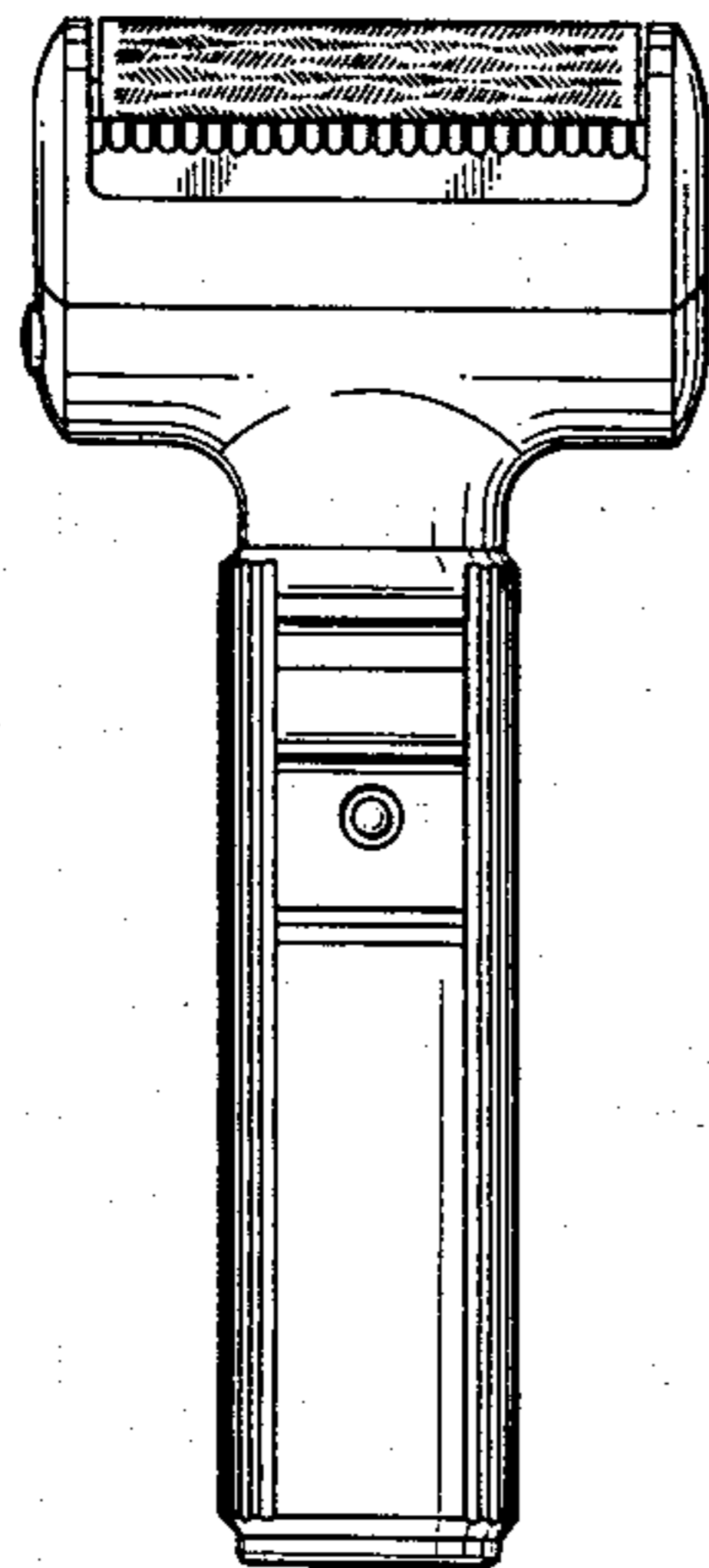
*Primary Examiner*—Louis S. Zarfes  
*Attorney, Agent, or Firm*—Burns, Doane, Swecker & Mathis

[57] **CLAIM**

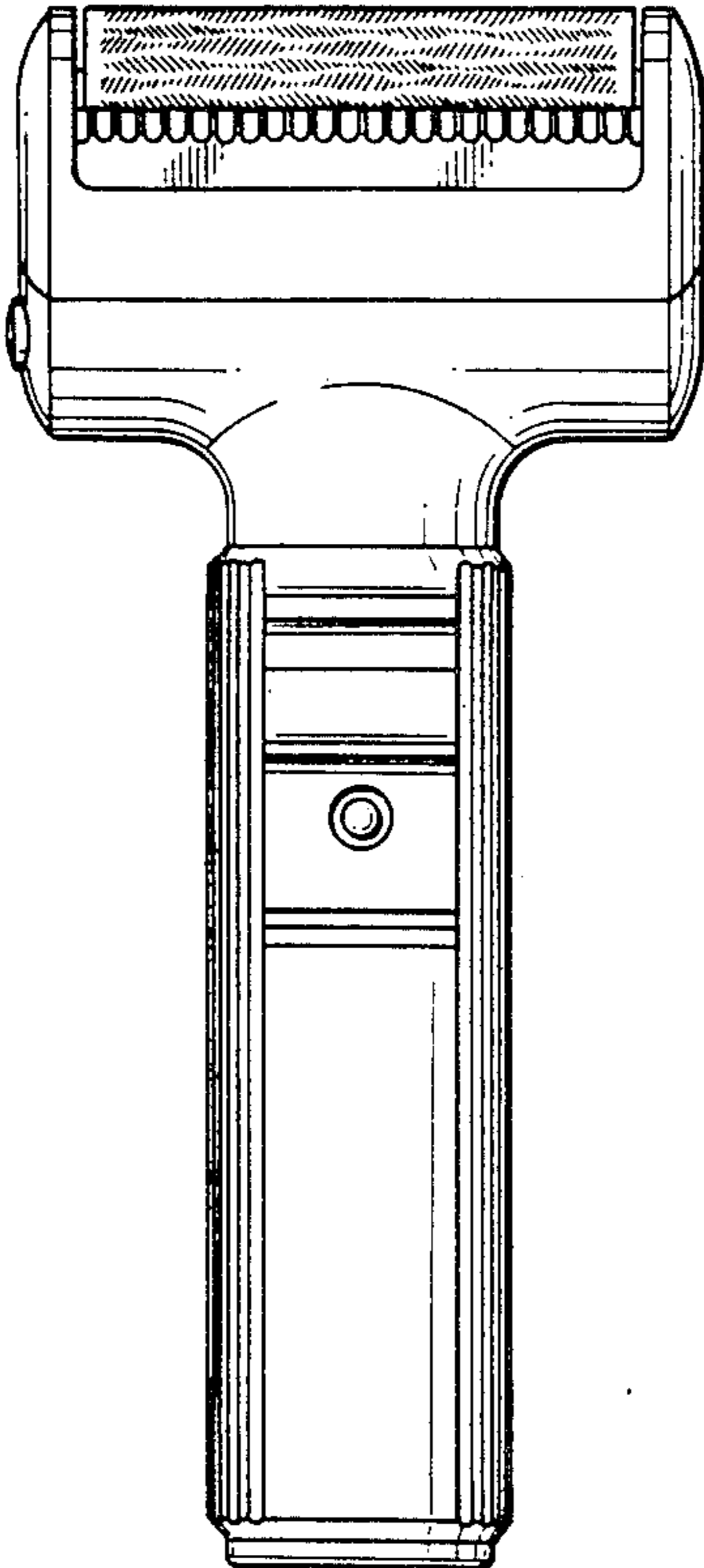
The ornamental design for an electric shaver, substantially as shown and described.

### DESCRIPTION

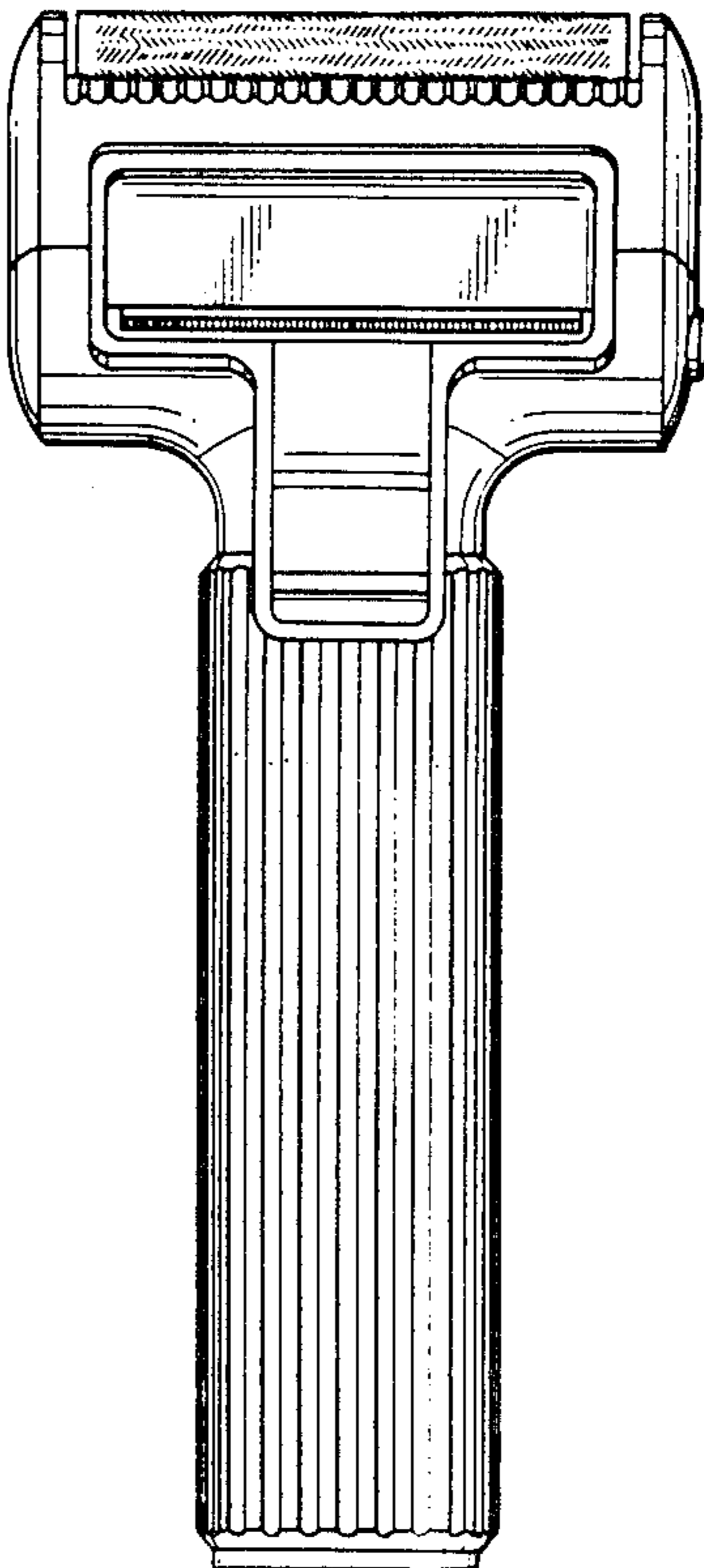
FIG. 1 is a front elevational view of an electric shaver showing our new design;  
FIG. 2 is a rear elevational view thereof;  
FIG. 3 is a top plan view thereof;  
FIG. 4 is a bottom plan view thereof;  
FIG. 5 is a left side elevational view thereof;  
FIG. 6 is a right side elevational view thereof and  
FIG. 7 is a longitudinal section taken on the center line of FIG. 1 thereof.



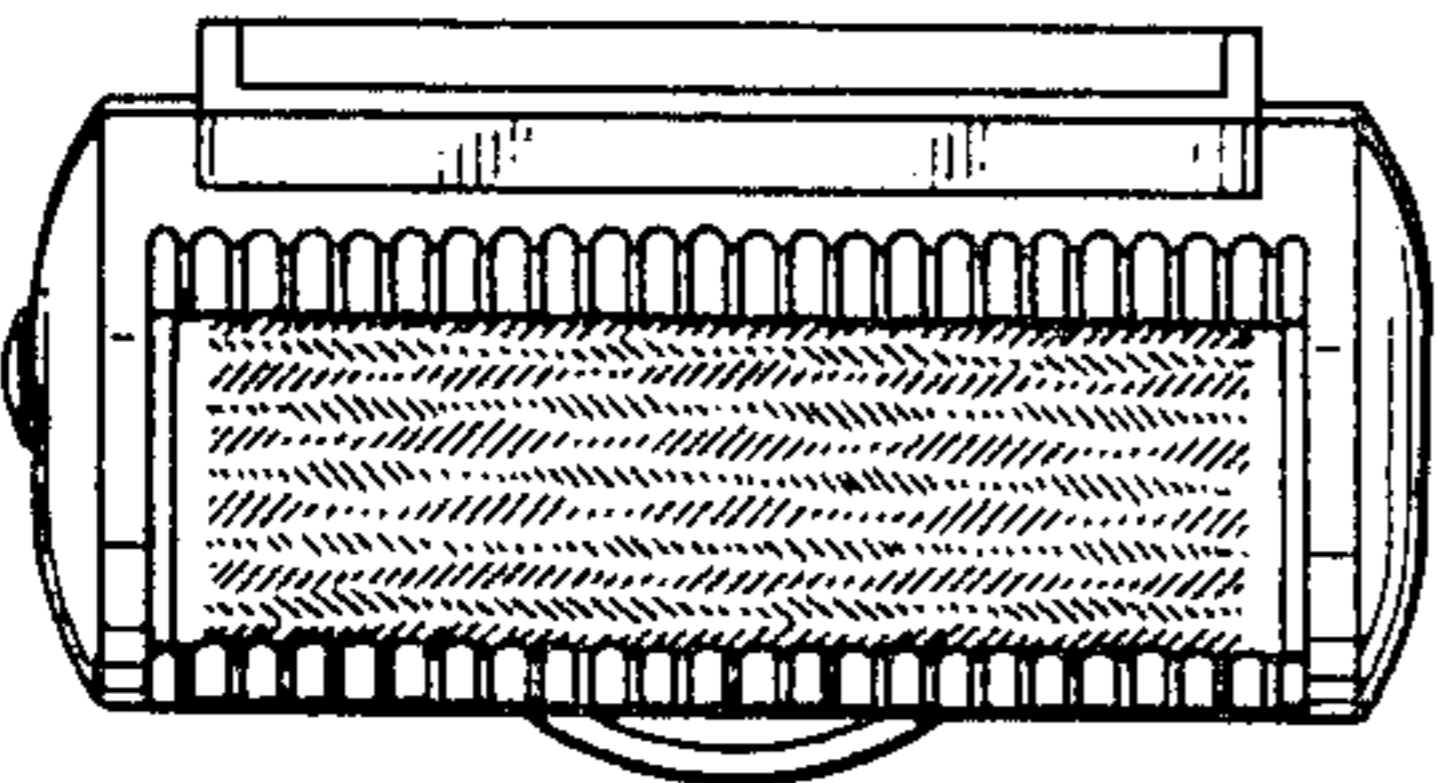
*Fig. 1*



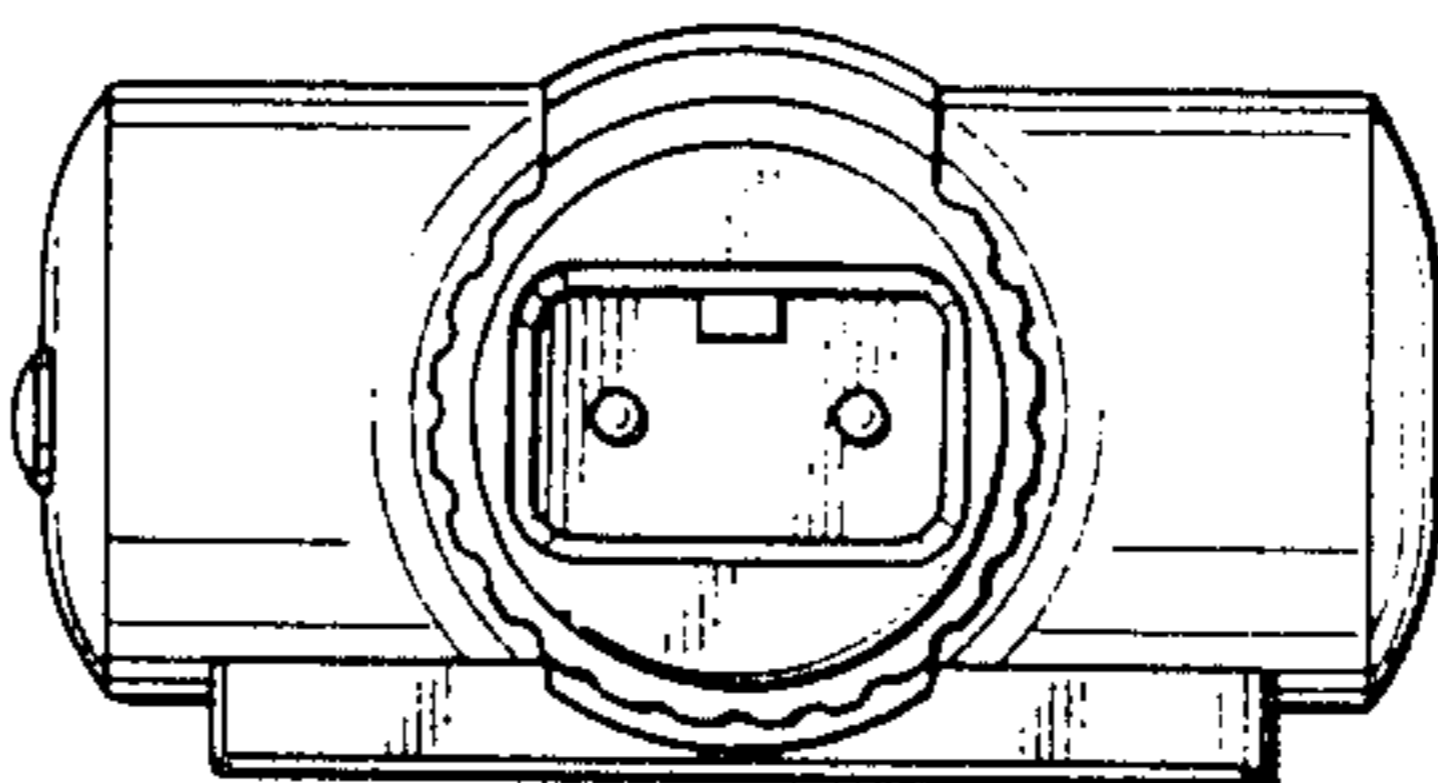
*Fig. 2*



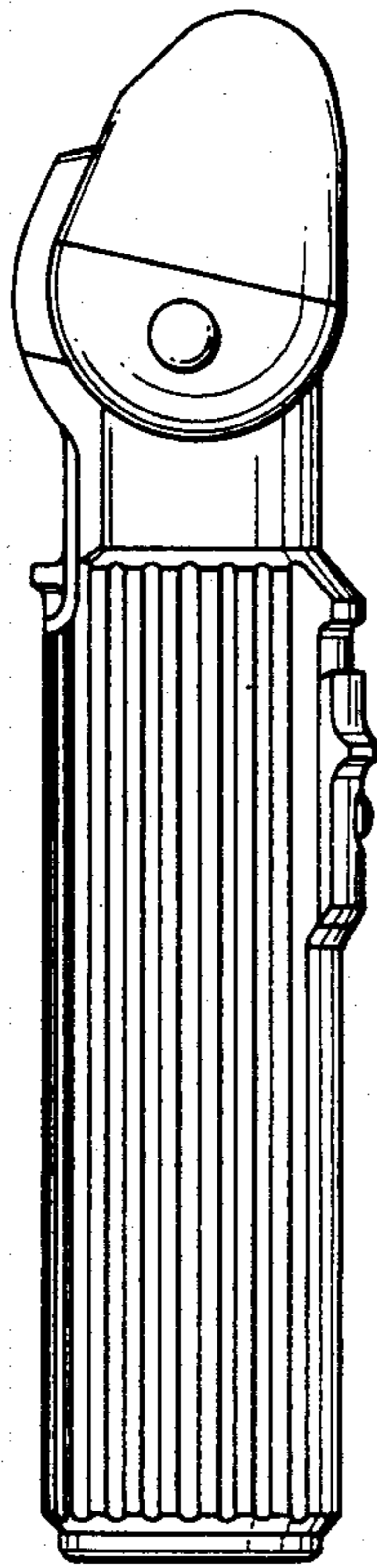
*Fig. 3*



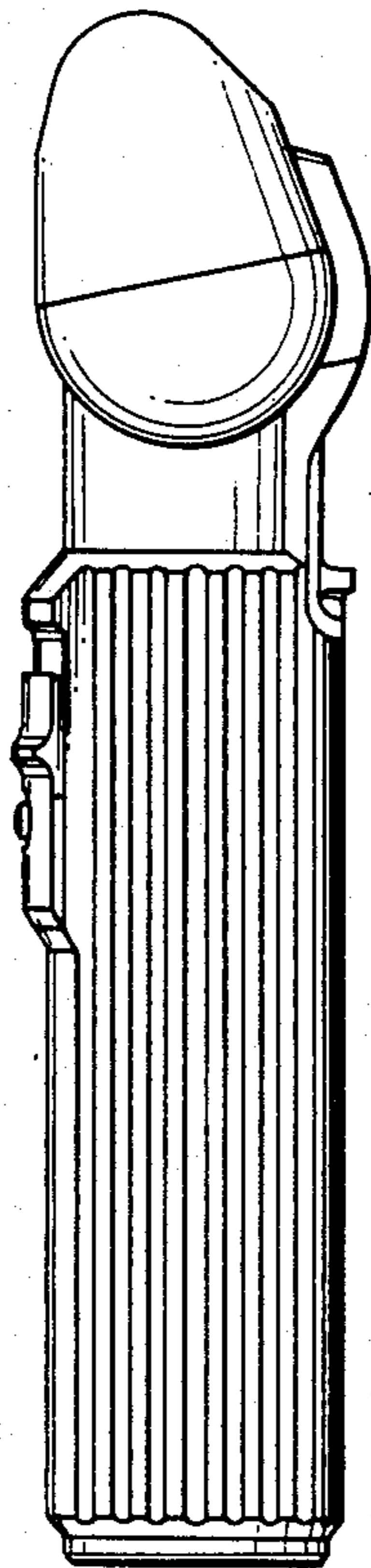
*Fig. 4*



*Fig. 5*



*Fig. 6*



*Fig. 7*

