

[54] REFLECTOR LAMP BASE

[75] Inventor: Bruce R. Simson, Montour Falls, N.Y.
[73] Assignee: Corning Glass Works, Corning, N.Y.
[**] Term: 14 Years
[21] Appl. No.: 449,544

[22] Filed: Dec. 13, 1982
[52] U.S. Cl. D26/113; D26/118; D26/134
[58] Field of Search D26/24, 113, 118, 128-137, D26/2; 362/341, 347, 350, 296, 307; 313/315, 317, 318, 113

[56] References Cited
U.S. PATENT DOCUMENTS
D. 187,487 3/1960 Atkin D26/24 X
D. 236,533 8/1975 Wierzbicki D26/2
D. 261,061 9/1981 Wiley D26/134
3,852,631 12/1974 Evans 313/318

FOREIGN PATENT DOCUMENTS

0130883 11/1978 Japan 362/307

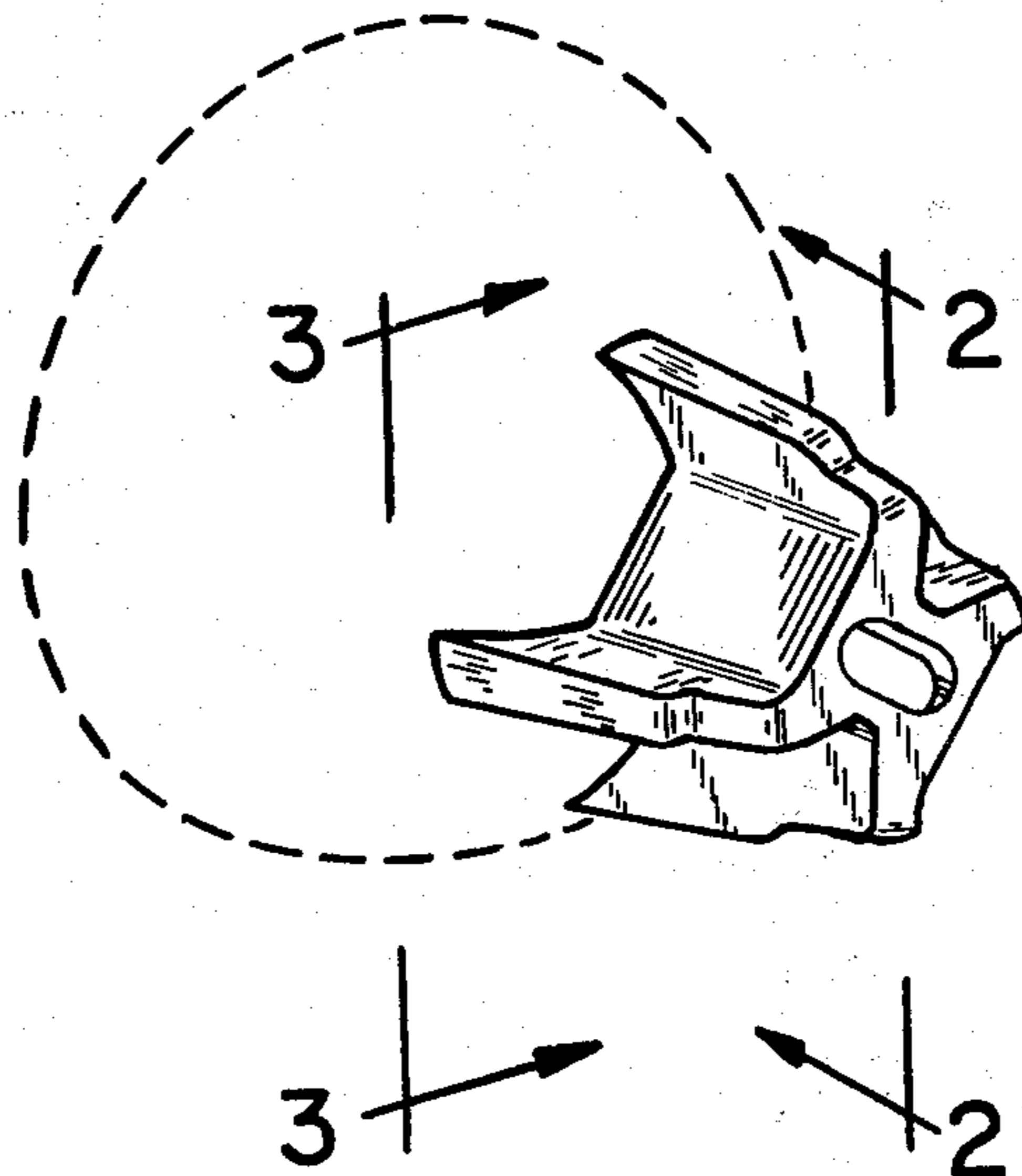
Primary Examiner—Susan J. Lucas
Attorney, Agent, or Firm—Burton R. Turner

[57] CLAIM

The ornamental design for a reflector lamp base, as shown and described.

DESCRIPTION

FIG. 1 is a perspective view of a reflector lamp base showing my new design;
FIG. 2 is an enlarged bottom plan view thereof as taken along line 2—2 of FIG. 1;
FIG. 3 is an enlarged side elevational view thereof as seen along line 3—3 of FIG. 1, the opposite side being a mirror image;
FIG. 4 is a sectional view as taken along line 4—4 of FIG. 2;
FIG. 5 is a sectional view taken along line 5—5 of FIG. 2.
The reflector is shown in broken lines for illustrative purposes only.



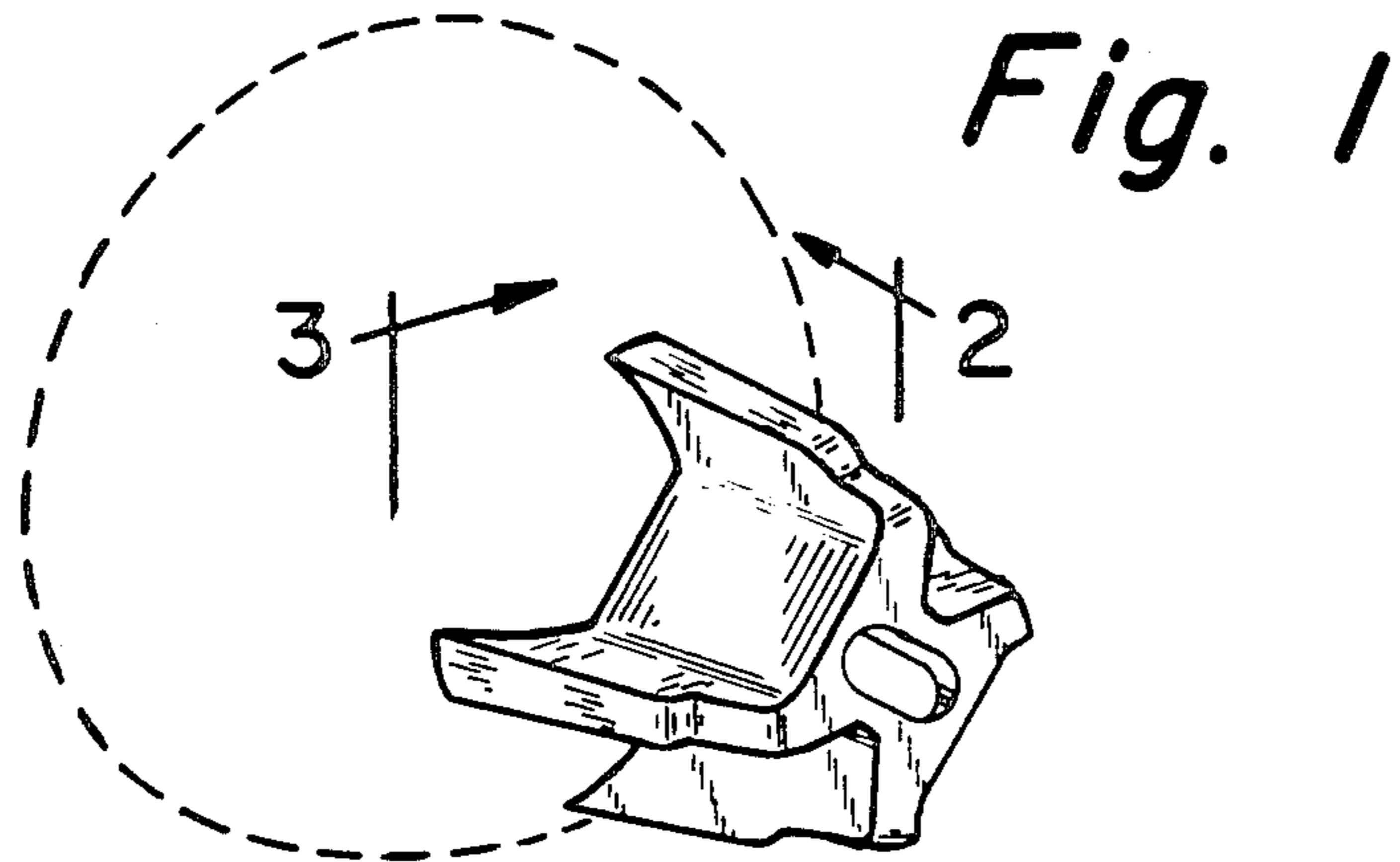


Fig. 1

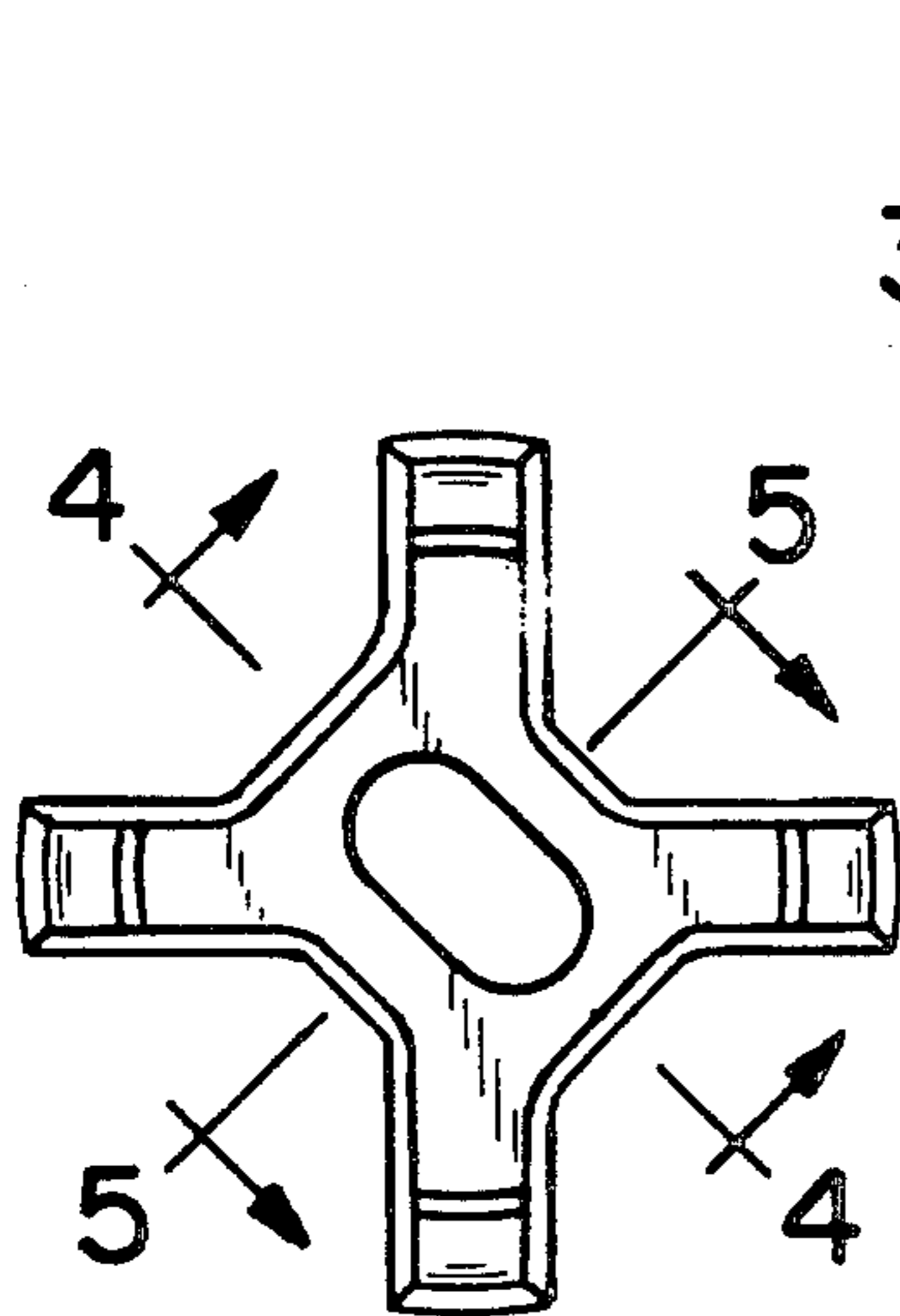


Fig. 2

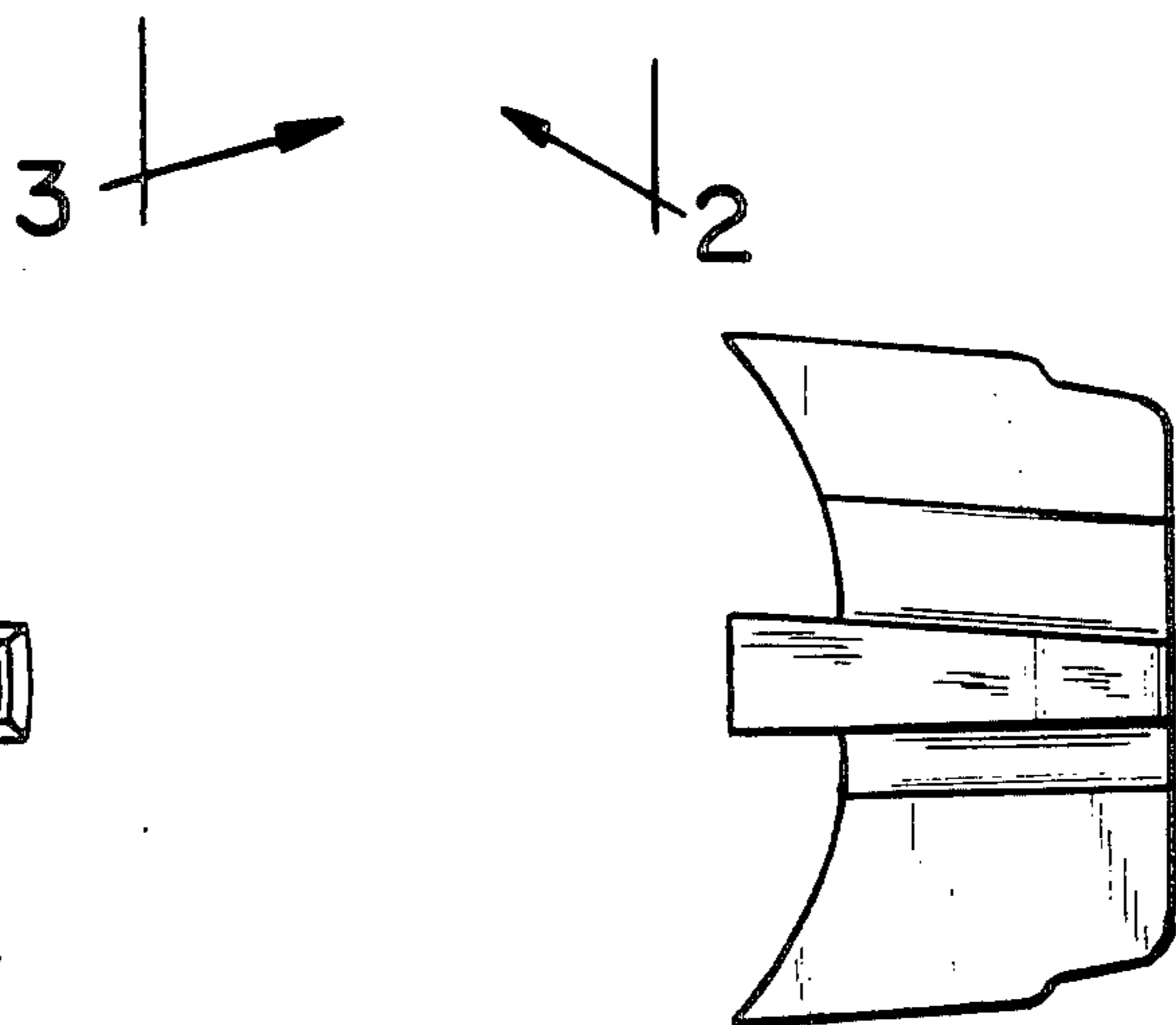


Fig. 3

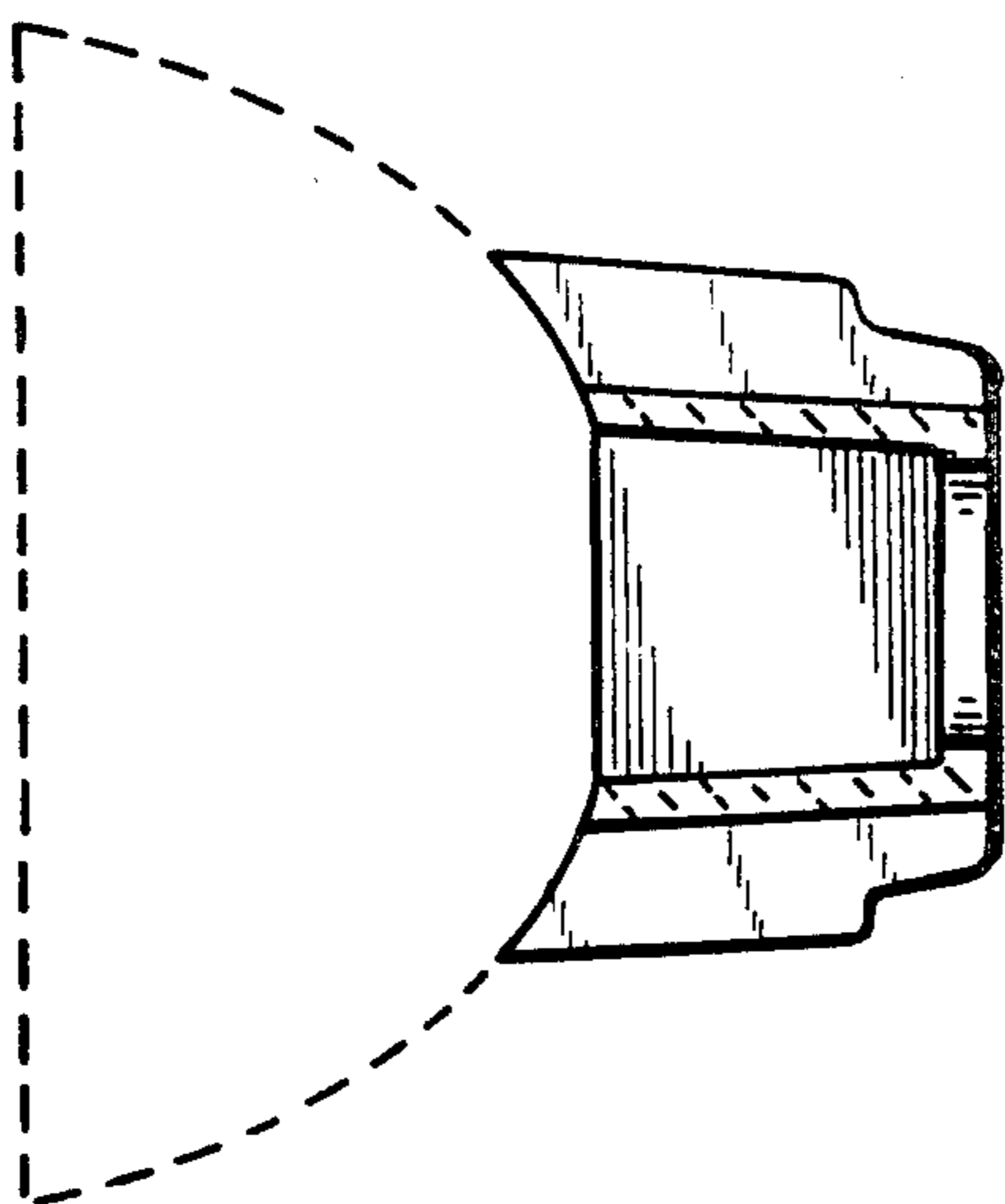


Fig. 4

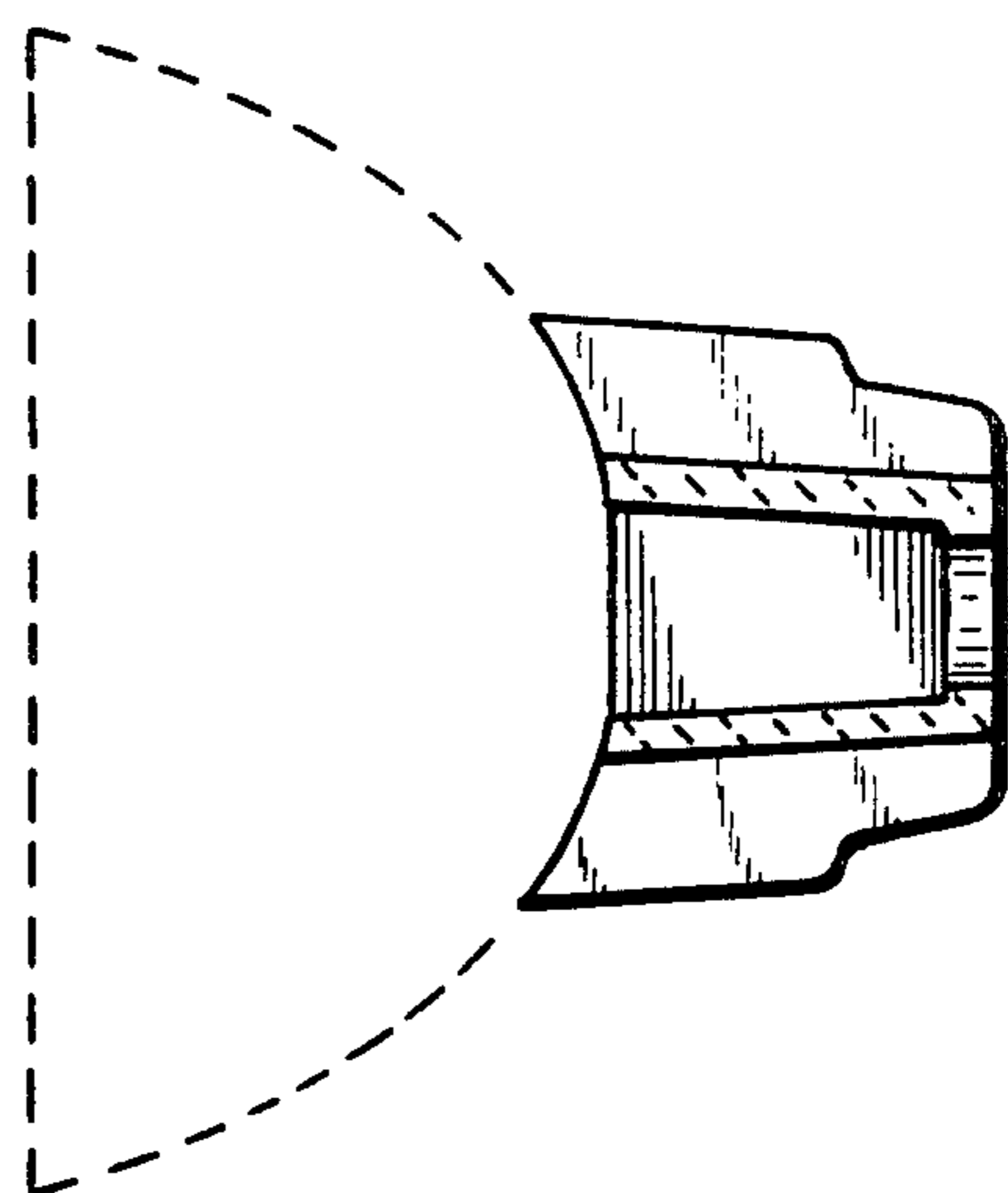


Fig. 5