

[54] MIXING APPARATUS

[75] Inventor: Kirt L. Case, Warsaw, Ind.

[73] Assignee: Zimmer, Inc., Warsaw, Ind.

[\*\*] Term: 14 Years

[21] Appl. No.: 467,704

[22] Filed: Feb. 18, 1983

[52] U.S. Cl. .... D24/22; D7/376

[58] Field of Search ..... D7/376, 378, 379, 384, D7/386, 412, 47; D24/22; 241/168, 169.1; 366/279, 205, 314

FOREIGN PATENT DOCUMENTS

1008837 5/1952 France ..... 241/168

OTHER PUBLICATIONS

Stryker® Brochure-MixEvac® Cement Mixer, ©Aug. 1978.  
DePuy Brochure-Vacu-mix® Orthopedic Cement Mixing System.  
Zimmer® Catalog p. #A212-Monomer Fume Evacuating System Product Nos. 5049-9/13, 1981 Catalog.  
Howmedica® Brochure-Howmedica® Mix-Kit I™ and Howmedica® Mix-Kit II™ Bone Cement Mixing System, ©1980.

Primary Examiner—Bernard Ansher  
Assistant Examiner—Linda Titolo  
Attorney, Agent, or Firm—Margaret L. Geringer

[56] References Cited

U.S. PATENT DOCUMENTS

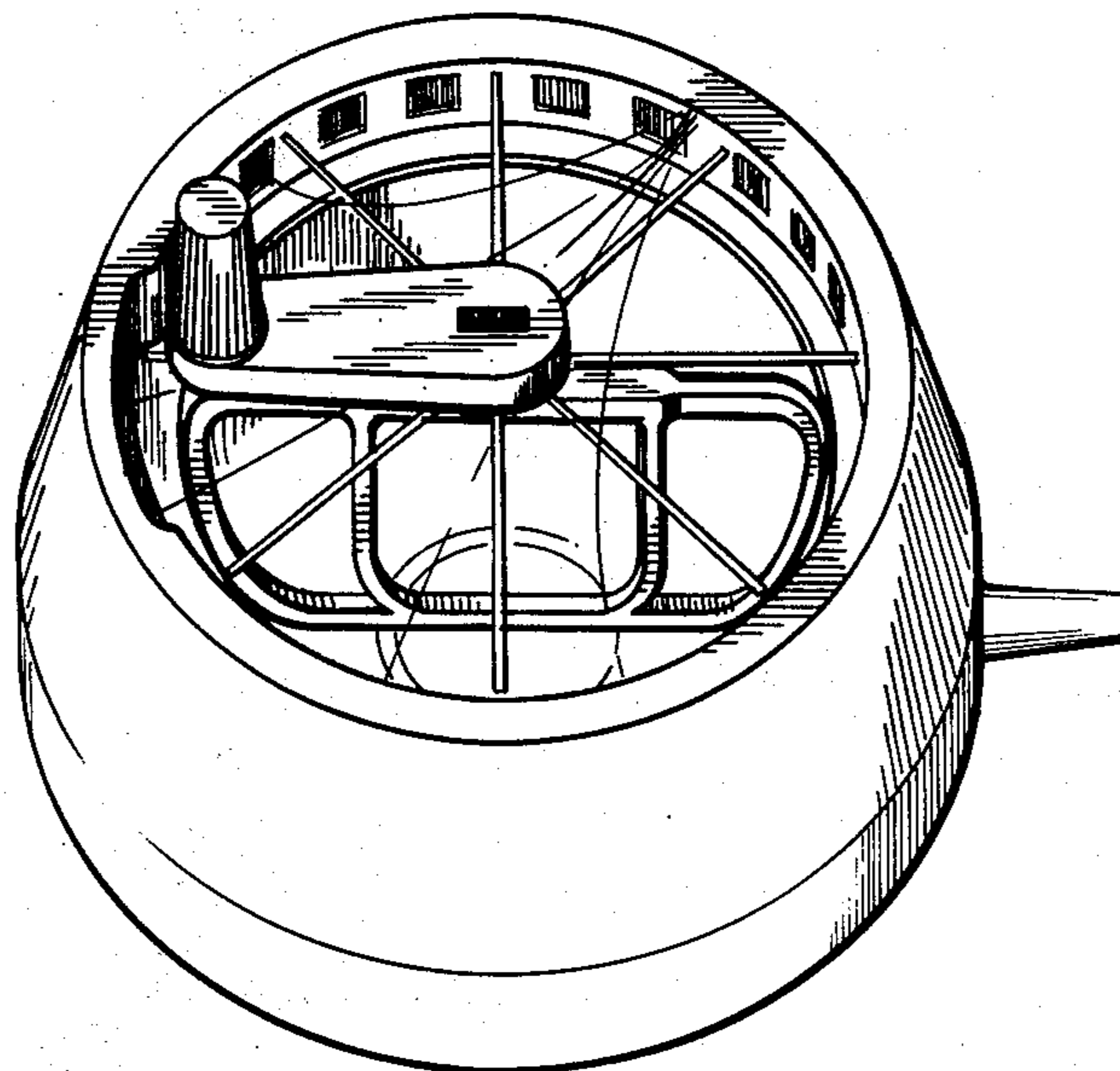
- 184,894 11/1876 Parks ..... 366/325
- D. 228,222 8/1973 Mantelet ..... D7/47
- 235,505 12/1880 Buck ..... 366/279 X
- D. 254,325 2/1980 Goodrich et al. .... D24/22
- D. 258,085 1/1981 Porteous ..... D24/22
- D. 263,713 4/1982 Baer ..... D24/22 X
- D. 268,638 4/1983 Bounds ..... D7/47 X
- 640,369 1/1900 Cross ..... 366/328
- 2,453,914 11/1948 Hollenback ..... 259/8
- 2,696,022 12/1954 Steinbock et al. .... 425/182
- 2,777,177 1/1957 Steinbock et al. .... 22/35
- 2,973,187 2/1961 Wehmer ..... 259/108
- 3,358,971 12/1967 Steinbock ..... 259/107
- 3,391,788 7/1968 Strandberg, Jr. et al. .... D24/22 X
- 3,640,510 2/1972 Lea ..... 259/108
- 3,738,619 6/1973 Shirae ..... 259/108
- 4,015,945 4/1977 Frankel et al. .... 23/292
- 4,071,338 1/1978 Hutter, III et al. .... 55/385 C
- 4,185,072 1/1980 Puderbaugh et al. .... 422/99

[57] CLAIM

The ornamental design for a mixing apparatus, as shown and described.

DESCRIPTION

FIG. 1 is a perspective view of a mixing apparatus for surgical bone cement or the like showing my new design;  
FIG. 2 is a top plan view thereof;  
FIG. 3 is a side elevational view thereof;  
FIG. 4 is a bottom plan view thereof;  
FIG. 5 is a bottom plan view thereof, the inner mixing bowl has been omitted for ease of illustration;  
FIG. 6 is a top perspective view of an inner mixing bowl shown separately for clarity of illustration.



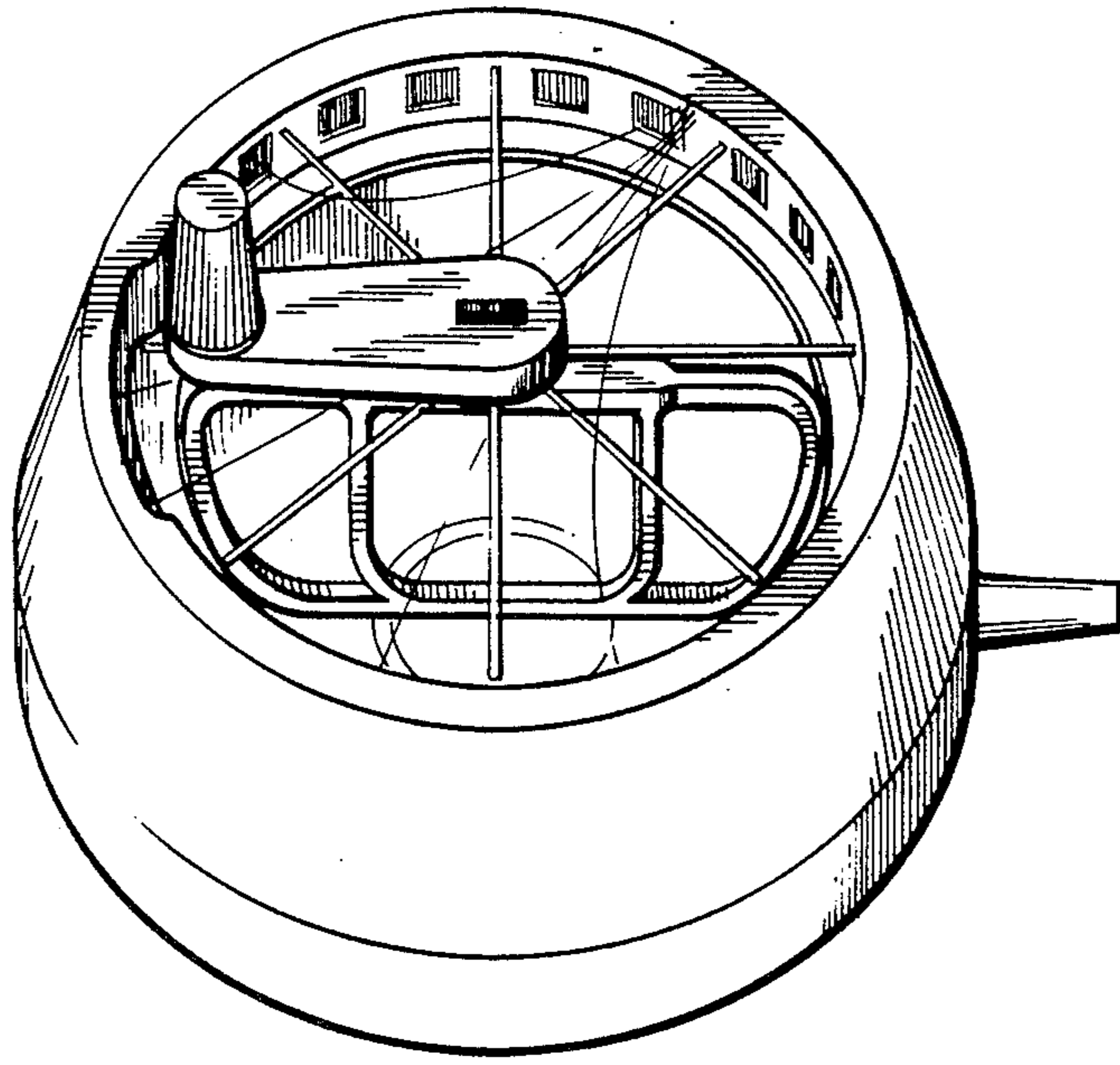


FIG. 1

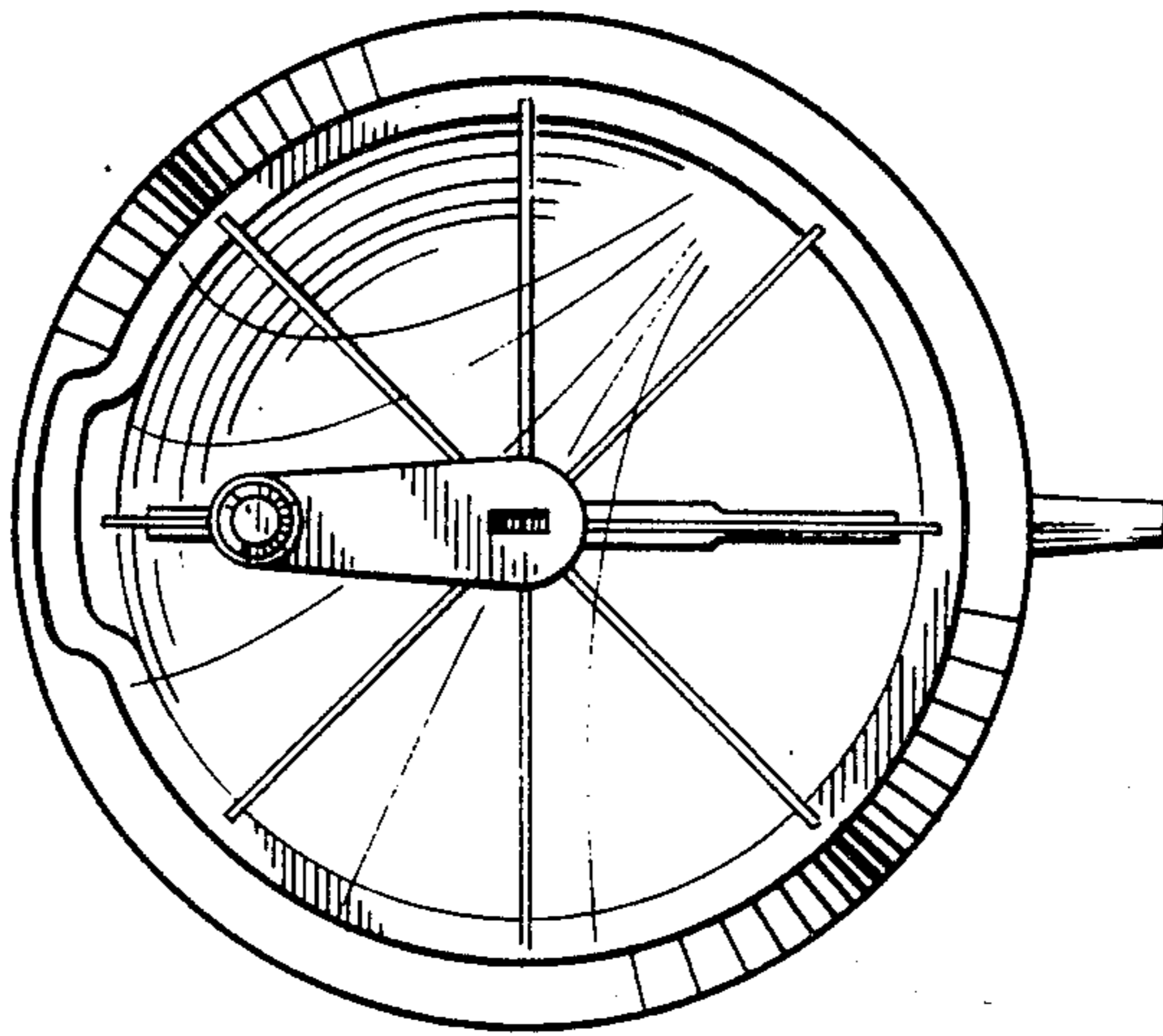


FIG. 2

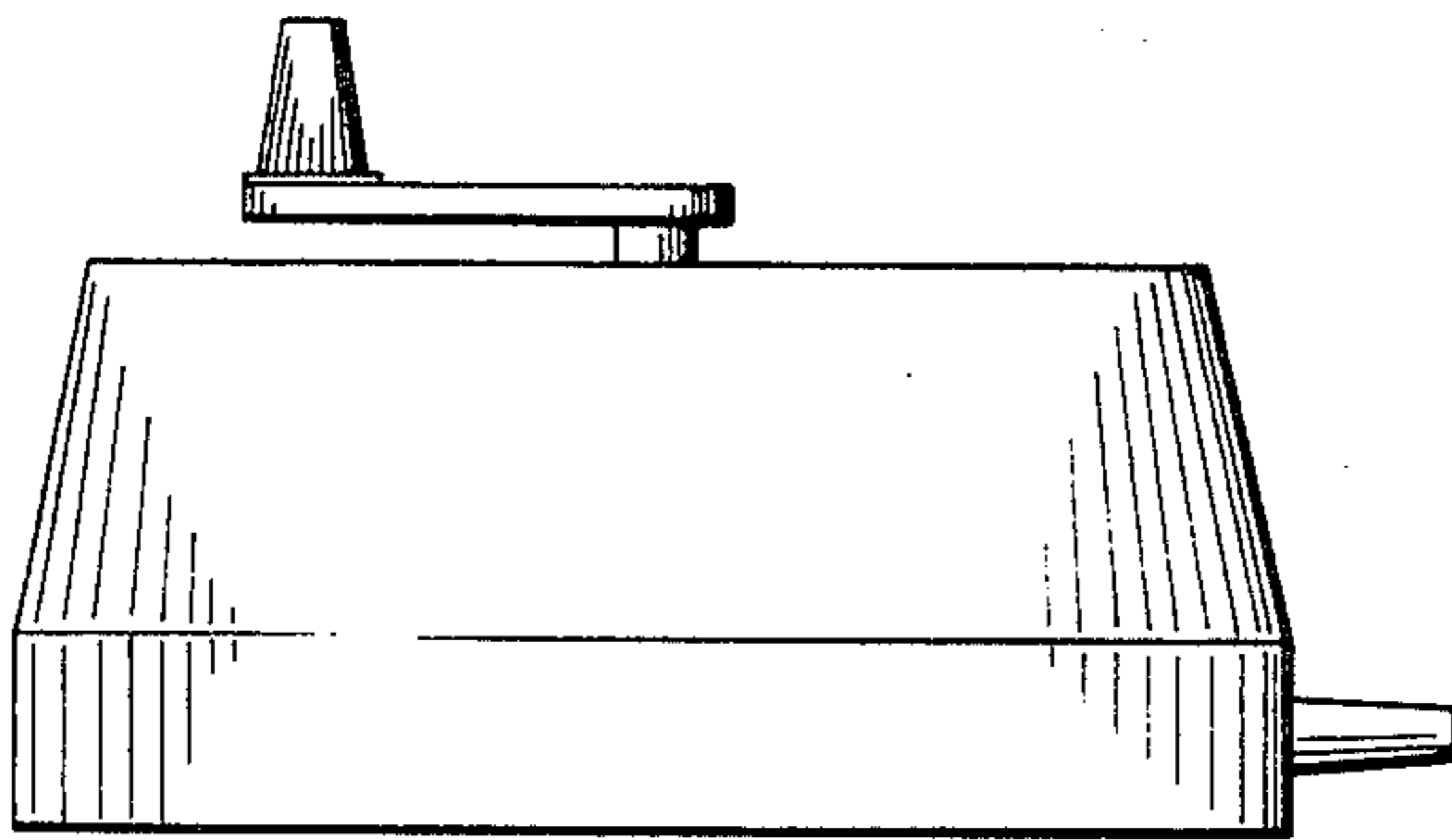


FIG. 3

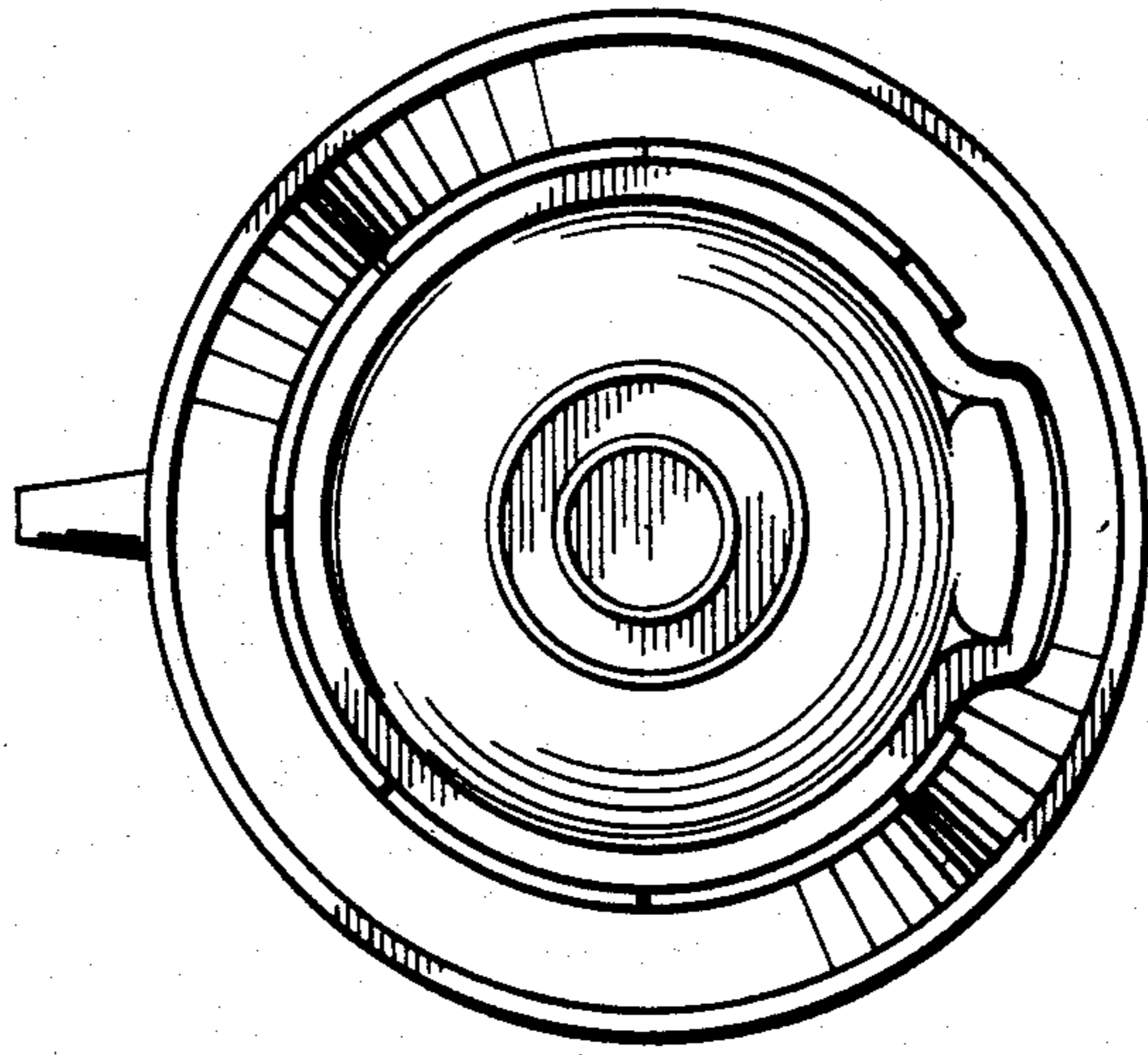


FIG. 4

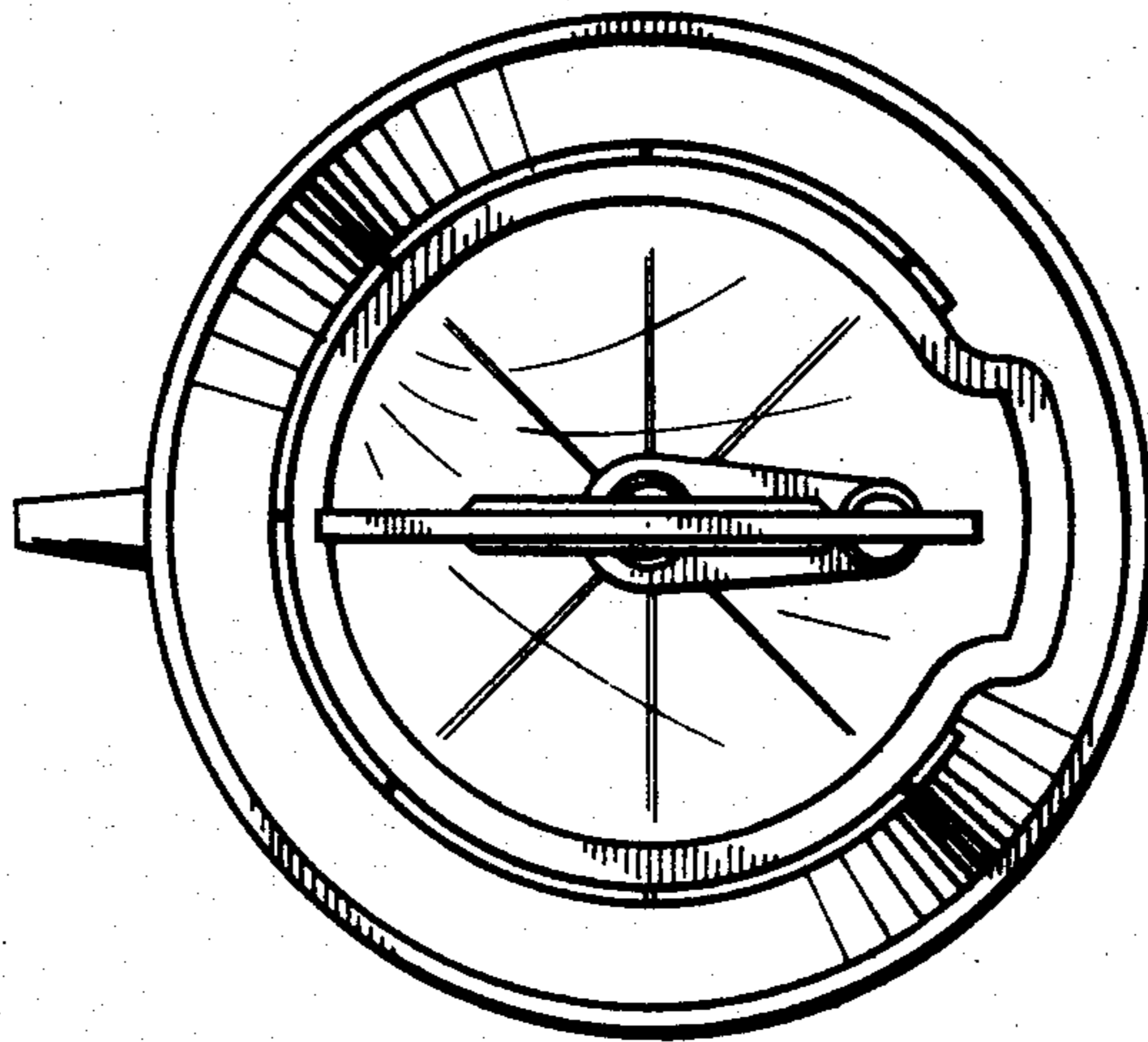


FIG. 5

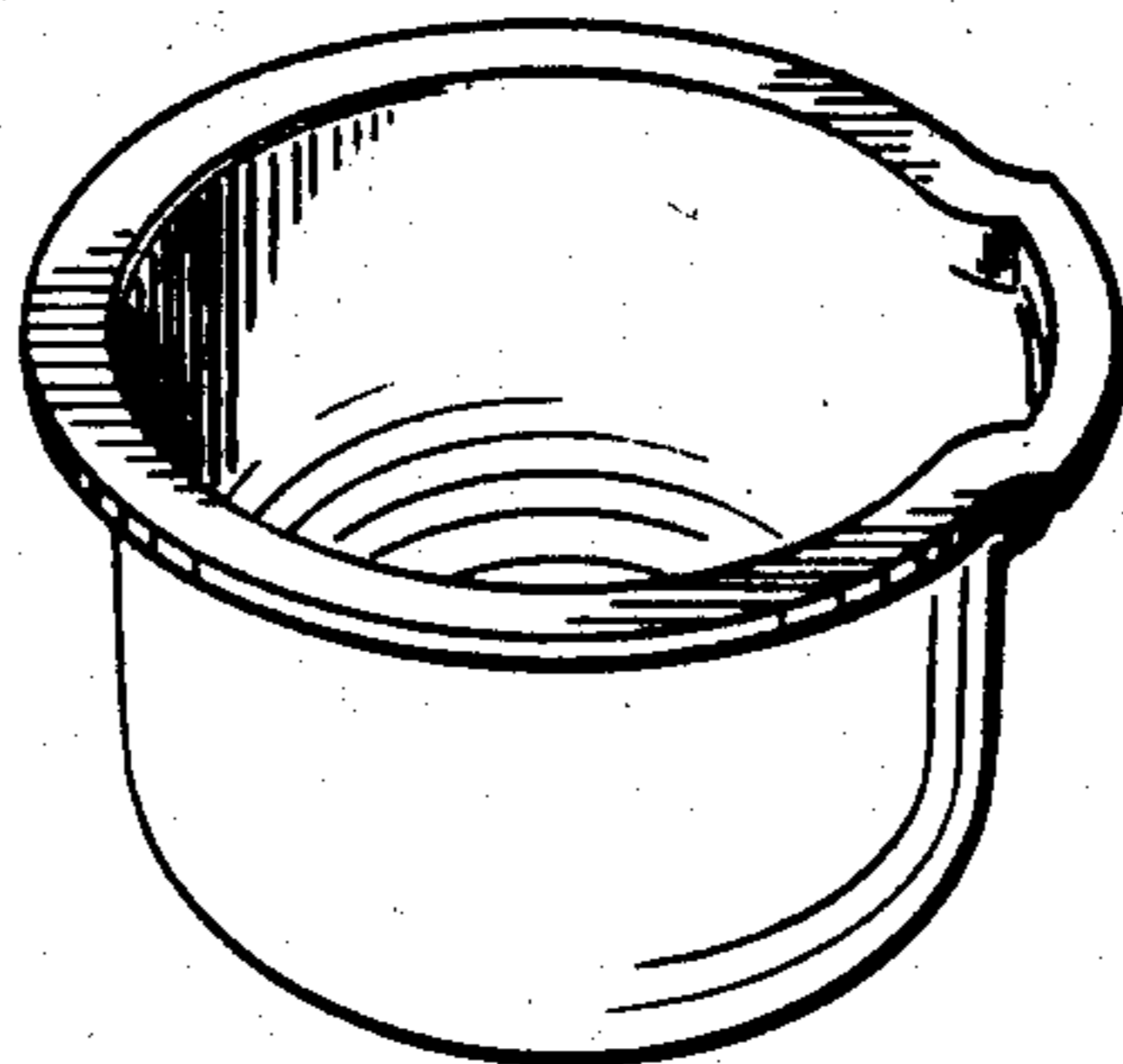


FIG. 6