

[54] **DUMBBELL**

[76] **Inventor: Raymond Barbeau, 102 Morrison, Ville Mont Royal, Quebec, Canada, H3R 1K4**

[**] **Term: 14 Years**

[21] **Appl. No.: 483,878**

[22] **Filed: Apr. 11, 1983**

[52] **U.S. Cl. D21/197**

[58] **Field of Search D21/191, 196, 197, 198, D21/199; 272/67, 68, 117, 119, 122, 123, 124, DIG. 9**

[56] **References Cited**

U.S. PATENT DOCUMENTS

3,858,579 1/1975 Ching D21/198
4,361,324 11/1982 Baroi 272/123

OTHER PUBLICATIONS

Marcy Catalog, 1982, p. 21, Dumbbells.

Primary Examiner—Charles A. Rademaker

[57] **CLAIM**

The ornamental design for a dumbbell, as shown and described.

DESCRIPTION

FIG. 1 is a perspective view of a dumbbell showing my new design;

FIG. 2 is a front elevational view thereof, the side opposite being identical; and,

FIG. 3 is an end elevational view thereof, the end opposite being identical.

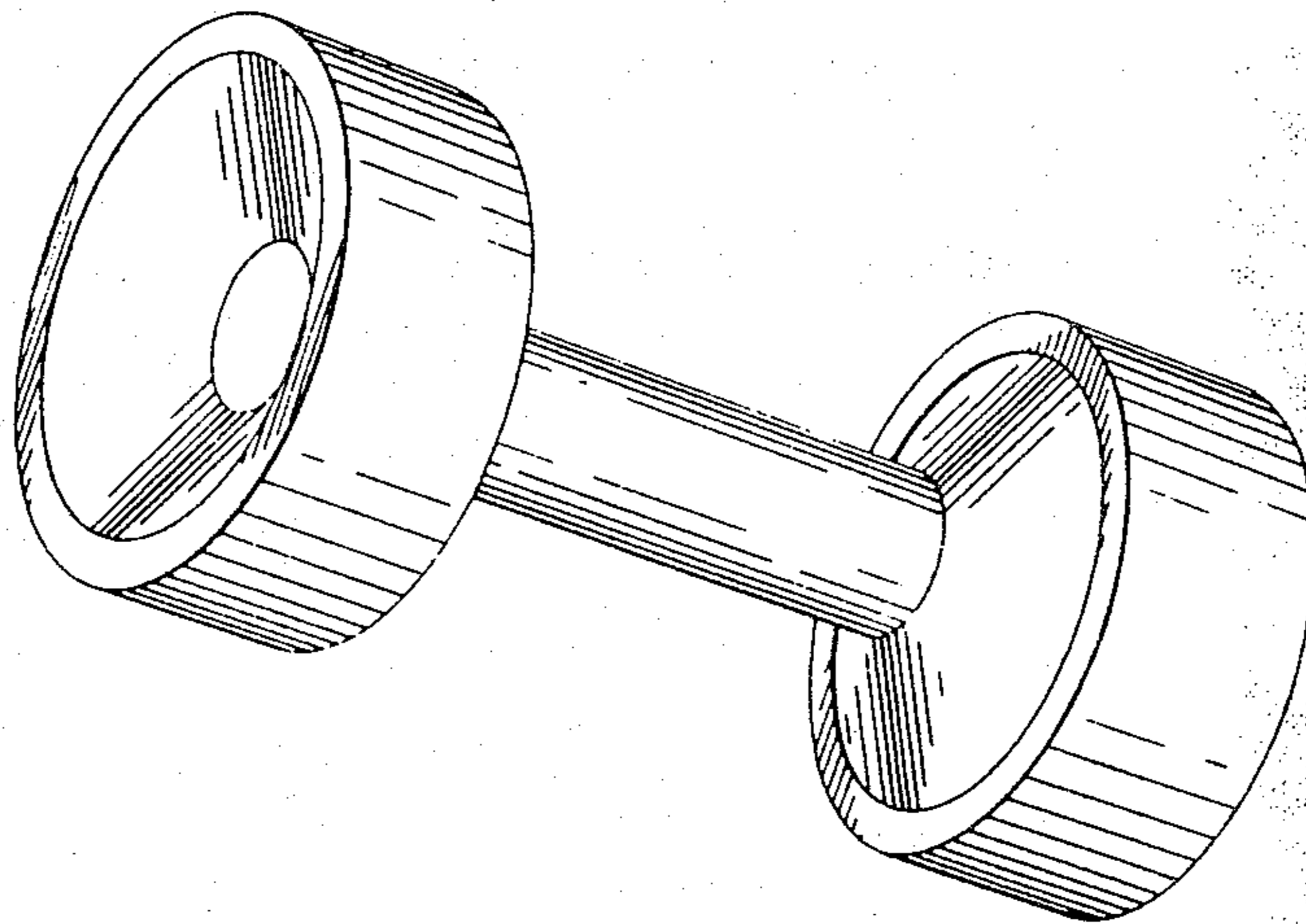


FIG. 1

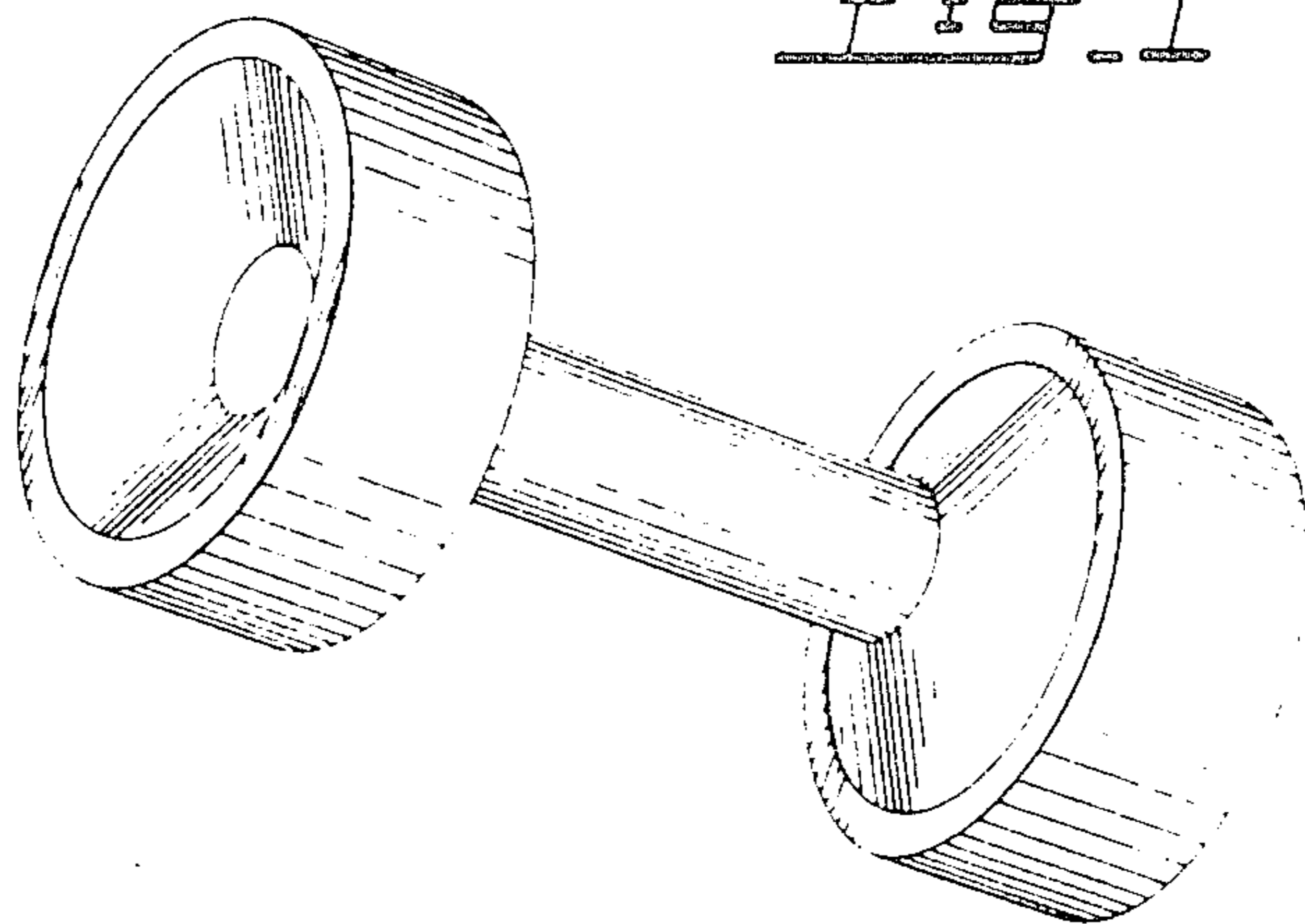


FIG. 2

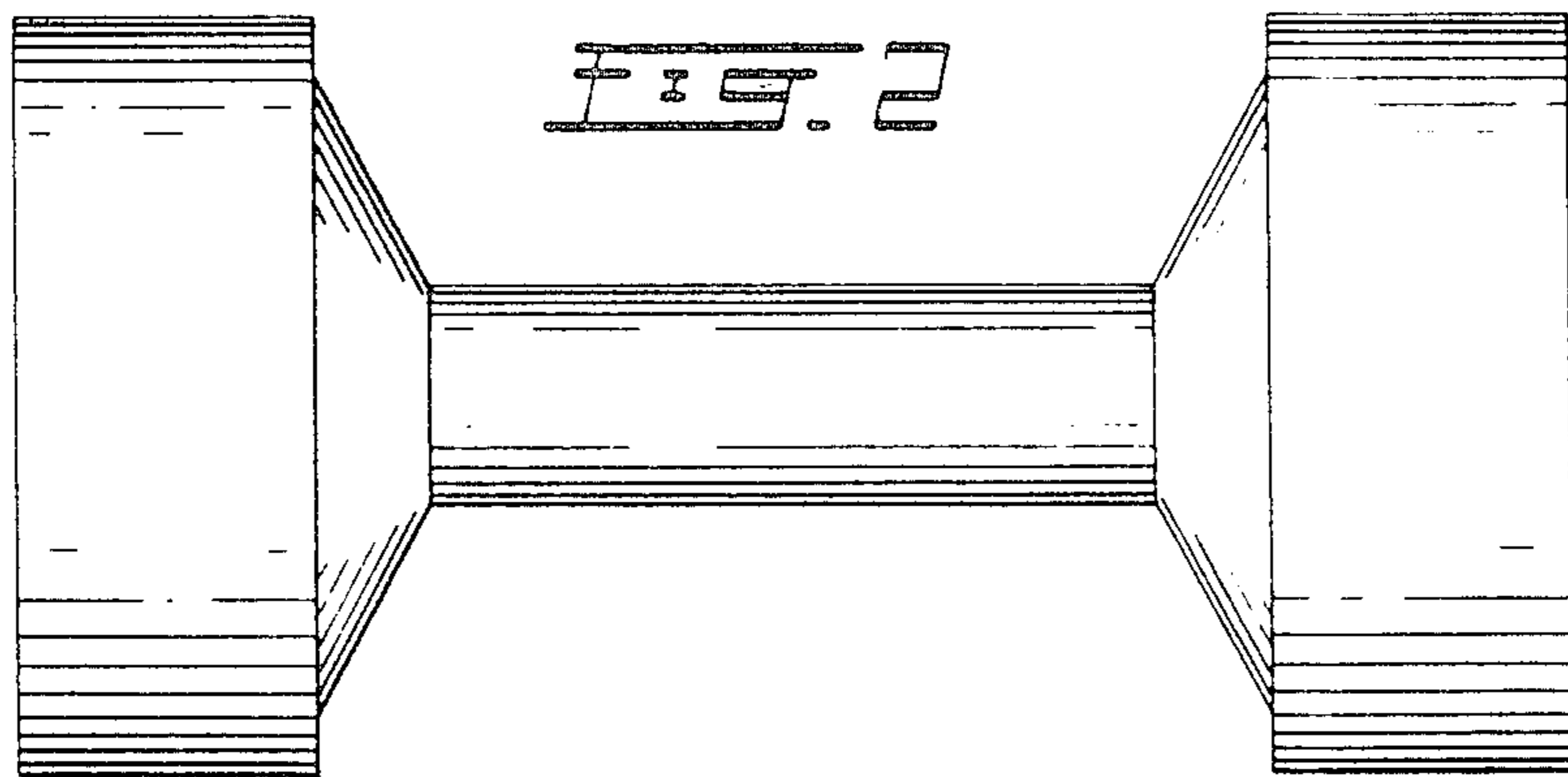


FIG. 3

