

[54] DRAWING TOY

[75] Inventor: Kai S. Mak, New Territories, Hong Kong

[73] Assignee: Hop Lee Cheong Industrial Co. Ltd., Hong Kong

[\*\*] Term: 14 Years

[21] Appl. No.: 475,979

[22] Filed: Mar. 16, 1983

[30] Foreign Application Priority Data

Sep. 27, 1982 [GB] United Kingdom ..... 1008888

[52] U.S. Cl. .... D21/59

[58] Field of Search ..... D21/59; 434/85, 86, 434/90; 446/146, 147

[56] References Cited

U.S. PATENT DOCUMENTS

D. 262,899	2/1982	Kroll .....	D21/59
D. 263,158	2/1982	Craig .....	D21/59
D. 263,542	3/1982	Lenger .....	D6/310
3,510,949	5/1970	Christy .....	446/146
4,139,965	2/1979	Curry et al. ....	434/84

OTHER PUBLICATIONS

Toys, Hobbies + Crafts Magazine, 2-1980, p. 78, Item #16, Puzzle.

Primary Examiner—Charles A. Rademaker  
Attorney, Agent, or Firm—Bacon & Thomas

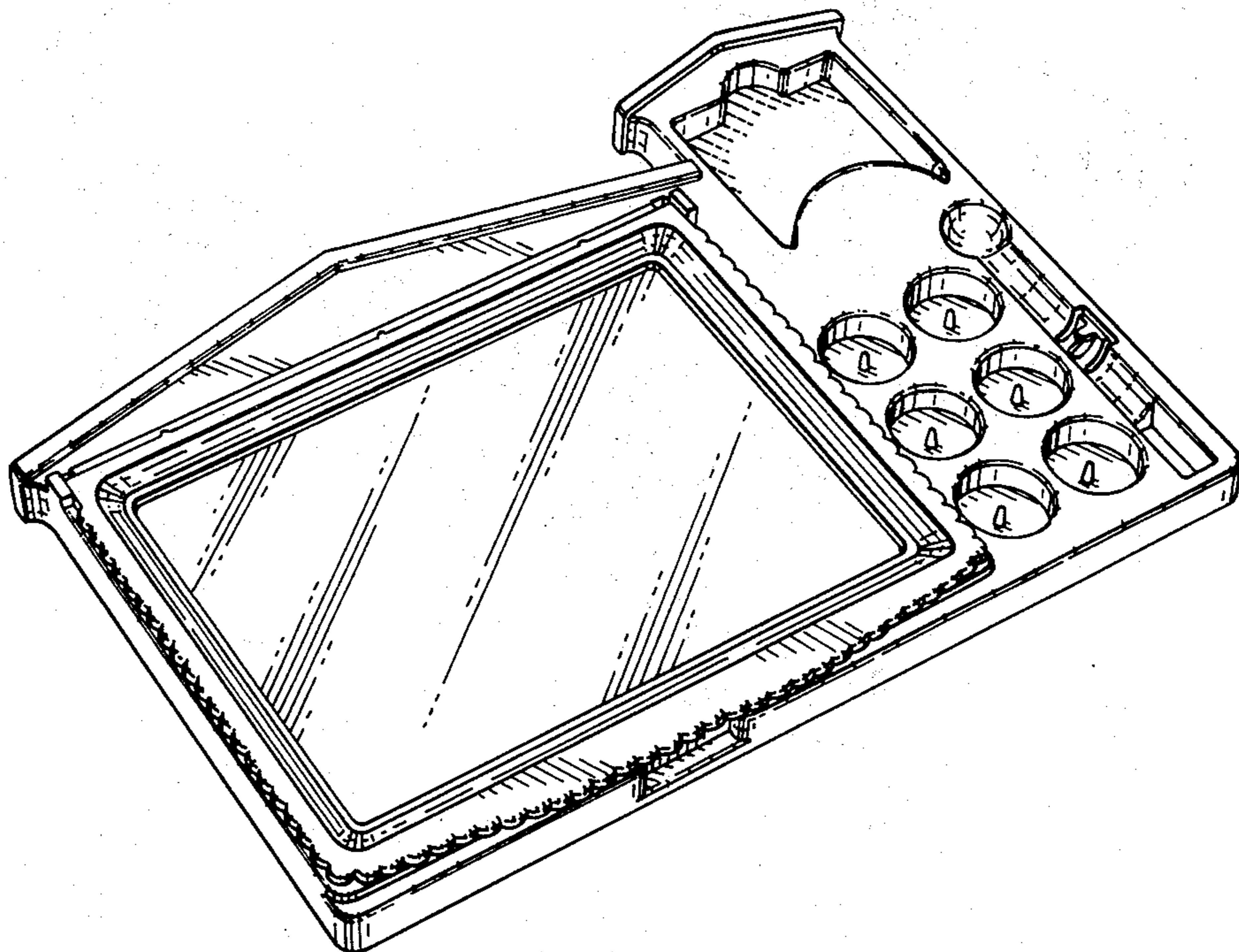
[57] CLAIM

The ornamental design for a drawing toy, substantially as shown.

DESCRIPTION

FIG. 1 is a front perspective view of a drawing toy showing my new design;

FIG. 2 is a front perspective view thereof; and  
FIG. 3 is a rear elevational view thereof.



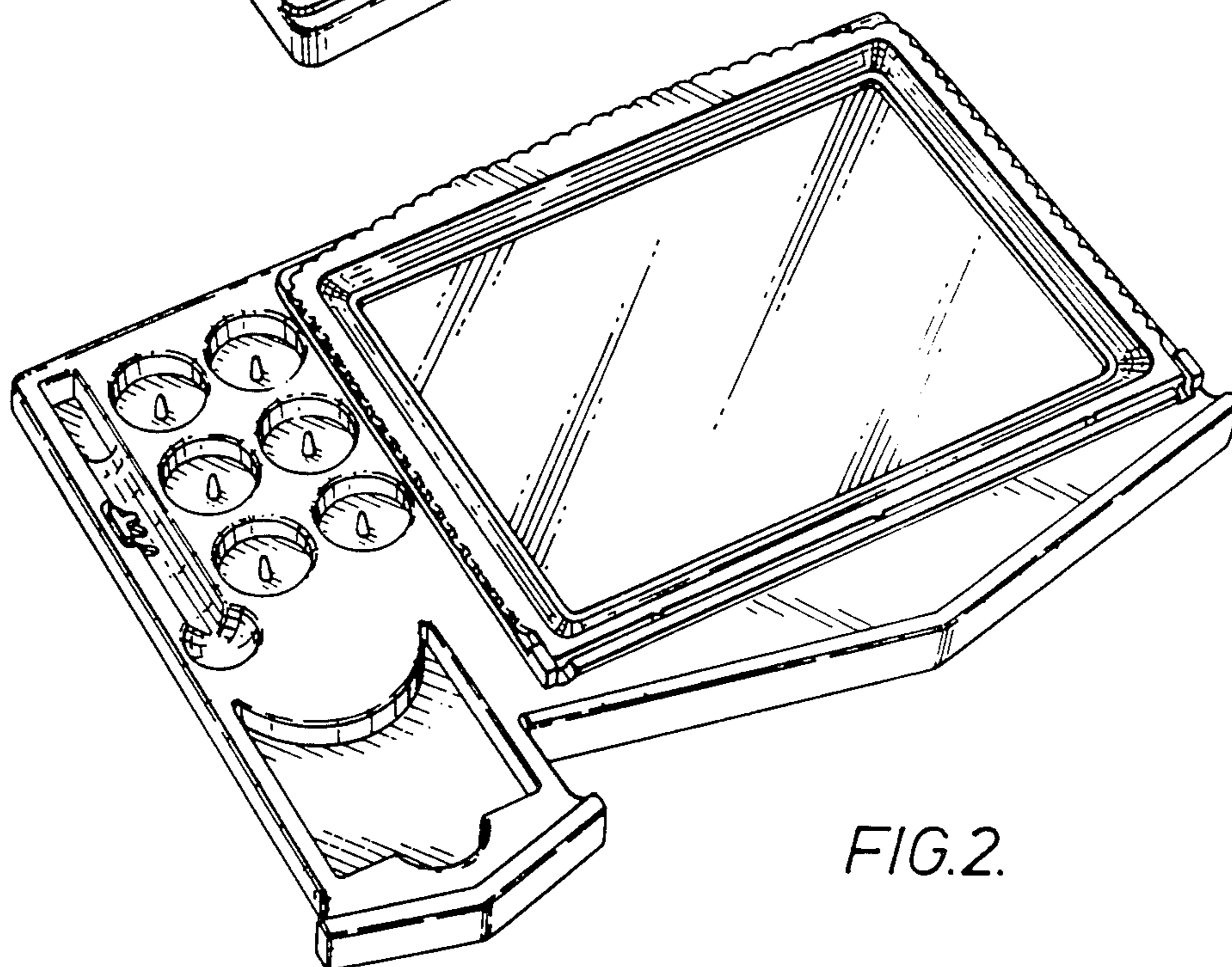
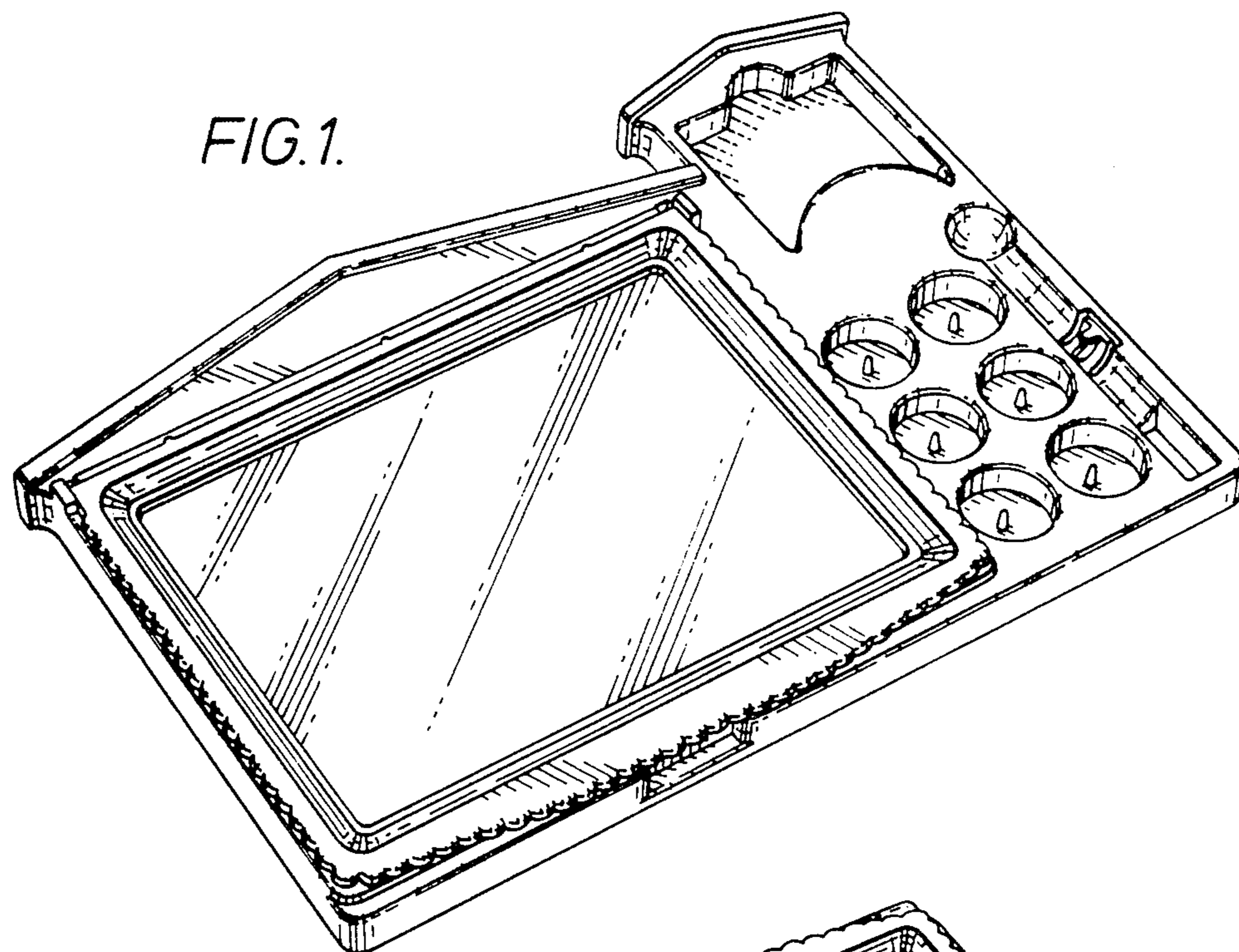


FIG. 2.

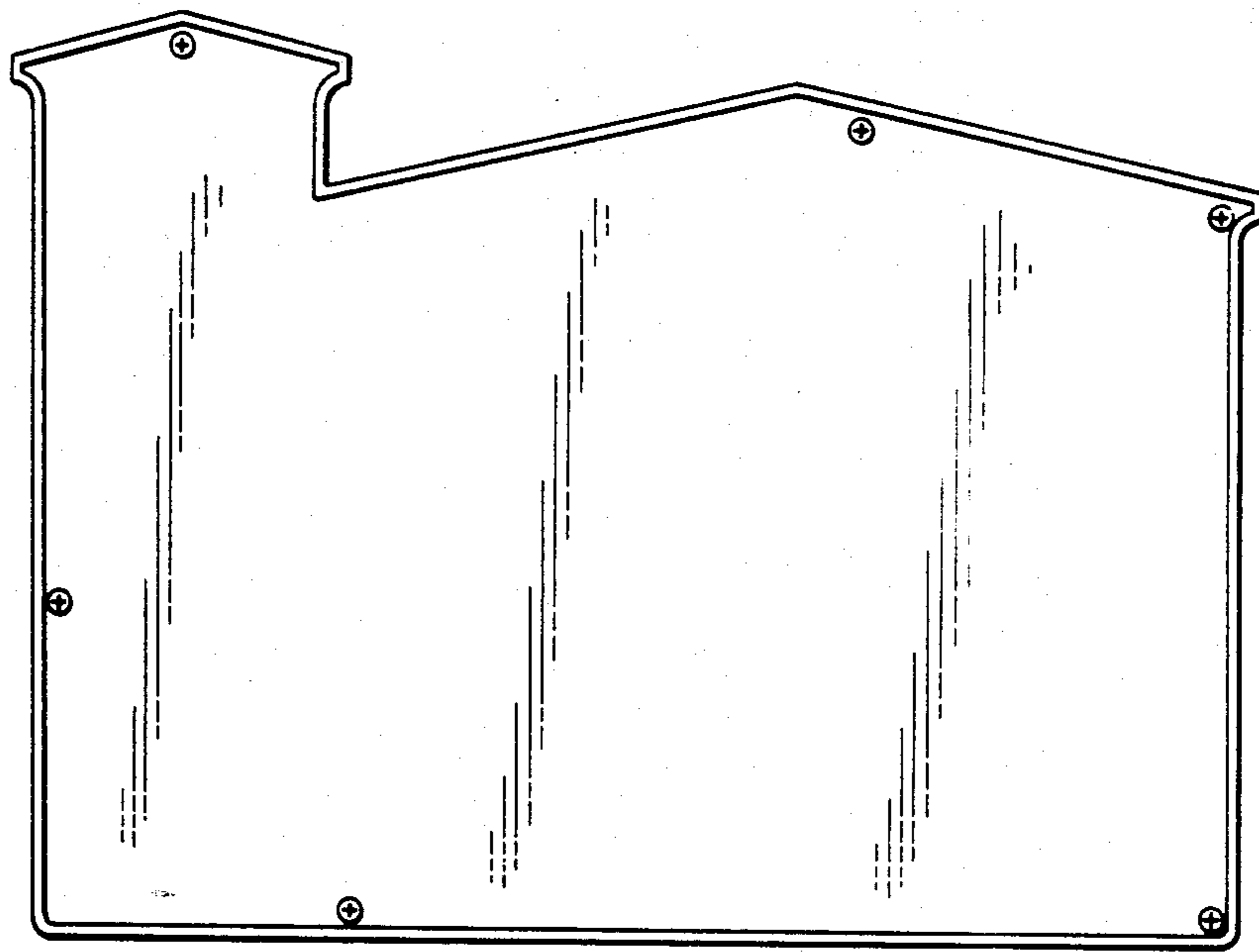


FIG. 3.