

[54] **DRAWING TOY**

[75] **Inventor: Kai S. Mak, New Territories, Hong Kong**

[73] **Assignee: Hop Lee Cheong Industrial Co. Ltd., Hong Kong**

[**] **Term: 14 Years**

[21] **Appl. No.: 475,978**

[22] **Filed: Mar. 16, 1983**

[30] **Foreign Application Priority Data**

Sep. 27, 1982 [GB] United Kingdom 1008889

[52] **U.S. Cl. D21/59**

[58] **Field of Search D21/59; 434/85, 86, 434/90; 446/146, 147**

[56] **References Cited**

U.S. PATENT DOCUMENTS

D. 262,728	1/1982	Kroll	D21/59
D. 262,899	2/1982	Kroll	D21/59
D. 263,158	2/1982	Craig	D21/59
3,510,949	5/1970	Christy	446/146
4,139,965	2/1979	Curry et al.	434/84

OTHER PUBLICATIONS

Toys, Hobbies & Crafts Magazine, 2-1980, p. 78, Item #16, Puzzle.

Primary Examiner—Charles A. Rademaker
Attorney, Agent, or Firm—Bacon & Thomas

[57] **CLAIM**

The ornamental design for a drawing toy, substantially as shown.

DESCRIPTION

FIG. 1 is a front perspective view of a drawing toy showing my new design;
FIG. 2 is a rear perspective view thereof; and,
FIG. 3 is a rear elevational view thereof.

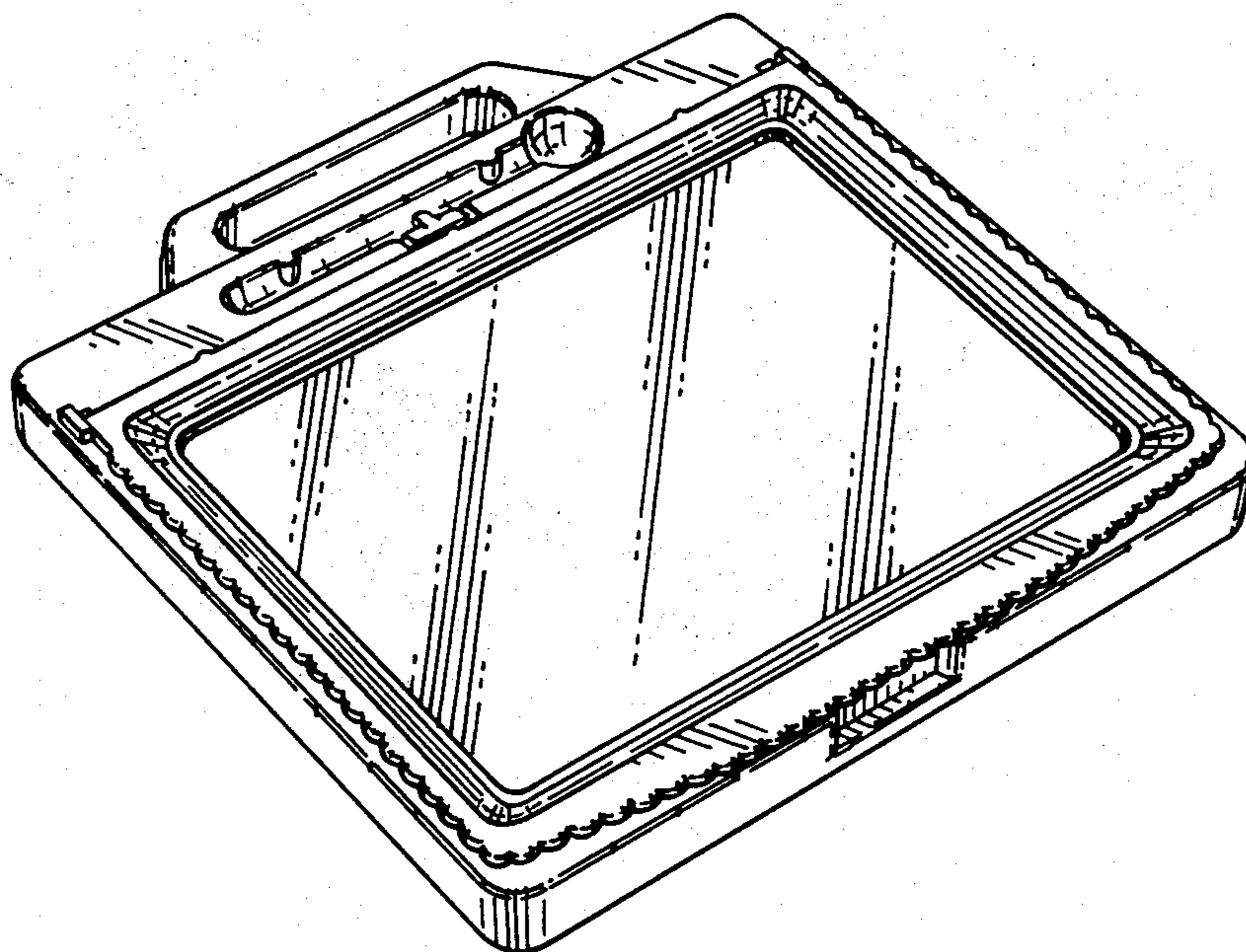


FIG. 1.

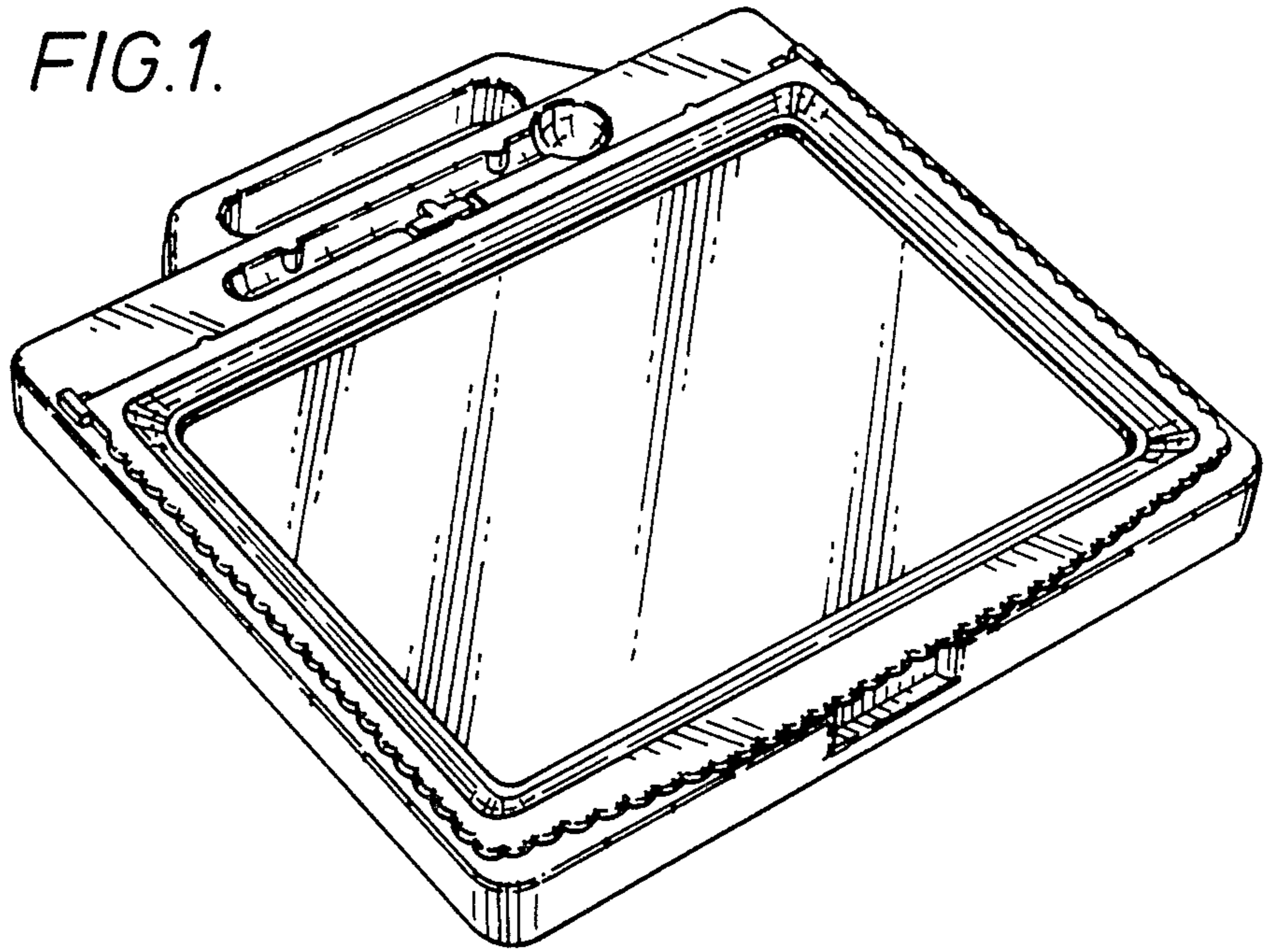
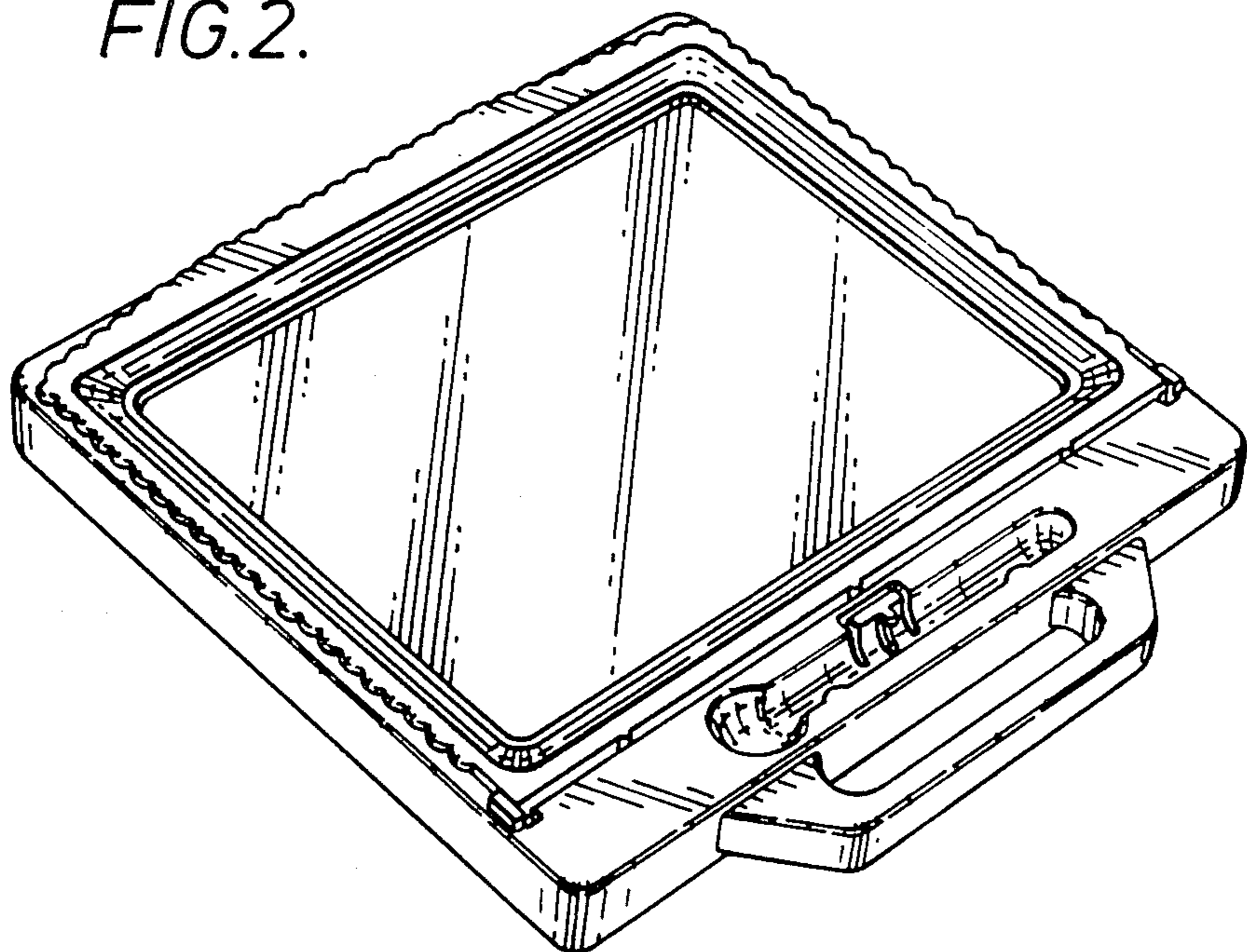


FIG. 2.



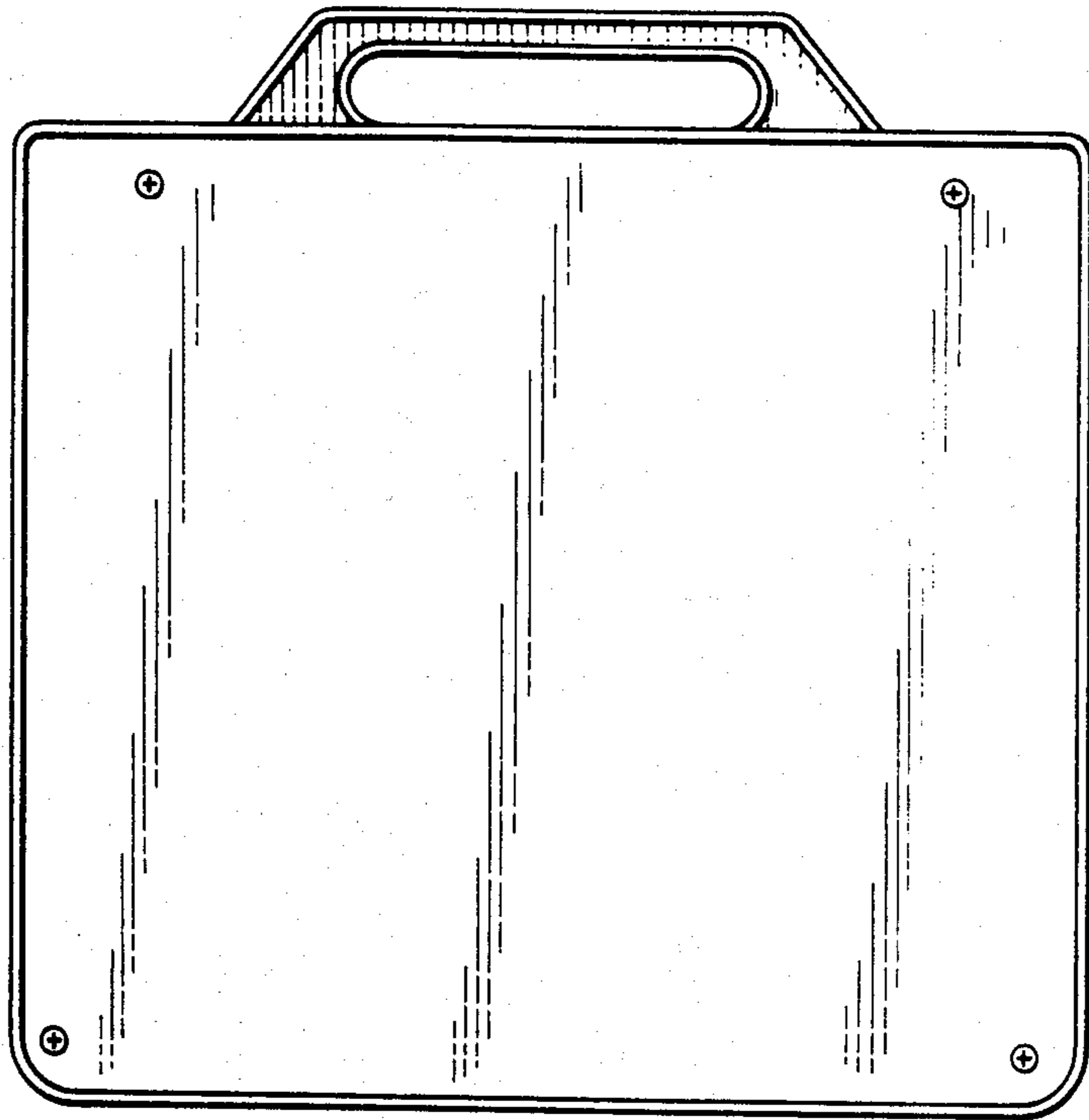


FIG.3.