

[54] CONTROLLER FOR A VIDEO GAME OR THE LIKE

[75] Inventor: Brian J. Maloney, St. Charles, Ill.

[73] Assignee: International Jensen Incorporated, Schiller Park, Ill.

[**] Term: 14 Years

[21] Appl. No.: 488,137

[22] Filed: Apr. 25, 1983

[52] U.S. Cl. D21/48

[58] Field of Search D21/48, 13, 1; D13/11, D13/12, 32, 37, 38; 273/DIG. 28, 148 B, 1 GC, 85 G

[56] References Cited

U.S. PATENT DOCUMENTS

3,707,093 12/1972 Worden 74/471 XY

OTHER PUBLICATIONS

Vending Times, Jul. 1982, p. 40, "Tron", Control Stick. Montgomery Ward Xmas Cat., 1977, p. 434, bottom left, "Telstar Combat".

Primary Examiner—Melvin B. Feifer
Attorney, Agent, or Firm—Willian, Brinks, Olds, Hofer, Gilson & Lione Ltd.

[57] CLAIM

The ornamental design for a controller for a video game or the like, substantially as shown.

DESCRIPTION

FIG. 1 is a rear perspective view of a controller for video game or the like showing my new design; FIG. 2 is a top plan view thereof; FIG. 3 is a left side elevational view thereof; FIG. 4 is a right side elevational view thereof; FIG. 5 is a front elevational view thereof; FIG. 6 is a rear elevational view thereof; FIG. 7 is a bottom plan view thereof.

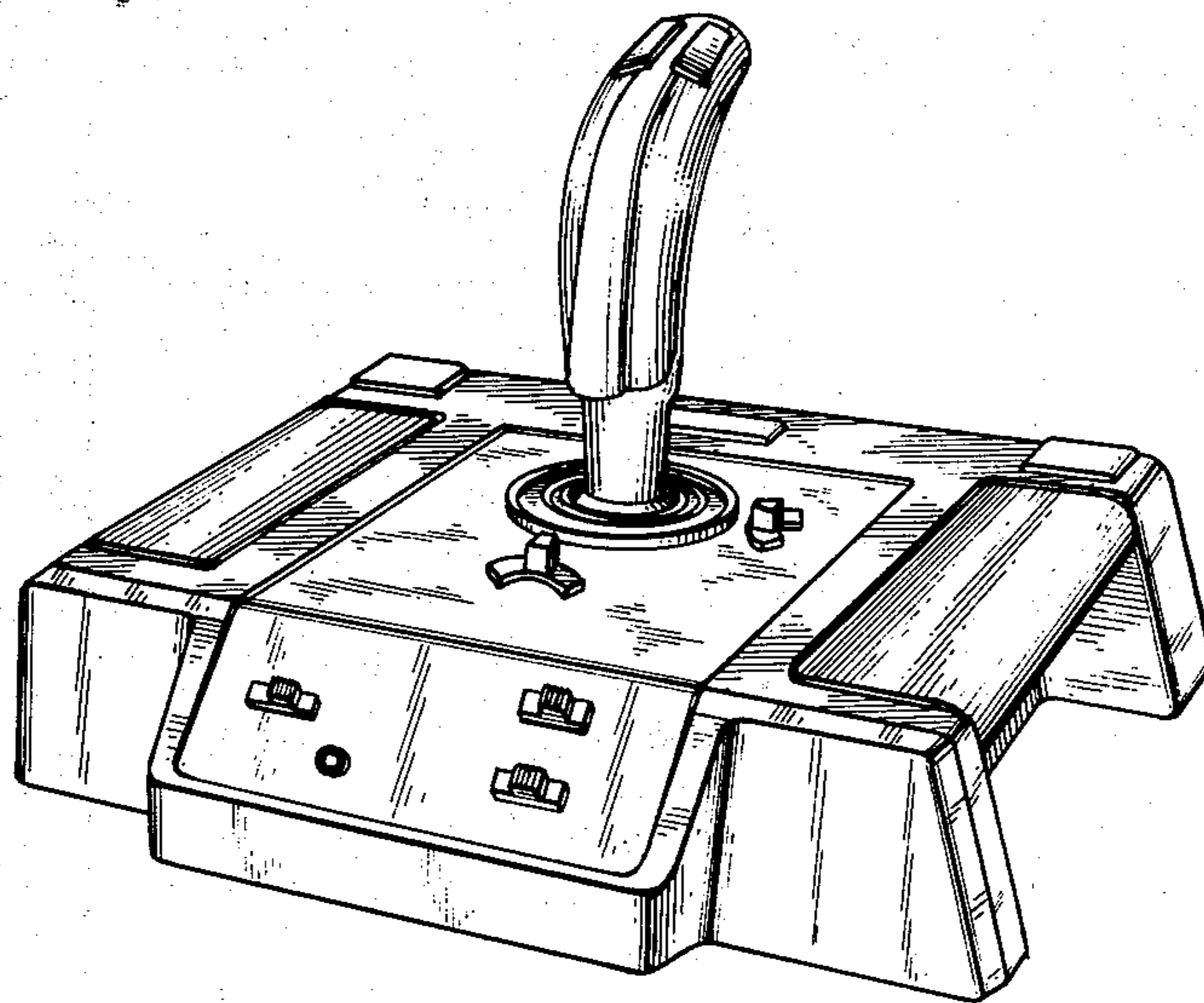


FIG. 1

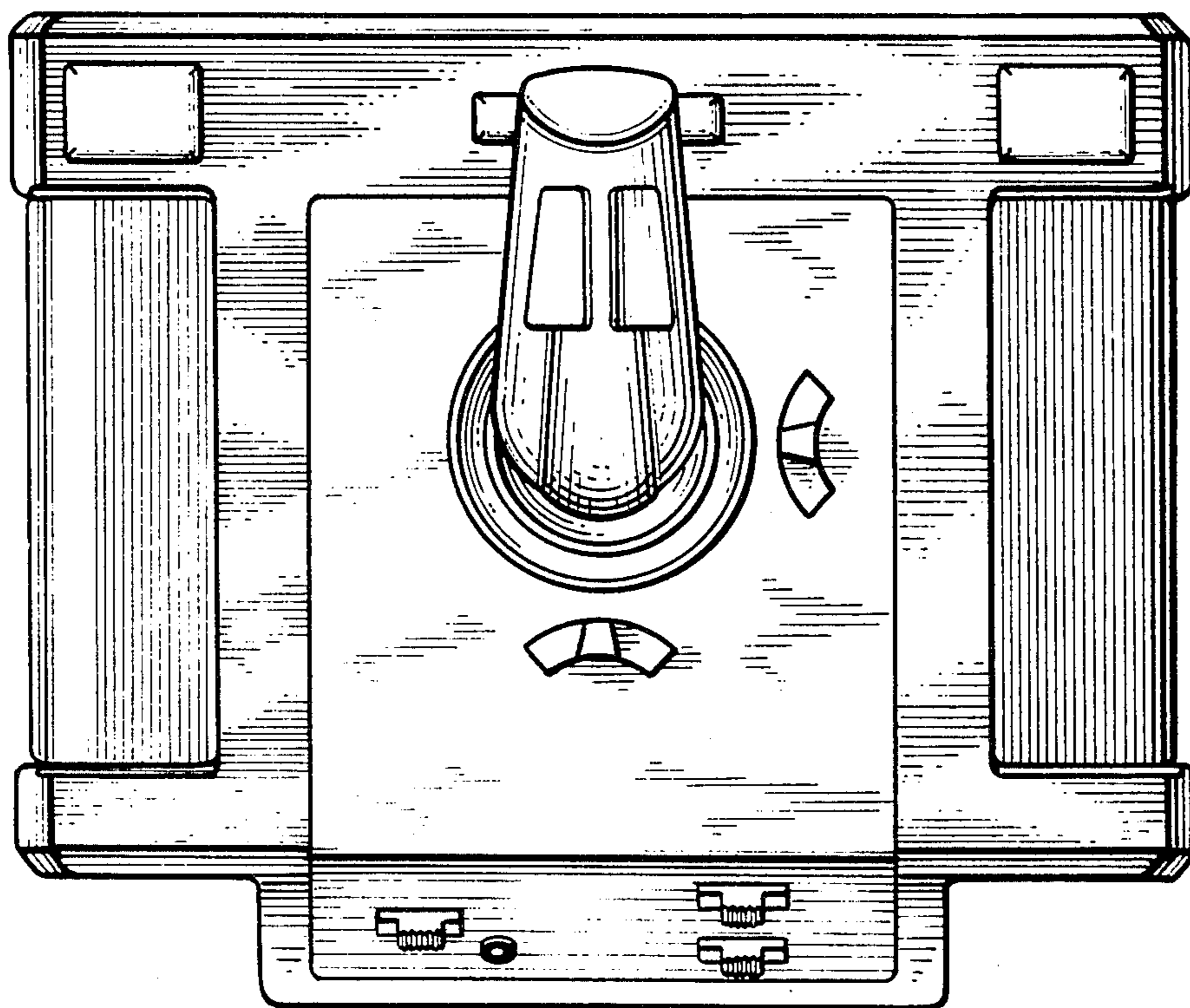
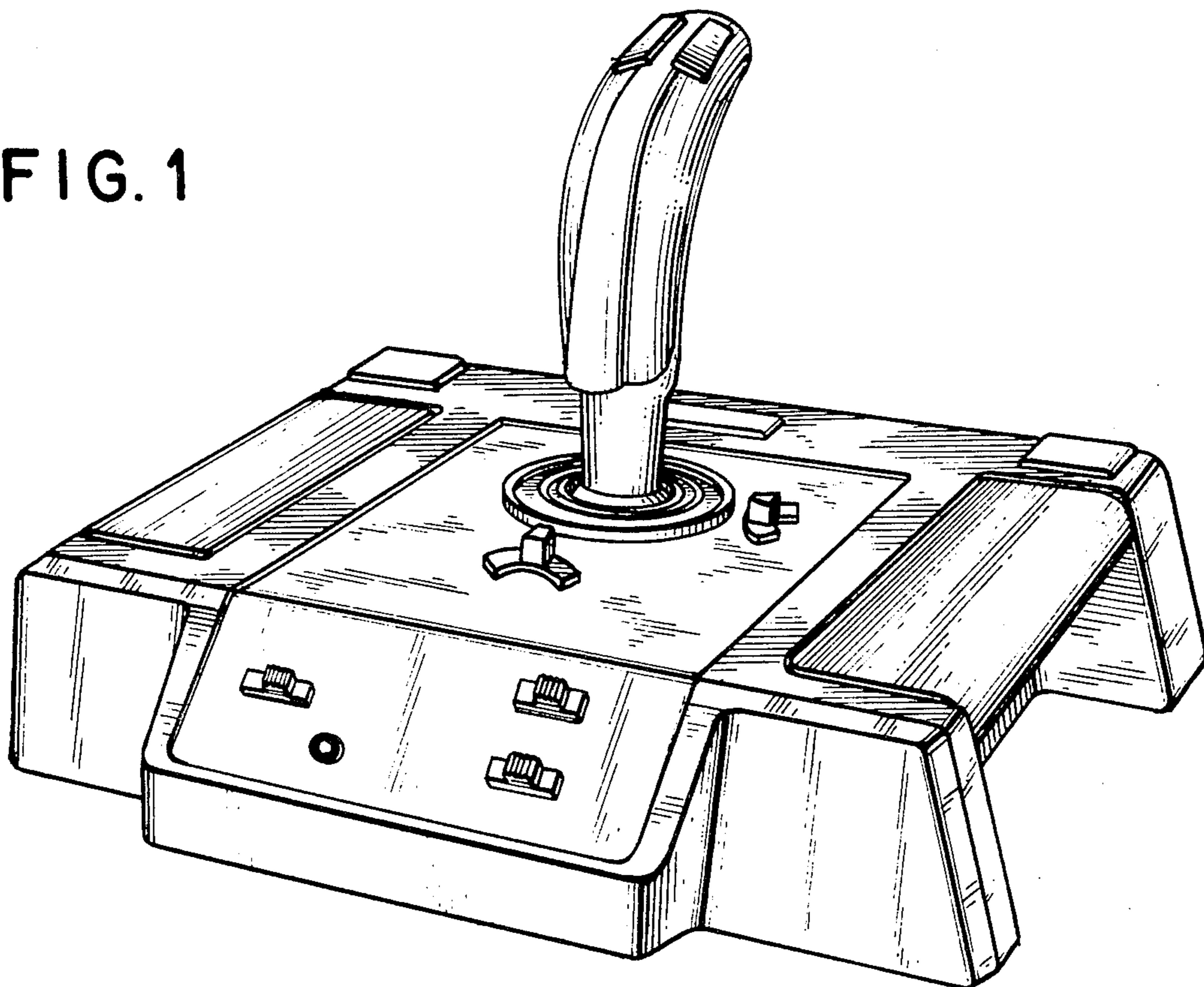


FIG. 2

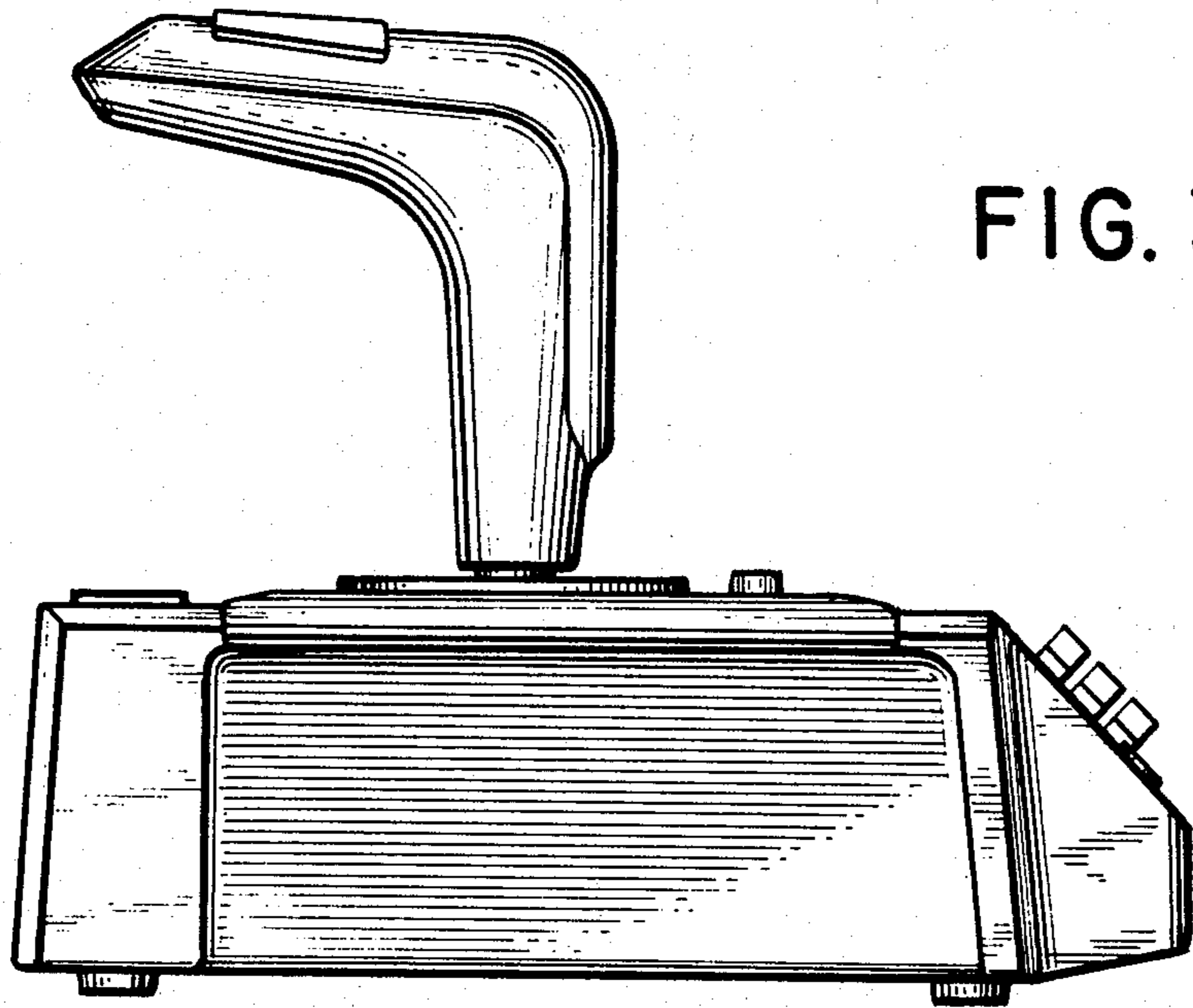
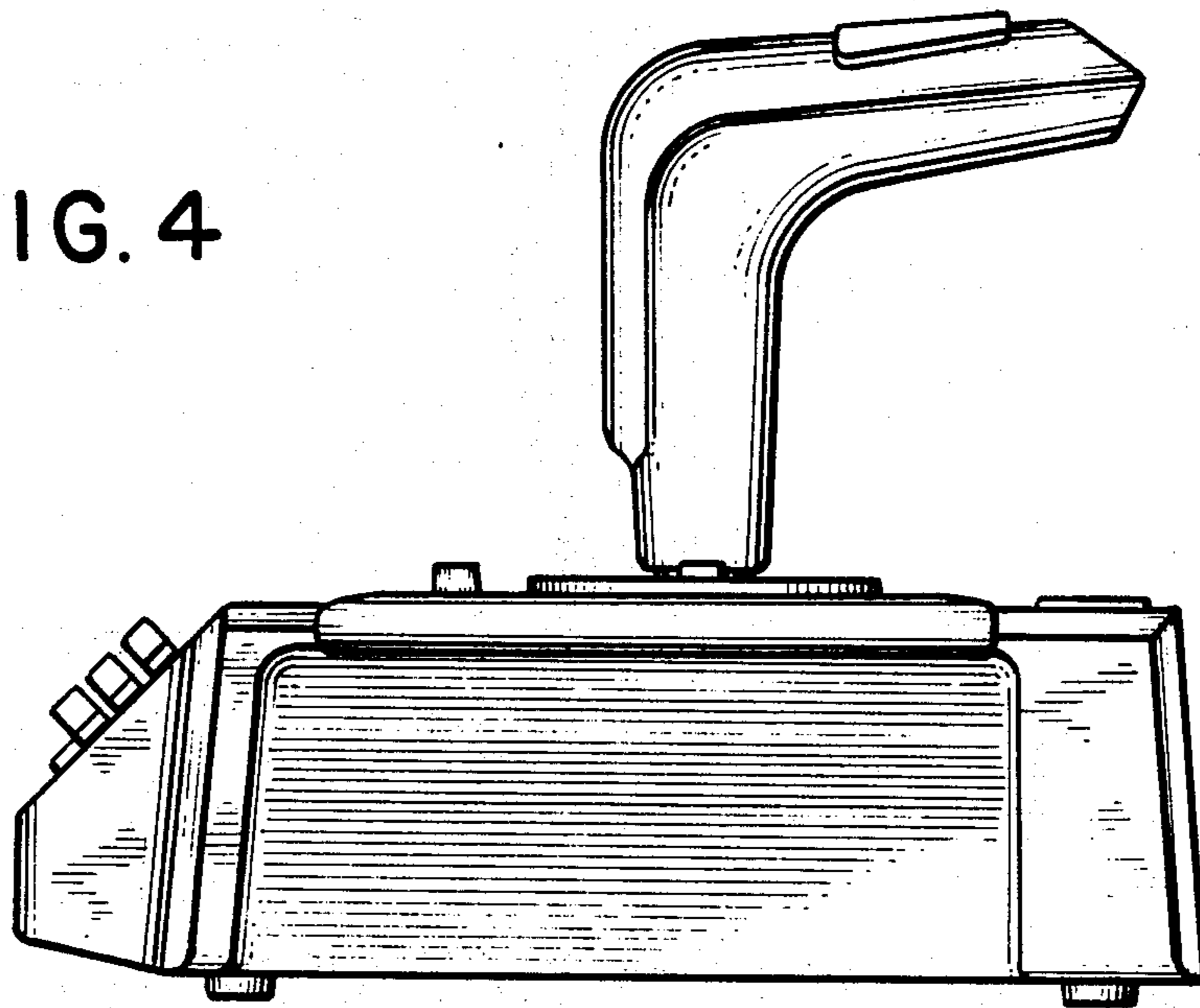


FIG. 3

FIG. 4



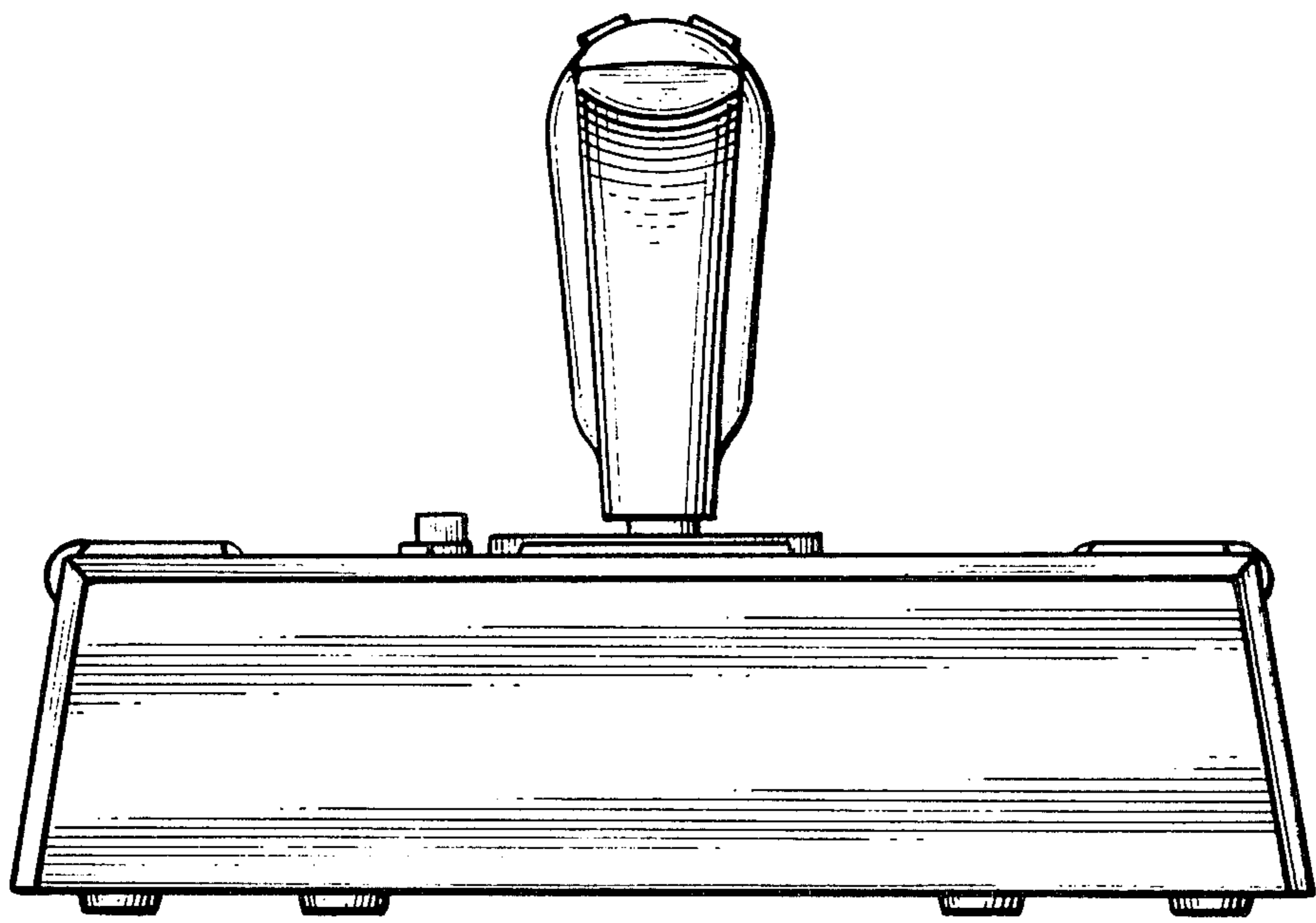


FIG. 5

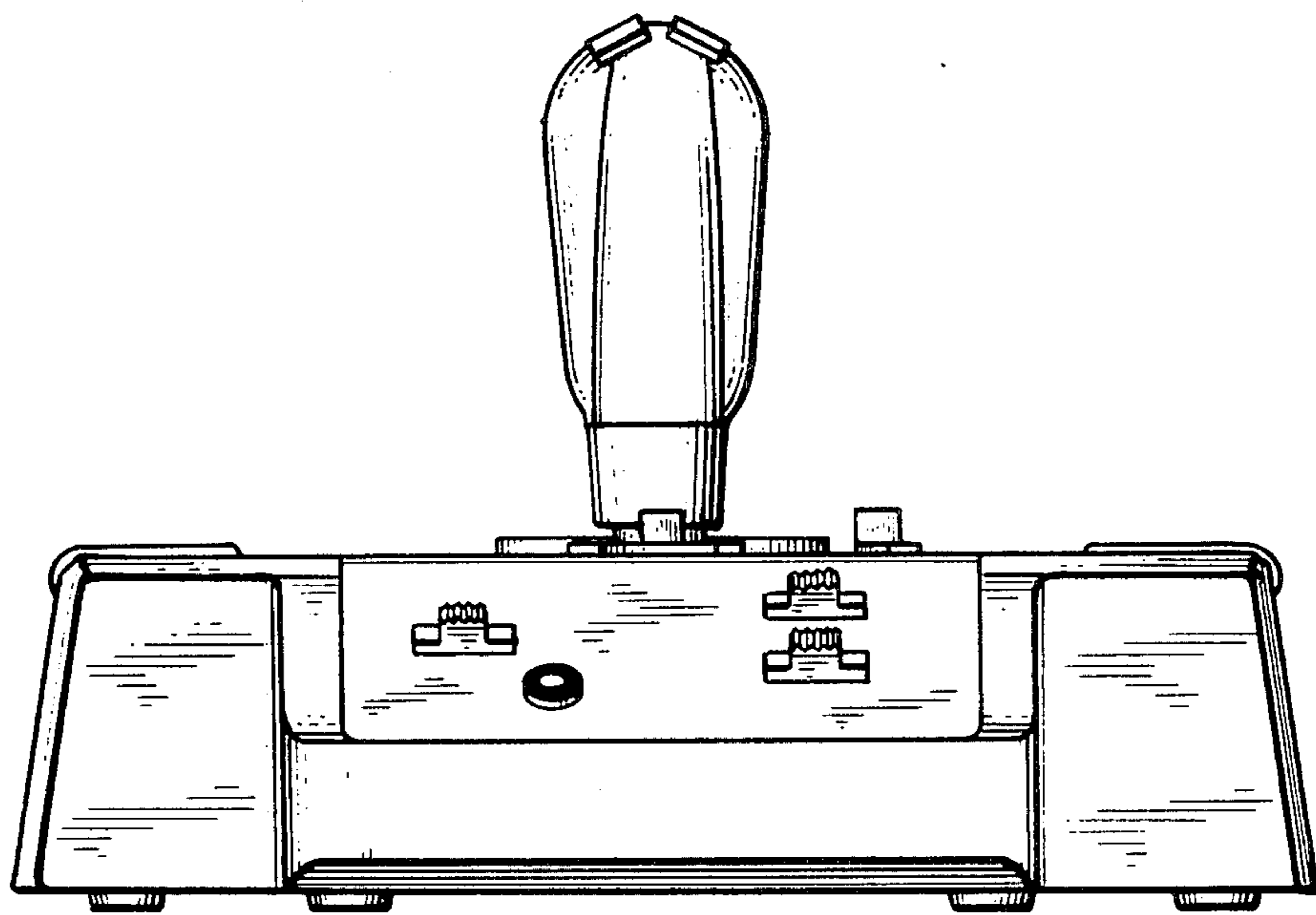


FIG. 6

FIG. 7

