

[54] **ILLUMINATED SIGN**

[76] **Inventor: Steven R. Brennan, 2212 W. 53rd St., Minneapolis, Minn. 55419**

[**] **Term: 14 Years**

[21] **Appl. No.: 538,586**

[22] **Filed: Oct. 3, 1983**

[52] **U.S. Cl. D20/17; D20/42; D20/43**

[58] **Field of Search 40/584, 541, 564, 578, 40/611, 612; D20/10, 17, 42, 43**

[56] **References Cited**

U.S. PATENT DOCUMENTS

D. 172,117	5/1954	Wendling	D20/17
D. 216,866	3/1970	Greco	D20/17
962,436	6/1910	Kellner et al.	40/564
1,446,180	2/1923	Herrick	40/564

2,253,236	8/1941	Huey	40/564 X
3,325,936	6/1967	Swartz	40/564
4,272,901	6/1981	Matthews	40/578 X

Primary Examiner—Catherine E. Kemper
Attorney, Agent, or Firm—Merchant, Gould, Smith, Edell, Welter & Schmidt

[57] **CLAIM**

The ornamental design for an illuminated sign, as shown and described.

DESCRIPTION

FIG. 1 is a front perspective view of an illuminated sign showing my new design;
FIG. 2 is a left side elevational view thereof (the right elevational view being a mirror image thereof);
FIG. 3 is a top plan view thereof (the bottom plan view being a mirror image thereof);
FIG. 4 is a front elevational view thereof; and
FIG. 5 is a rear elevational view thereof.

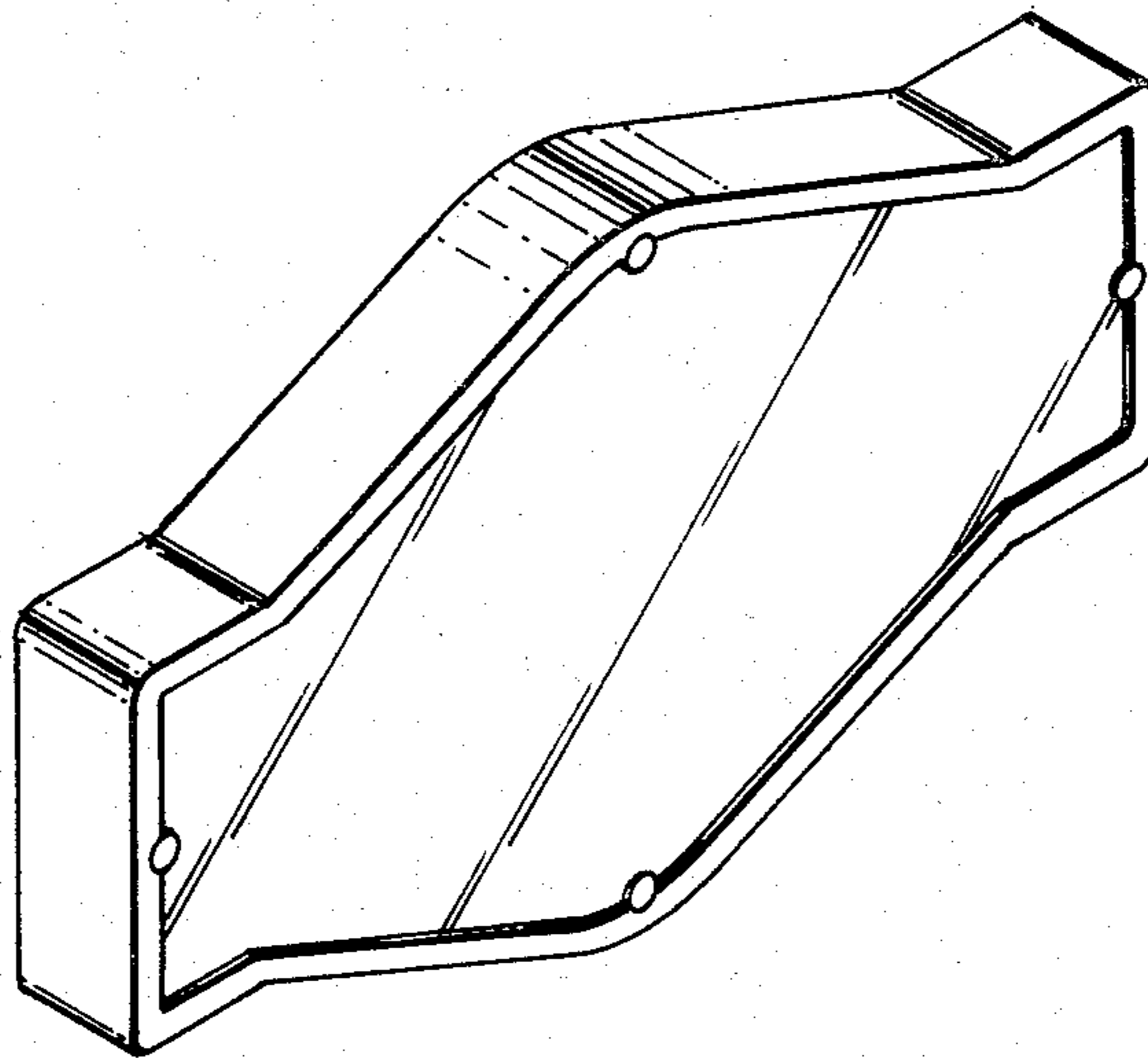


FIG. 1

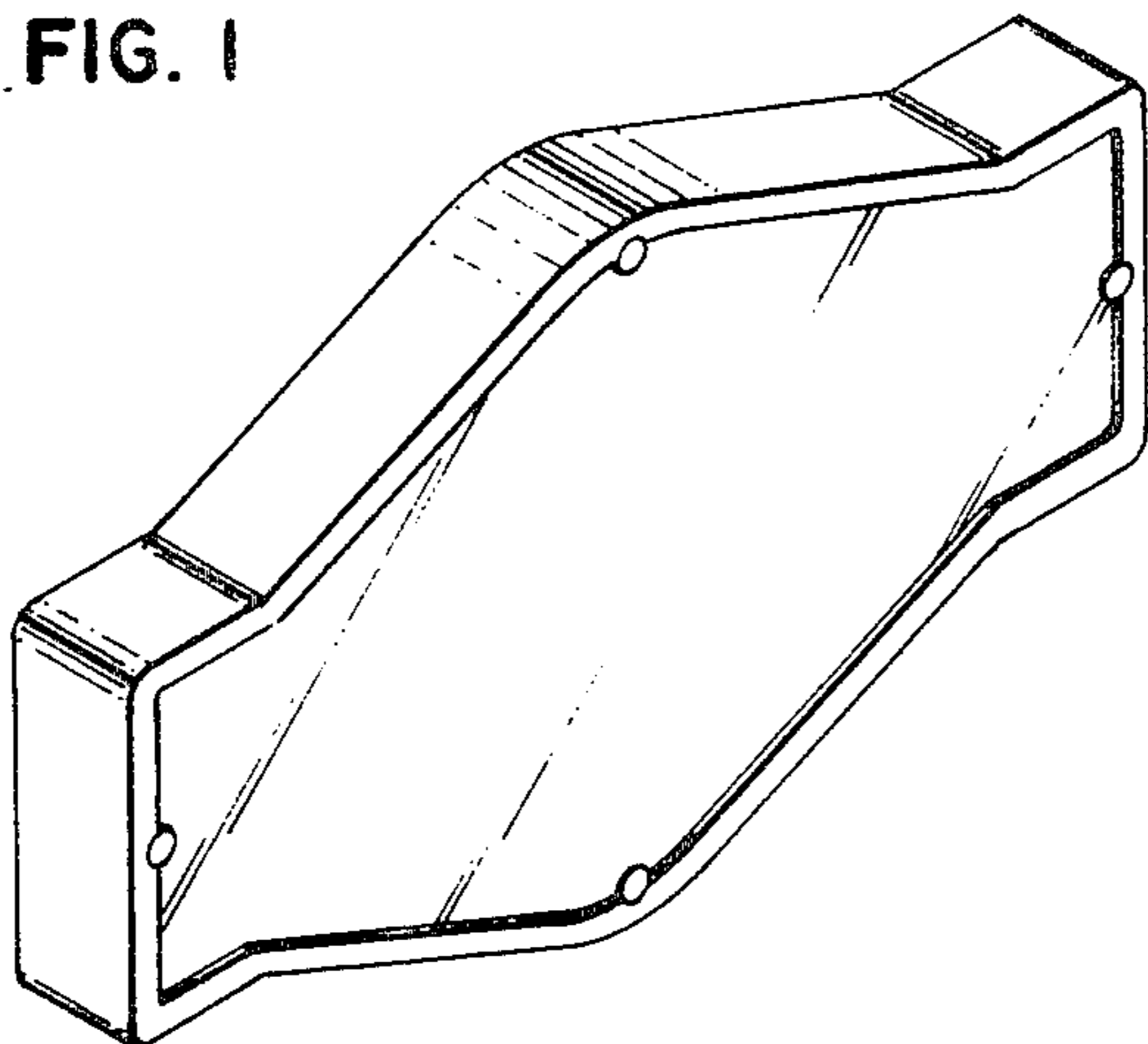


FIG. 2



FIG. 3



FIG. 4

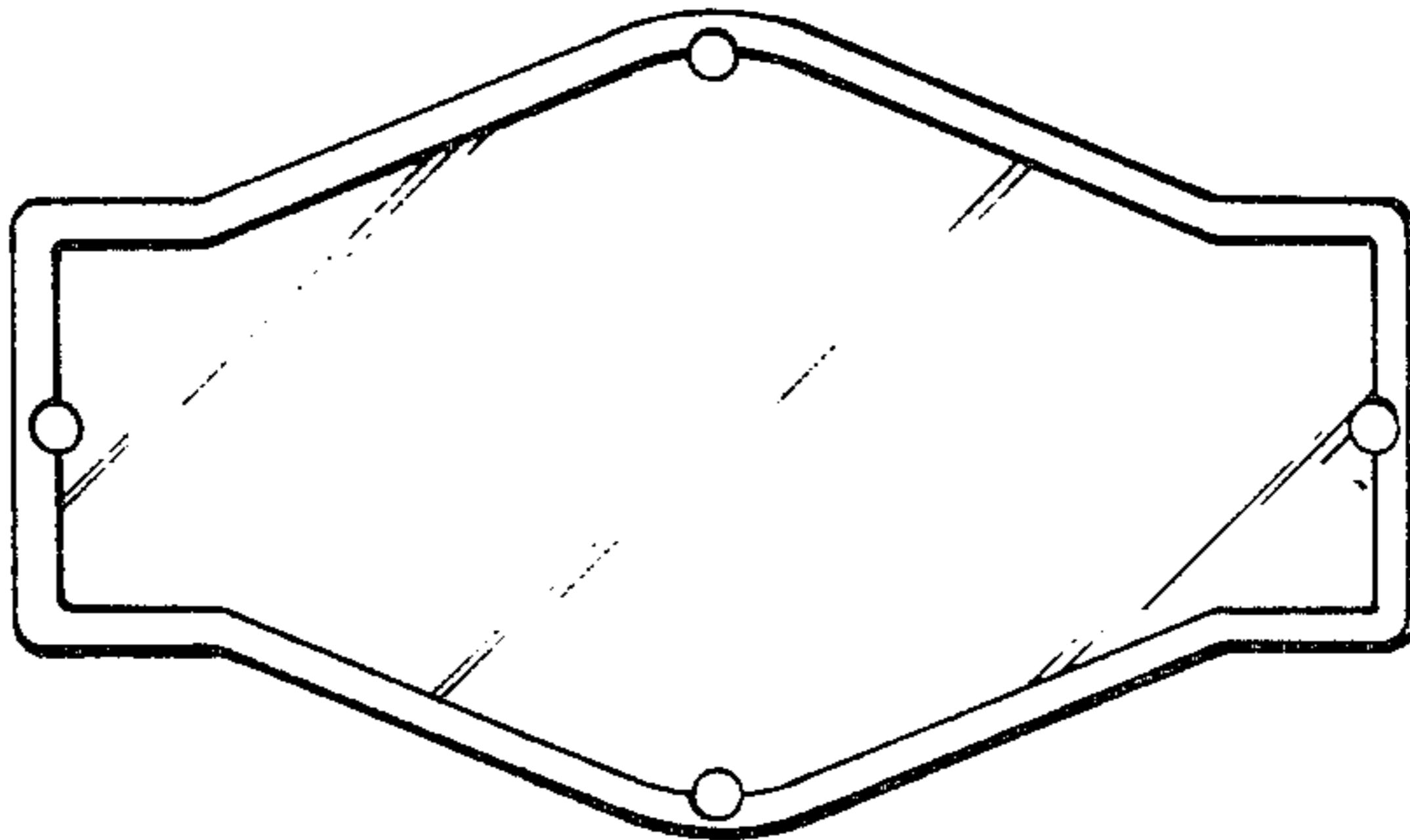


FIG. 5

