

[54] FUEL NOZZLE AD DISPLAY BOARD
 [75] Inventor: Frank Goldman, Johnstown, Pa.
 [73] Assignee: Noz-L-Ad, Inc., Philadelphia, Pa.
 [**] Term: 14 Years
 [21] Appl. No.: 464,265
 [22] Filed: Feb. 7, 1983
 [52] U.S. Cl. D20/10
 [58] Field of Search D20/10, 40, 43, 99;
 40/584, 10 R, 20 R, 21, 609, 310, 316, 333

2,830,394 4/1958 Gordon et al. 40/10 R
 2,849,817 9/1958 Krayner .
 3,685,184 9/1972 Snyder .
 3,882,618 5/1975 Hart .
 4,246,712 1/1981 Vander Wall 40/21 R X

Primary Examiner—Catherine E. Kemper
 Attorney, Agent, or Firm—David H. Semmes; Warren E. Olsen

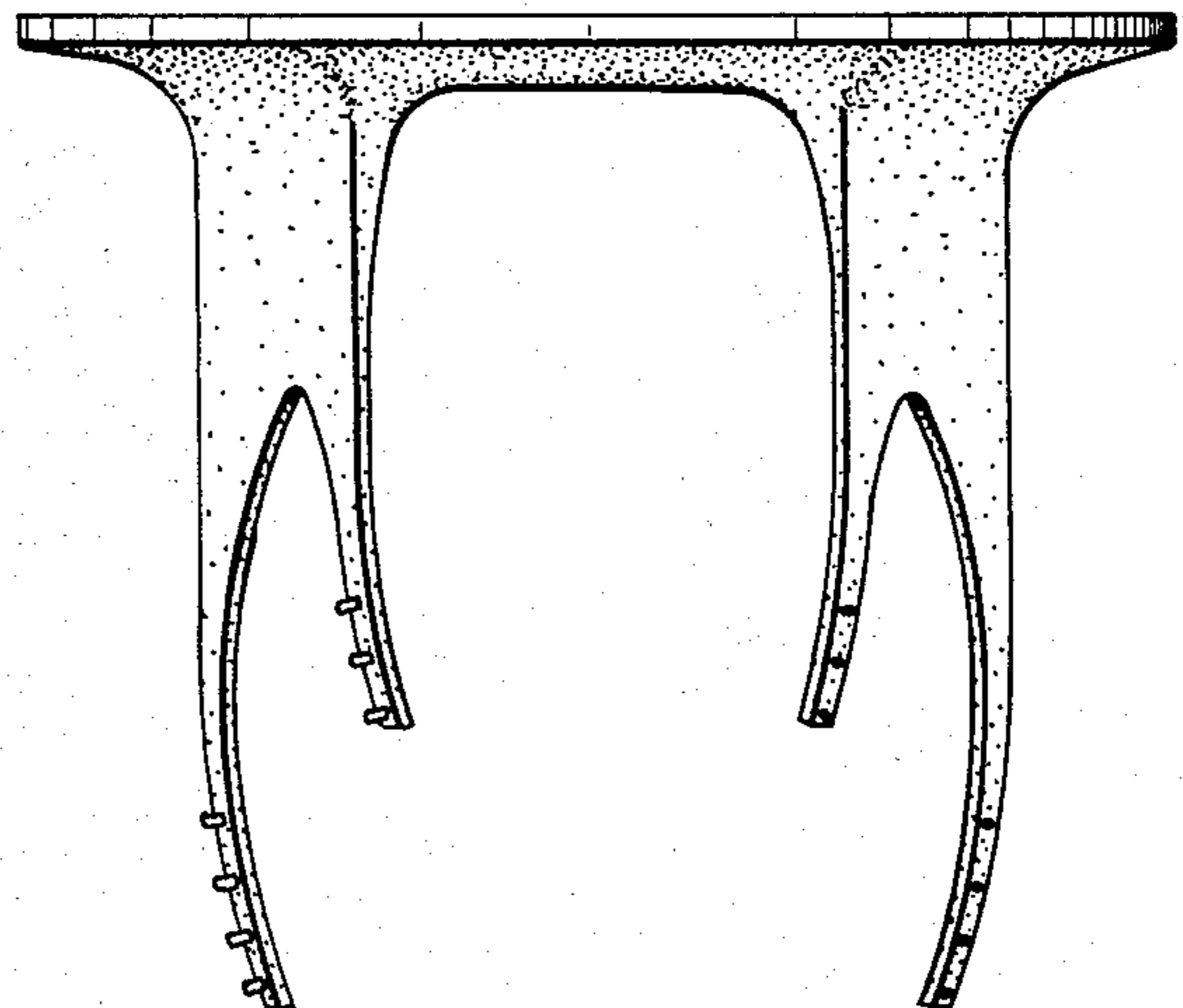
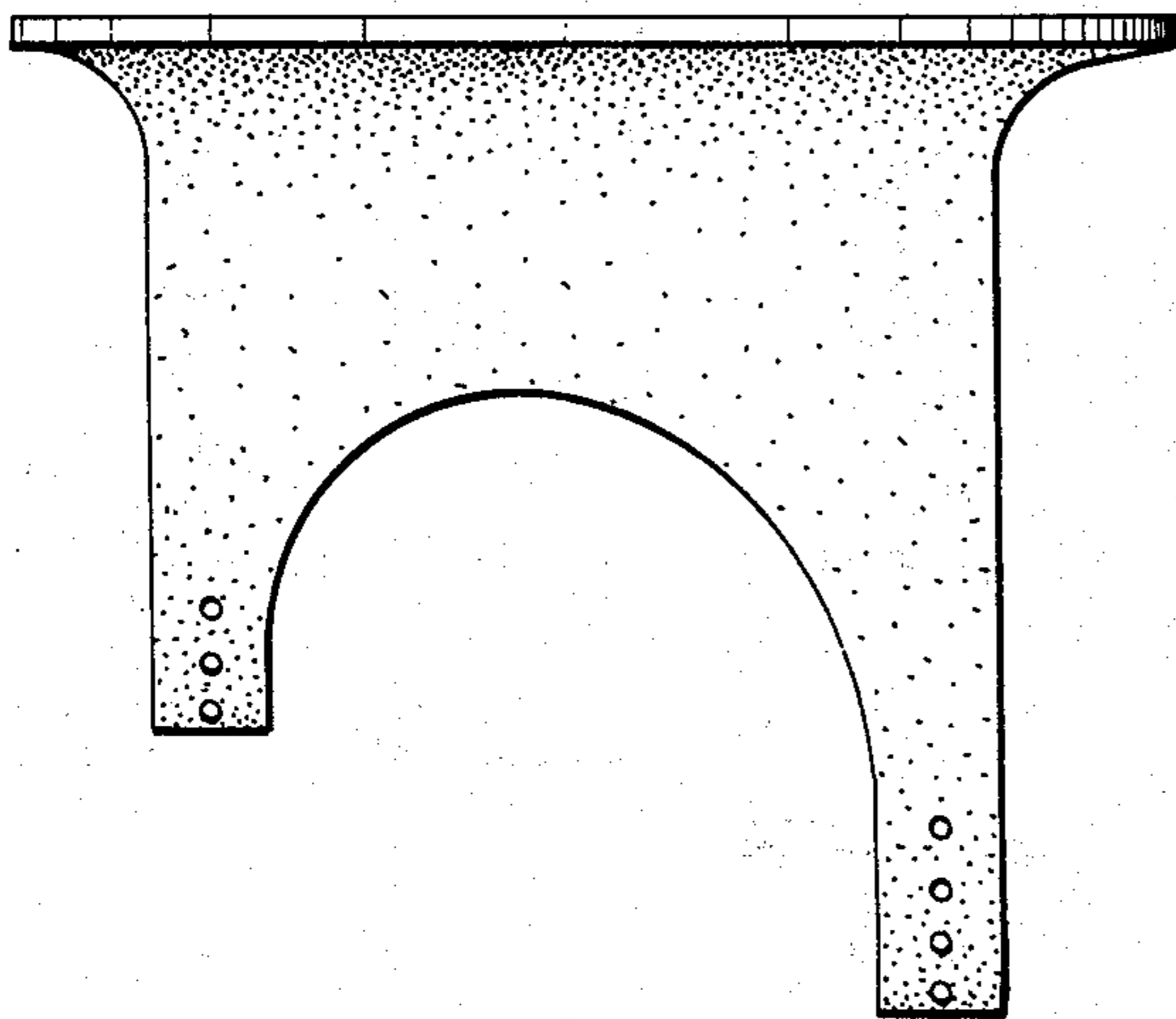
[57] CLAIM

The ornamental design for a fuel nozzle ad display board, shown and described.

DESCRIPTION

FIG. 1 is a left side elevation view of a fuel nozzle ad display board showing my new design;
 FIG. 2 is a front elevational view thereof;
 FIG. 3 is a top plan view thereof;
 FIG. 4 is a bottom plan view thereof;
 FIG. 5 is a rear elevational view thereof.

[56] References Cited
 U.S. PATENT DOCUMENTS
 1,490,882 4/1924 Anderson 40/11 R
 1,850,471 3/1932 Norris 40/10 R
 1,890,314 12/1932 Crane .
 2,554,923 5/1951 Reitz .
 2,627,683 2/1953 Leander .



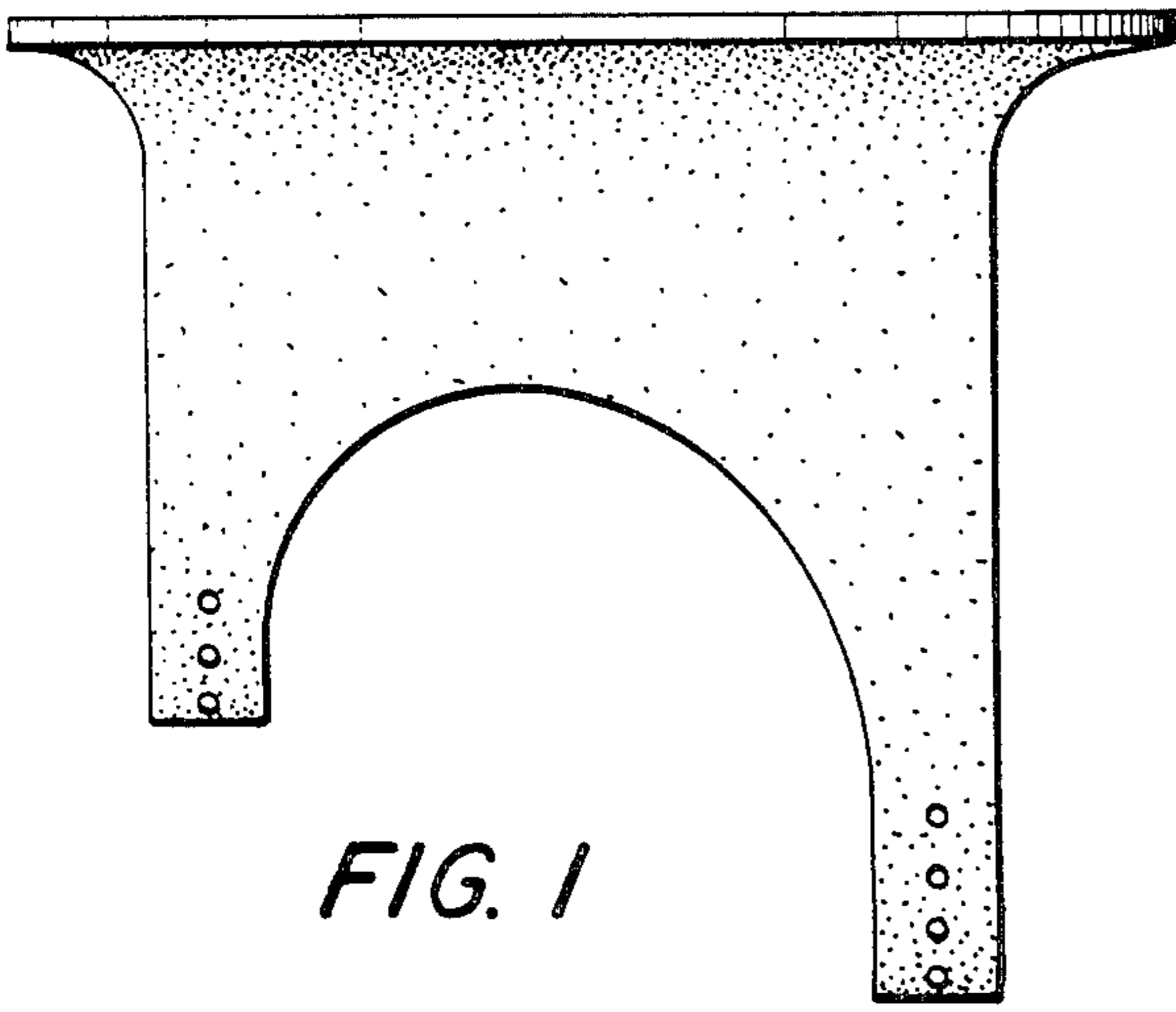


FIG. 1

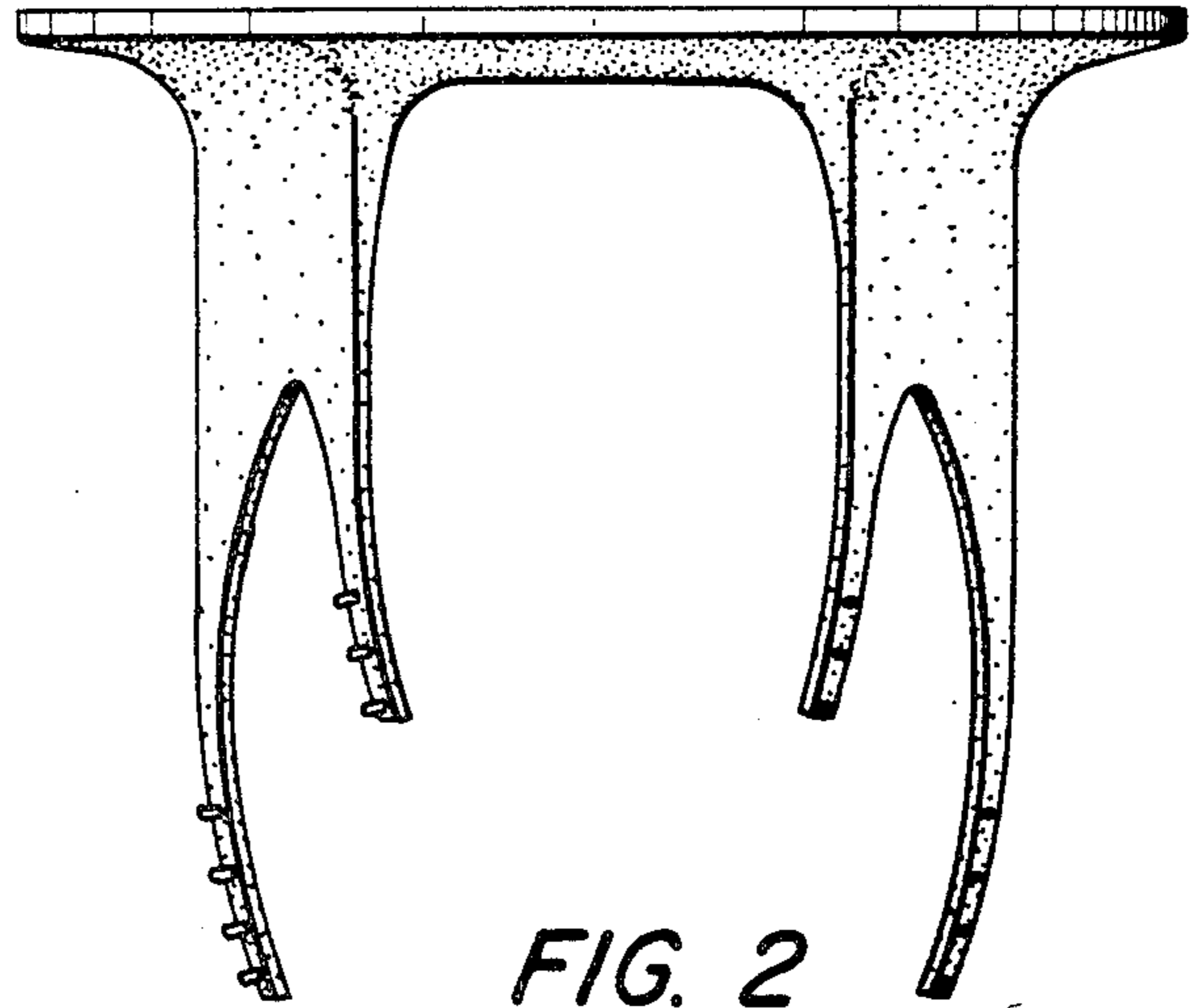


FIG. 2

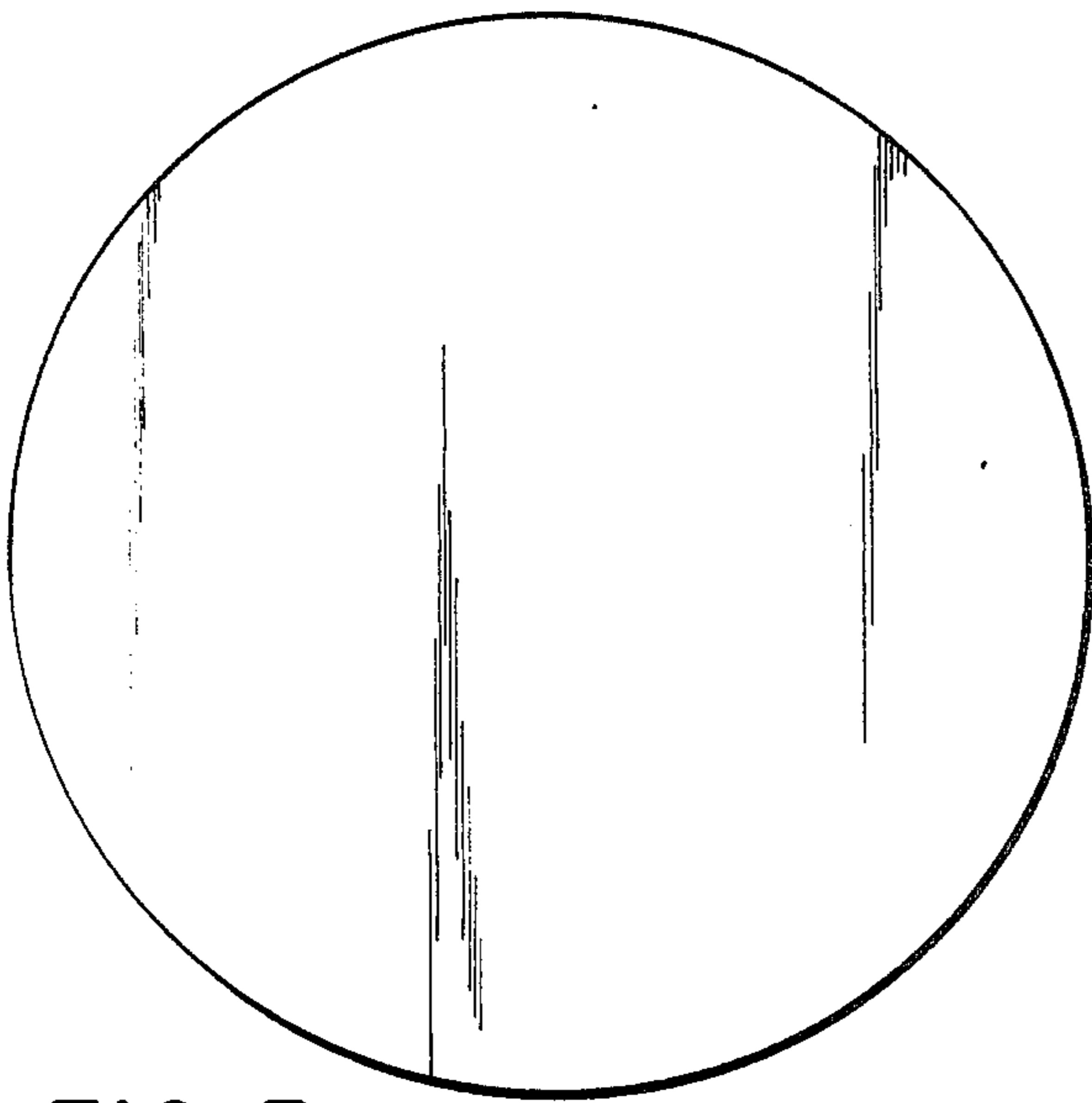


FIG. 3

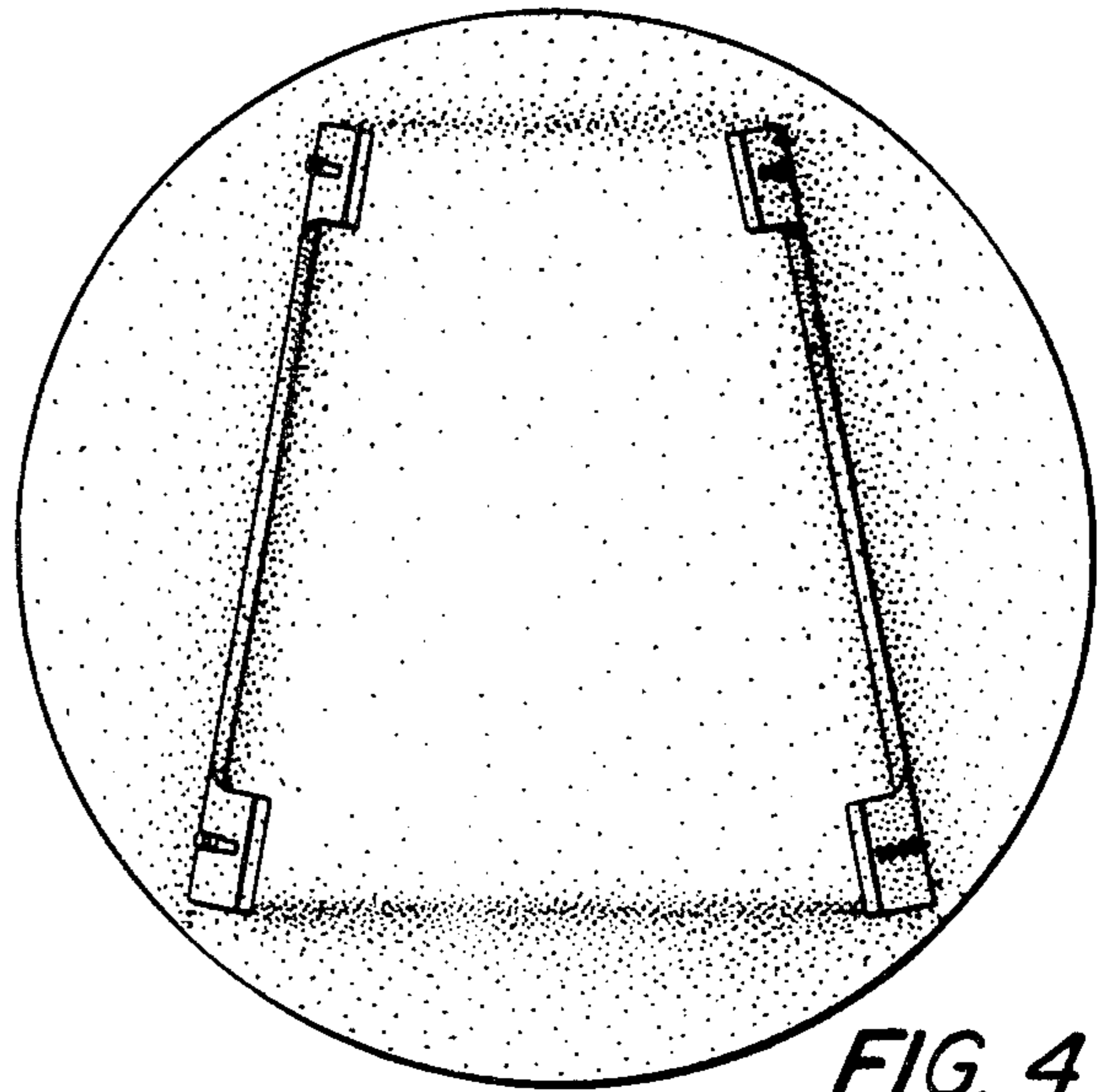


FIG. 4

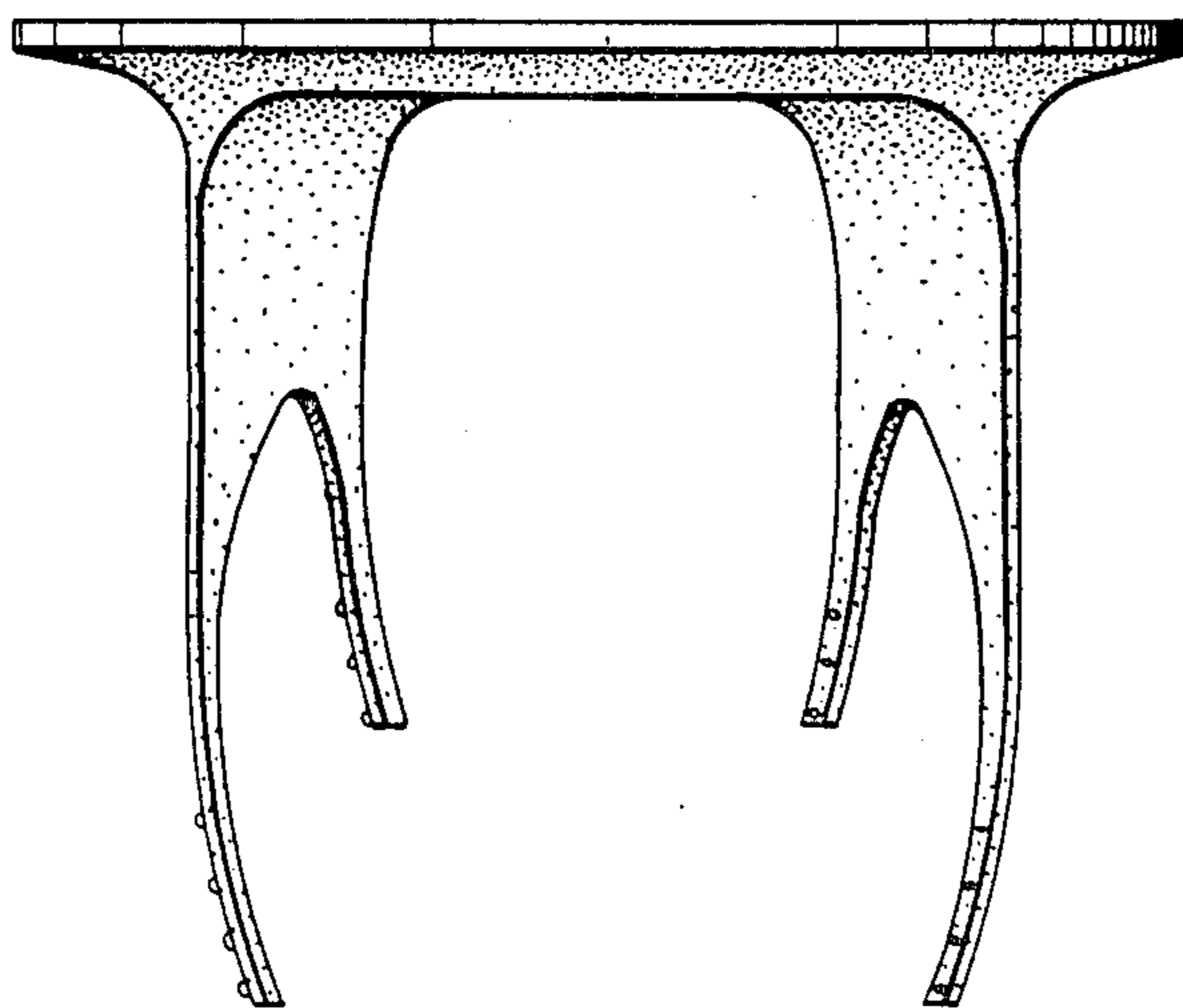


FIG. 5