

[54] ADJUSTABLE HOLE CUTTER FOR USE WITH INTERCHANGEABLE ARBORS

2,263,637 11/1941 Maupin 408/196
2,401,979 6/1946 Smith 408/196

[76] Inventor: Myron B. Mittleman, 35 Sutton Pl., New York, N.Y. 10022

Primary Examiner—B. J. Bullock
Assistant Examiner—Suzanne N. Gitlin
Attorney, Agent, or Firm—Howard C. Miskin

[**] Term: 14 Years

[57] CLAIM

[21] Appl. No.: 312,751

The ornamental design for an adjustable hole cutter for use with interchangeable arbors, as shown and described.

[22] Filed: Oct. 19, 1981

[52] U.S. Cl. D15/139

[58] Field of Search D15/138, 139, 141, 130, D15/132; 408/195, 196

DESCRIPTION

[56] References Cited

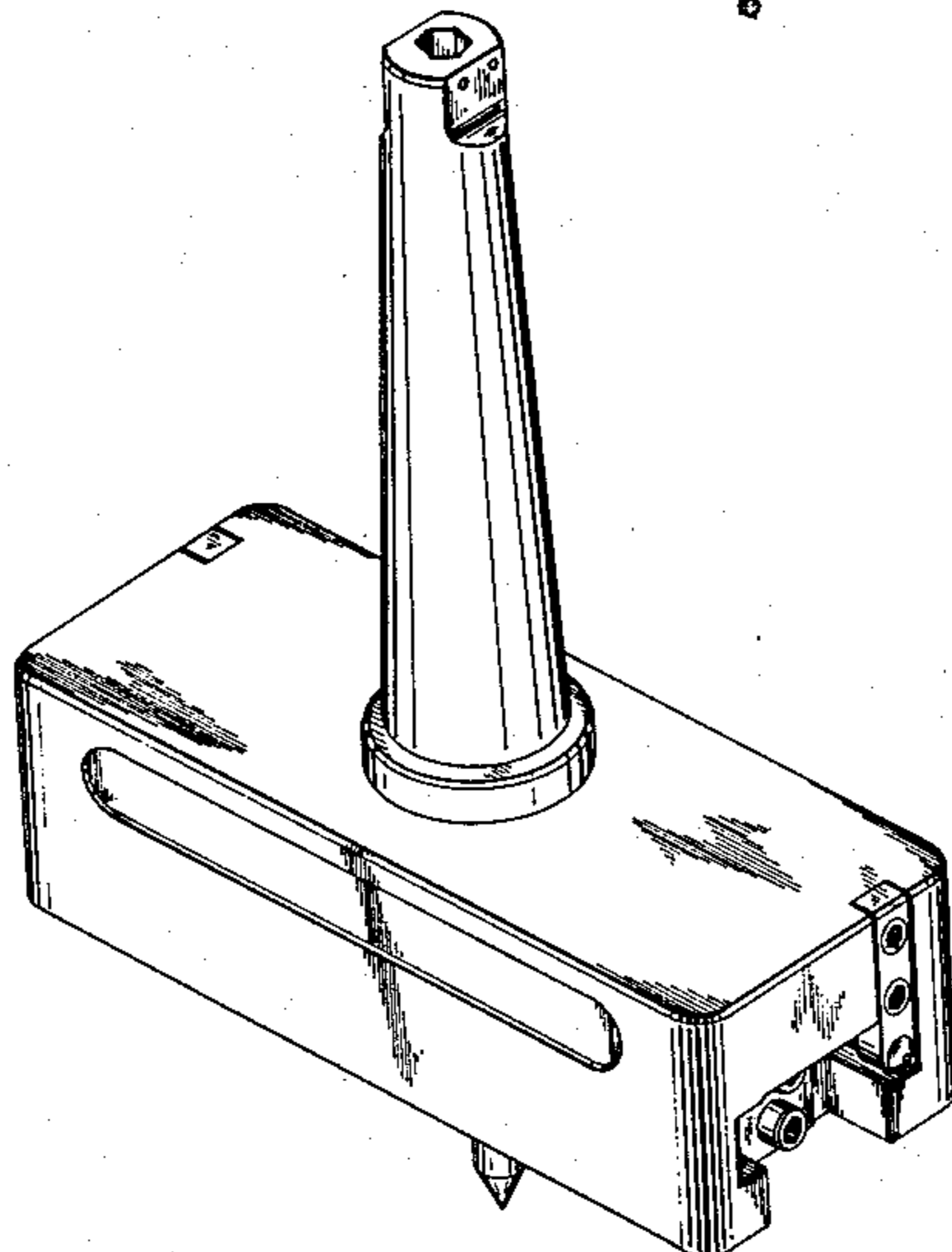
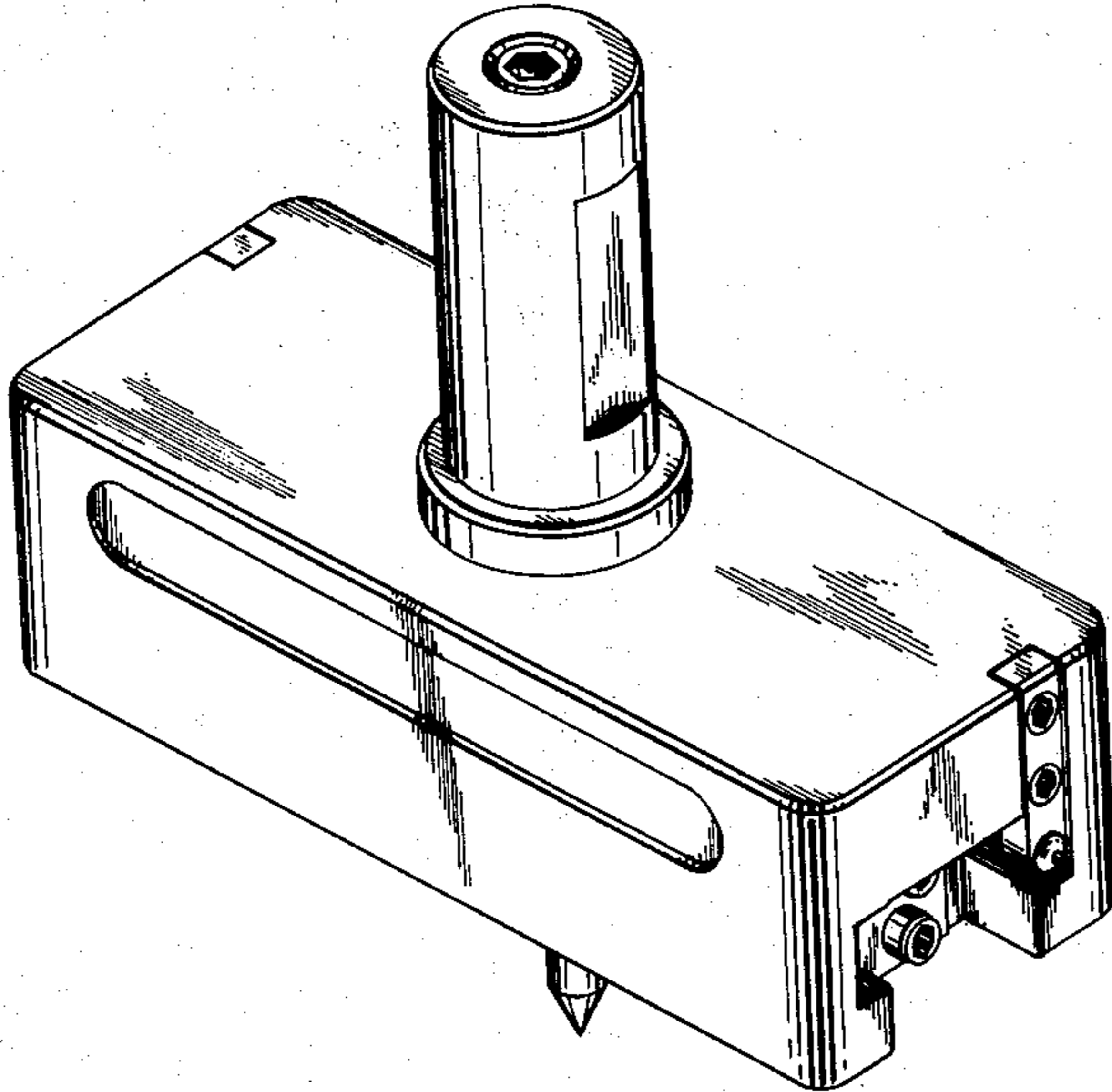
U.S. PATENT DOCUMENTS

860,020 7/1907 Dearholt 408/195
1,354,848 8/1920 Schilling et al. 408/196
1,537,376 5/1925 Prosser 408/196

FIG. 1 is a bottom perspective view of an adjustable hole cutter for use with interchangeable arbors showing my new design;

FIG. 2 is a top perspective view thereof;

FIG. 3 is a second embodiment of my design wherein the only difference resides in the appearance of the shank.



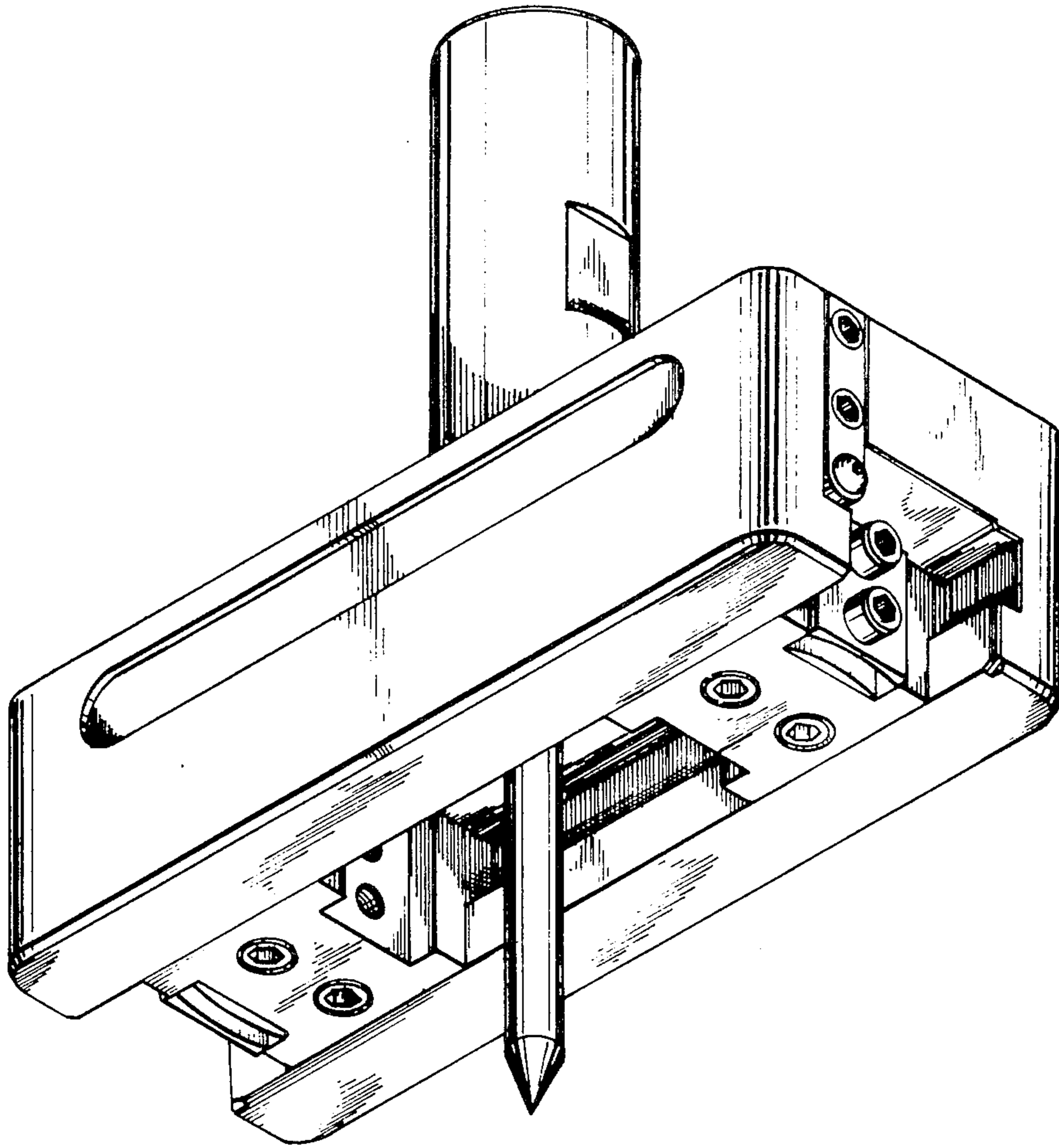


FIG-1

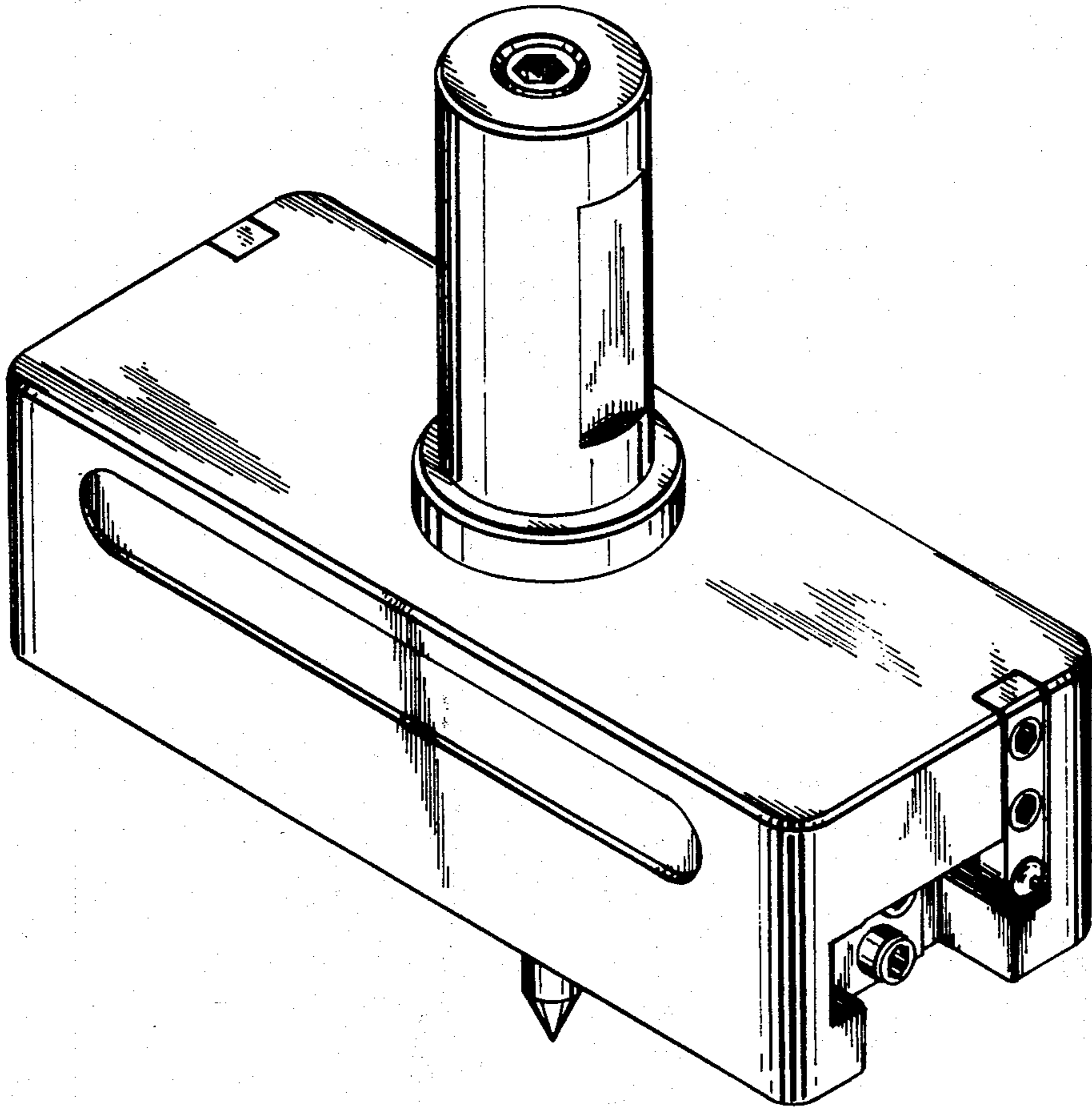


FIG-2

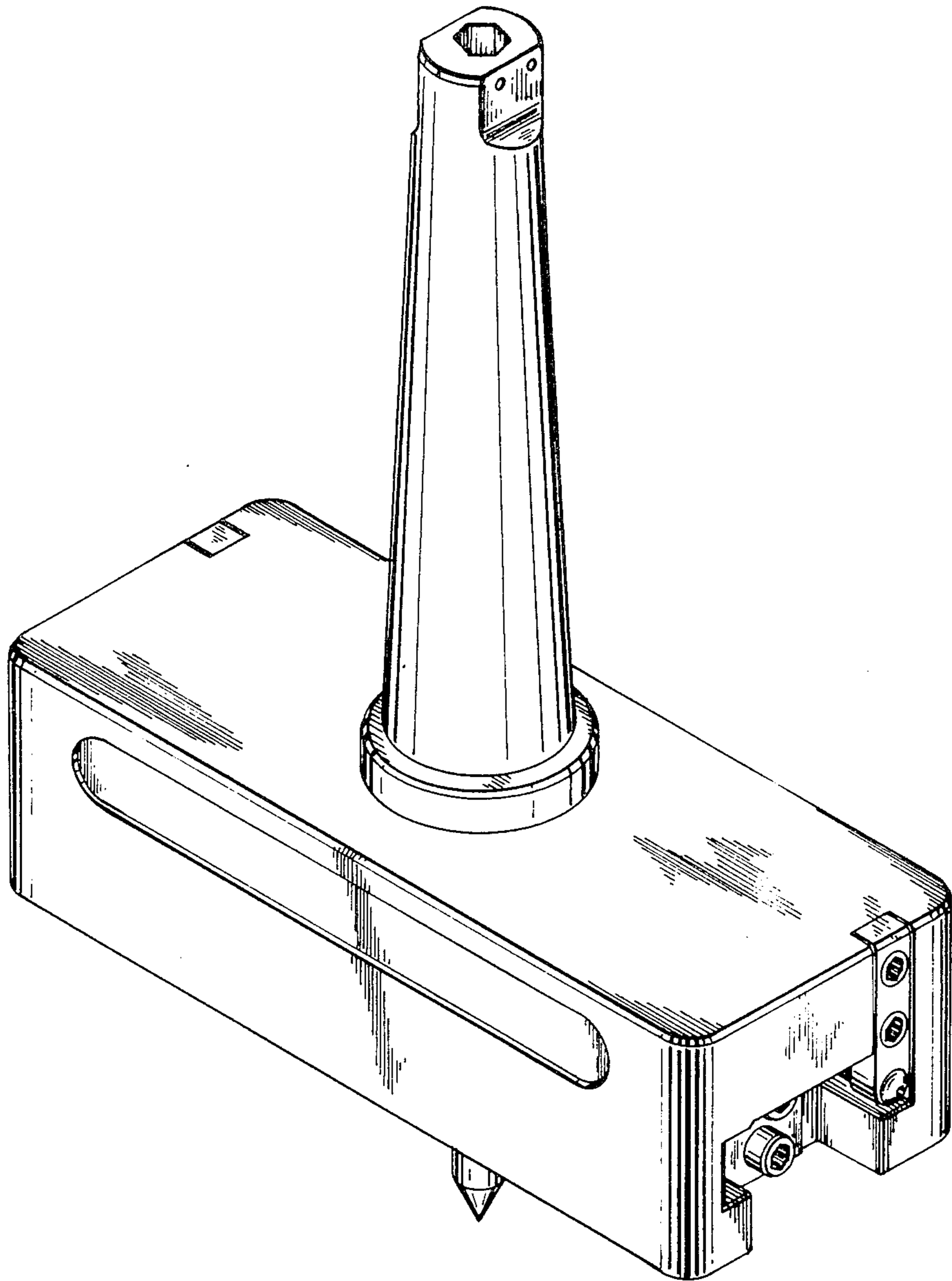


FIG-3