

[54] TOOTH FOR BUCKETS ON DIGGING AND LOADING MACHINES

[75] Inventor: Olay Nja, Kvernaland, Norway

[73] Assignee: Kverneland A/S, Kvernaland, Norway

[**] Term: 14 Years

[21] Appl. No.: 542,407

[22] Filed: Oct. 17, 1983

[30] Foreign Application Priority Data

Apr. 29, 1983 [NO] Norway 63992

[52] U.S. Cl. D15/29

[58] Field of Search D15/10, 11, 28, 29, D15/25; 37/141 R, 141 T, 142 R, 142 A

[56] References Cited

U.S. PATENT DOCUMENTS

- D. 183,500 9/1958 Smedley D15/29
- D. 275,681 9/1984 Nja D15/29
- 1,446,389 2/1923 McGrew 37/142 R

FOREIGN PATENT DOCUMENTS

- 2258303 6/1973 Fed. Rep. of Germany 37/142 R
- 0148834 11/1980 Japan 37/142 R

Primary Examiner—B. J. Bullock

Assistant Examiner—Suzanne N. Gitlin

Attorney, Agent, or Firm—Schwartz, Jeffery, Schwaab, Mack, Blumenthal & Evans

[57] CLAIM

The ornamental design for a tooth for buckets on digging and loading machines, substantially as shown.

DESCRIPTION

FIG. 1 is a perspective view of a tooth for buckets on digging and loading machines showing my new design; FIG. 2 is an end elevational view taken from the right of FIG. 1;

FIG. 3 is an end elevational view taken from the left of FIG. 1;

FIG. 4 is a top plan view thereof;

FIG. 5 is a side elevational view thereof;

FIG. 6 is a bottom plan view thereof.

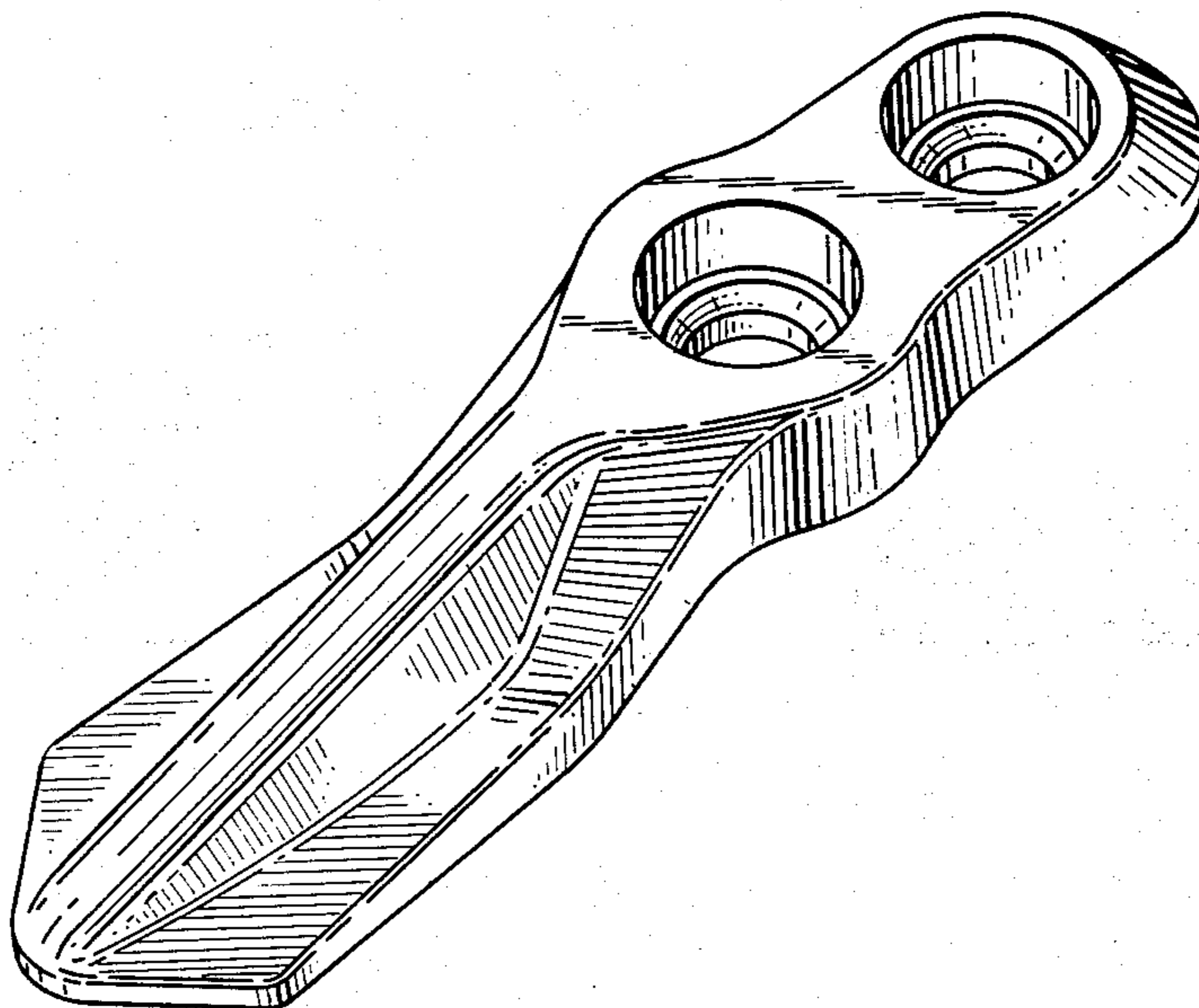


FIG. 1

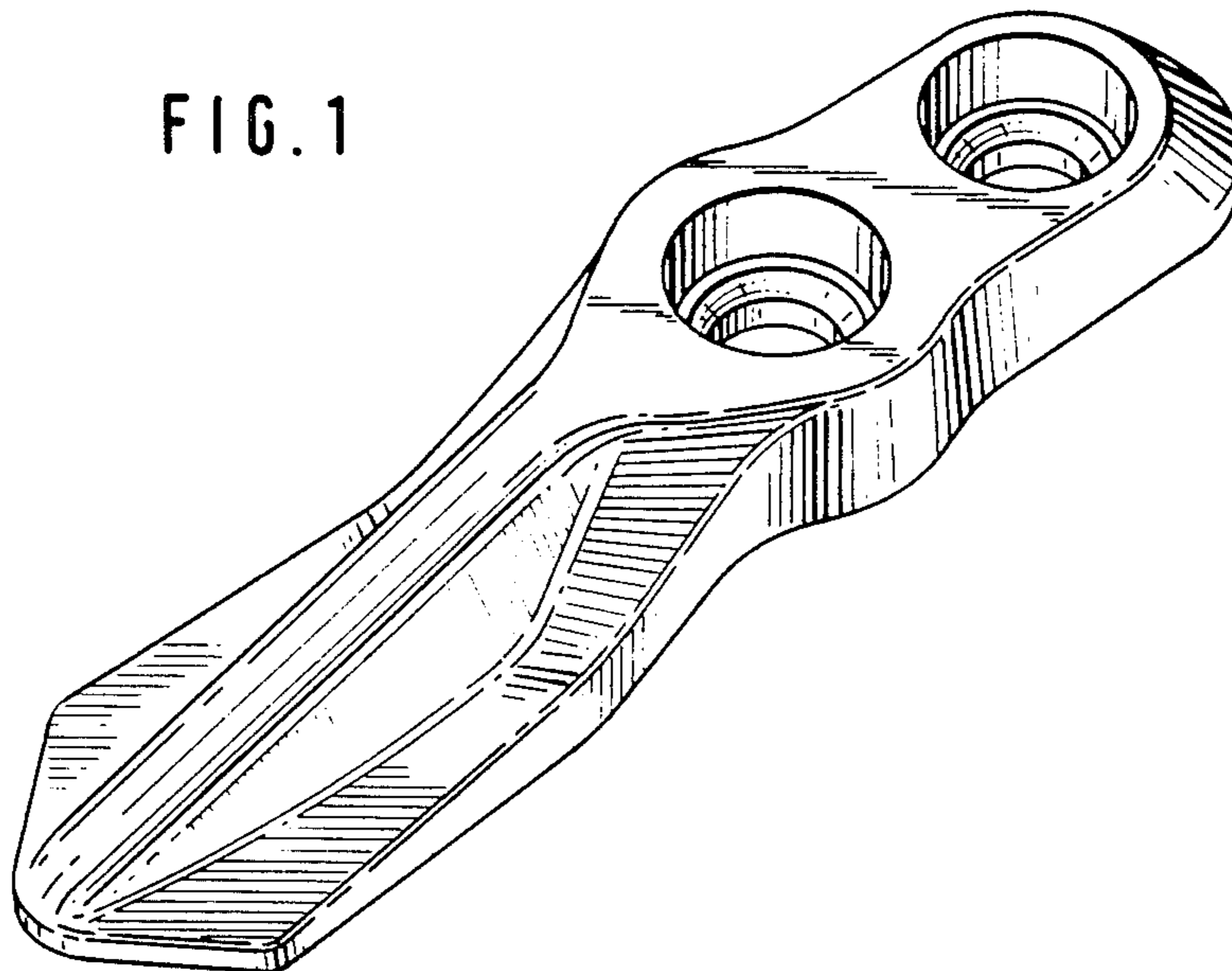


FIG. 2

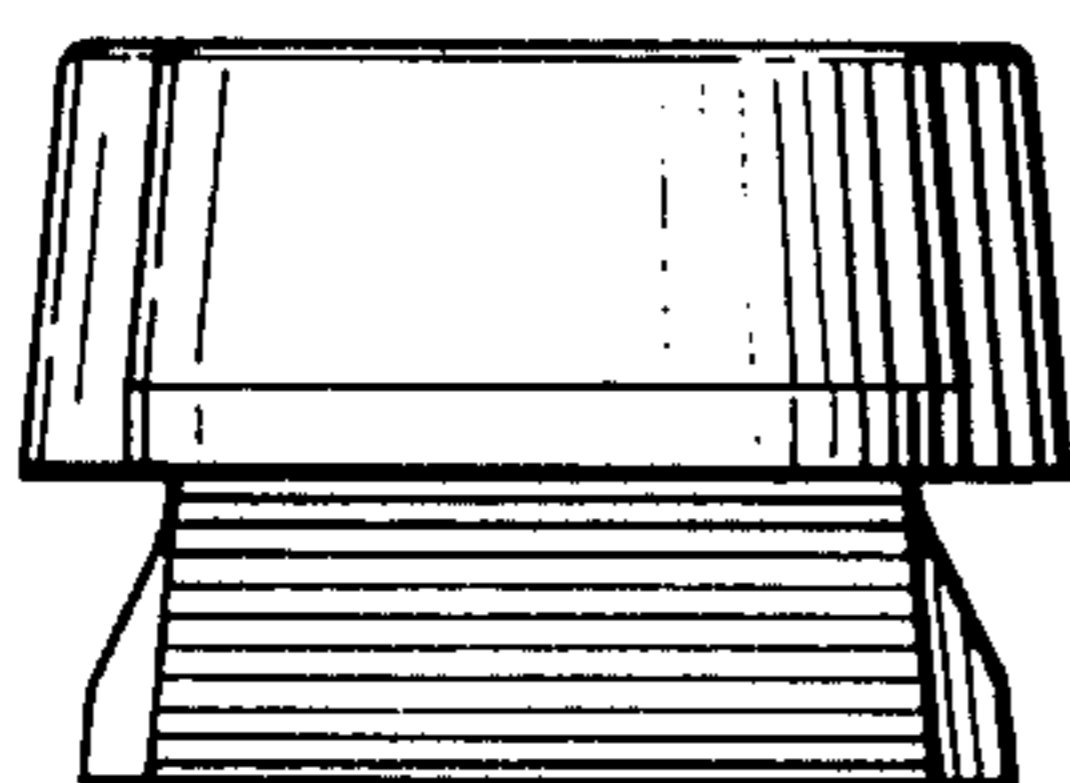


FIG. 3

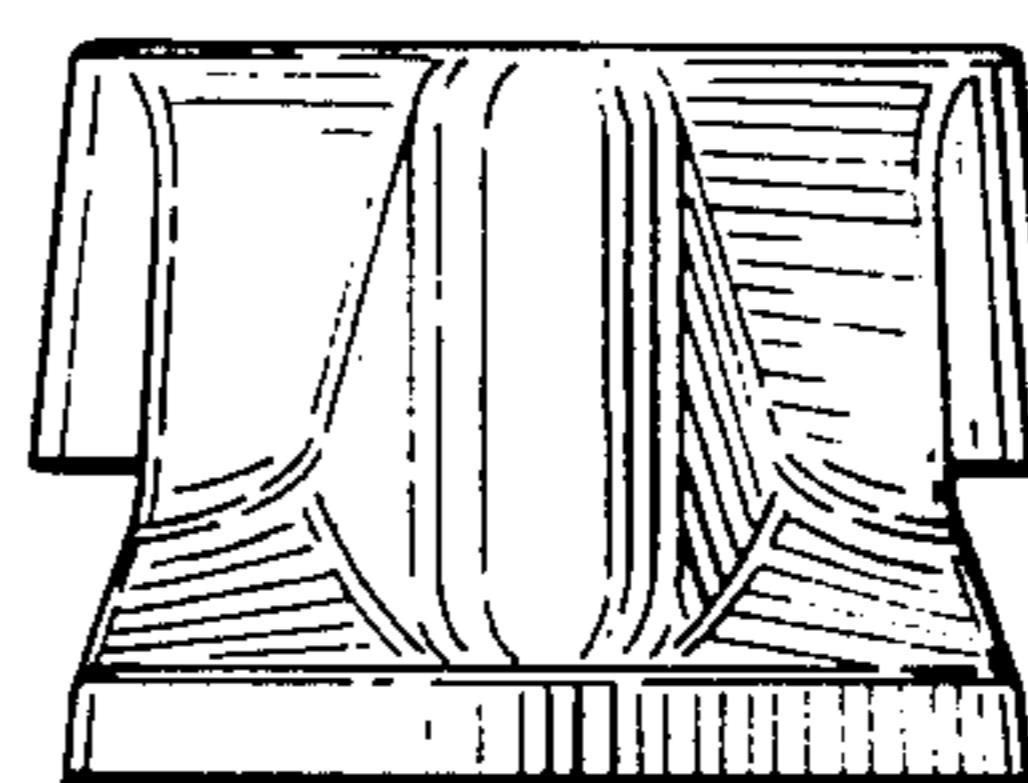


FIG. 4

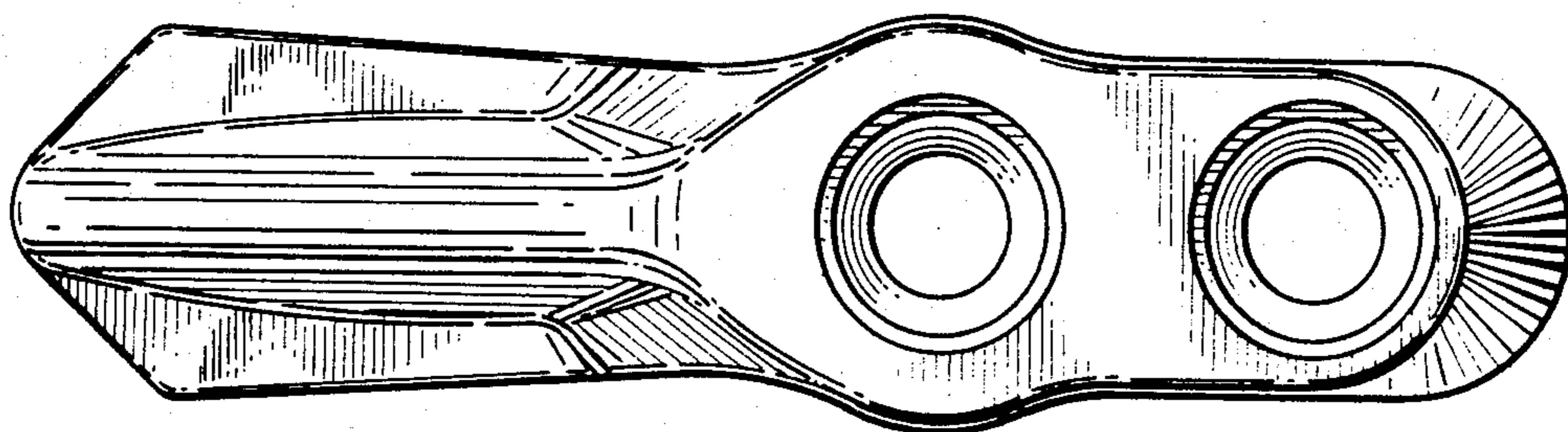


FIG. 5

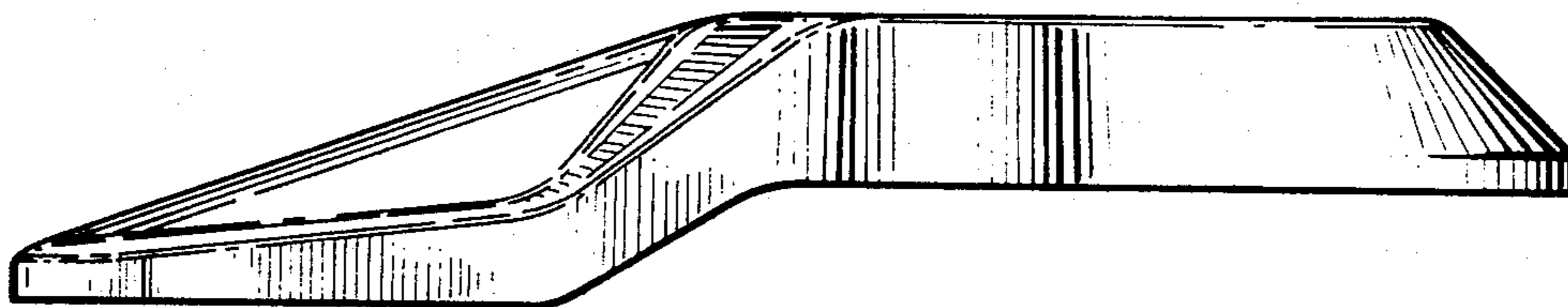
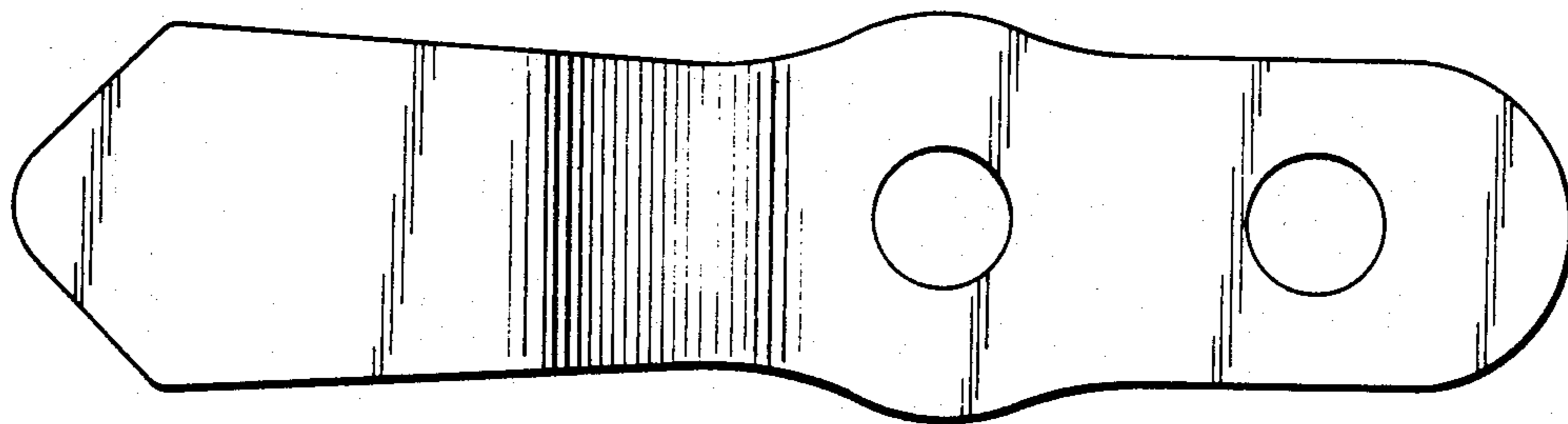


FIG. 6



UNITED STATES PATENT AND TRADEMARK OFFICE
CERTIFICATE OF CORRECTION

PATENT NO. : Des. 279,476

DATED : July 2, 1985

INVENTOR(S) : Olav NJA

It is certified that error appears in the above-identified patent and that said Letters Patent is hereby corrected as shown below:

On the title page Item ~~75~~ should read:
[75] Inventor: Olav Nja, Kvernaland, Norway

Signed and Sealed this
Seventeenth Day of December 1985

[SEAL]

Attest:

DONALD J. QUIGG

Attesting Officer

Commissioner of Patents and Trademarks