

United States Patent [19]

Eberhart et al.

[11] Patent Number: **Des. 279,466**

[45] Date of Patent: **** Jul. 2, 1985**

[54] BRAKE HOUSING

[75] Inventors: **Charles E. Eberhart; Karl P. Ettl,**
both of Arlington; **Brenton G. Lake,**
Dallas; **Jack D. Rainbolt,** Arlington,
all of Tex.

[73] Assignee: **NuDisc, Inc.,** Grand Prairie, Tex.

[**] Term: **14 Years**

[21] Appl. No.: **388,602**

[22] Filed: **Jun. 15, 1982**

[52] U.S. Cl. **D12/180**

[58] Field of Search **D12/180; 188/71.1, 71.4,**
188/73.31, 73.47

[56] References Cited

U.S. PATENT DOCUMENTS

3,980,159 9/1976 Baxendale 188/72.7

Primary Examiner—James M. Gandy

Attorney, Agent, or Firm—Richards, Harris, Medlock &
Andrews

[57] CLAIM

The ornamental design for a brake housing, as shown.

DESCRIPTION

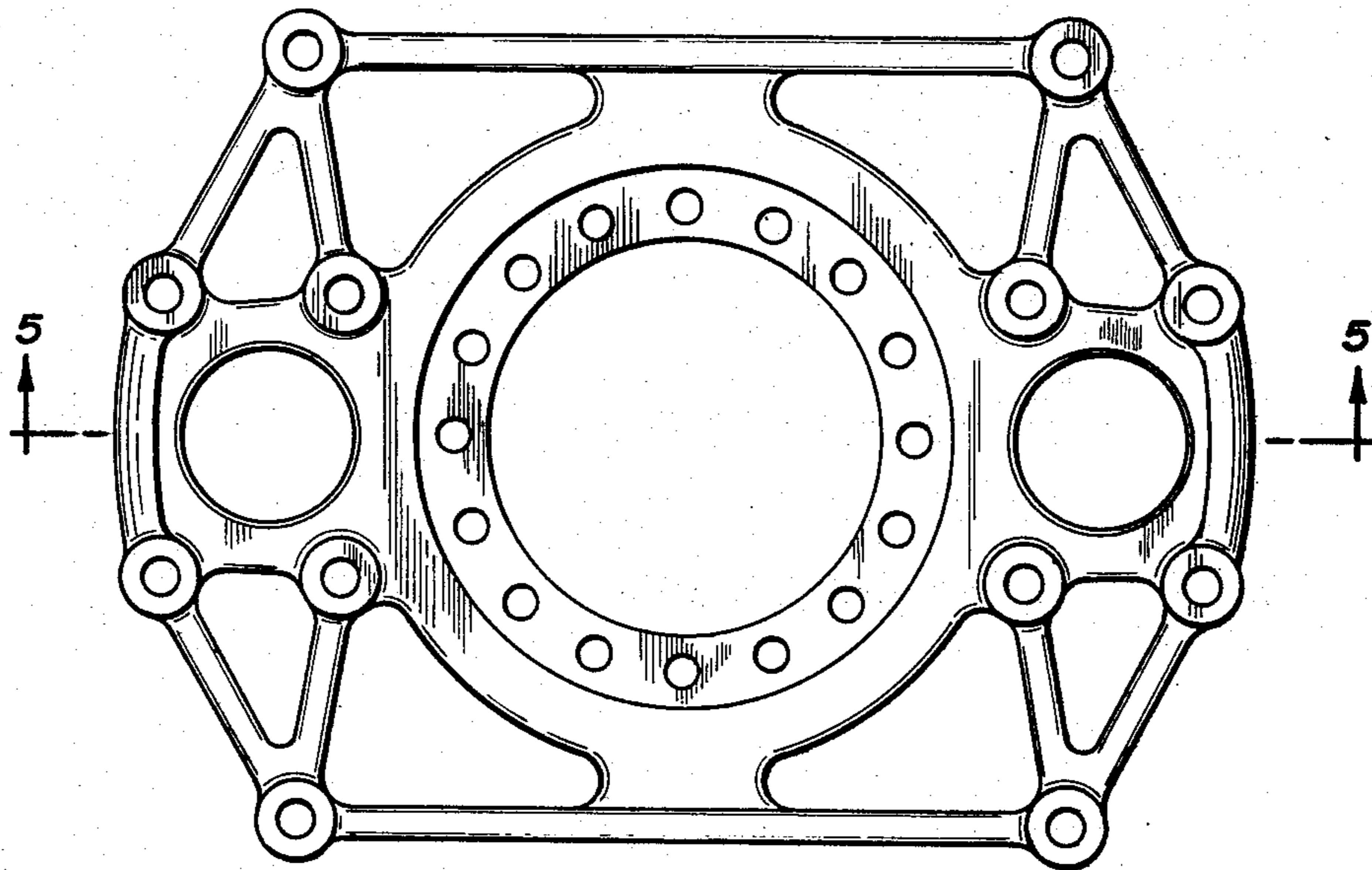
FIG. 1 is a top plan view of a brake housing showing
our new design;

FIG. 2 is a front elevation view thereof;

FIG. 3 is a rear elevation view thereof;

FIG. 4 is a side elevation view thereof; and

FIG. 5 is a sectional view thereof taken along line 5—5
of FIG. 2.



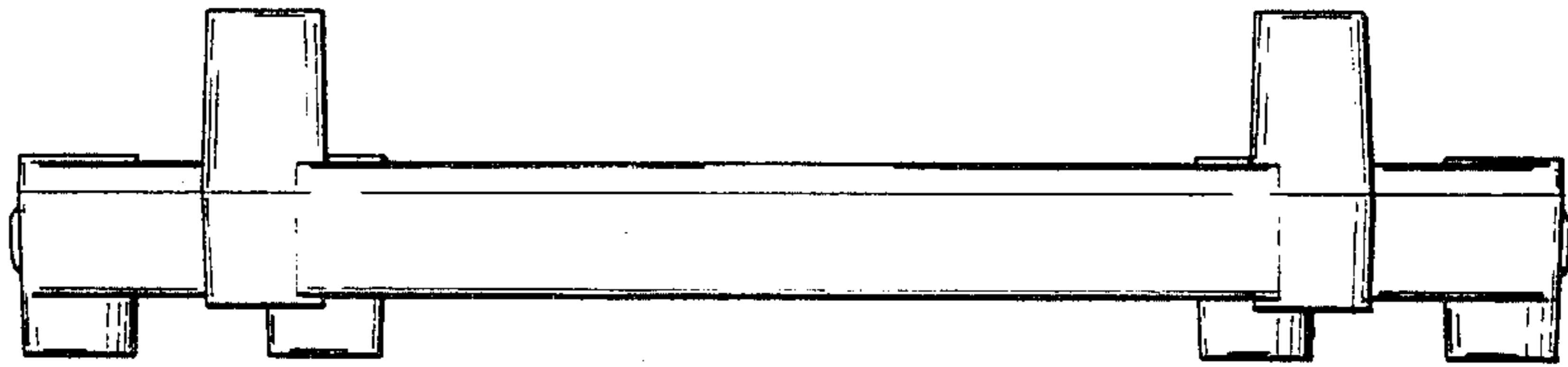


FIG. 1

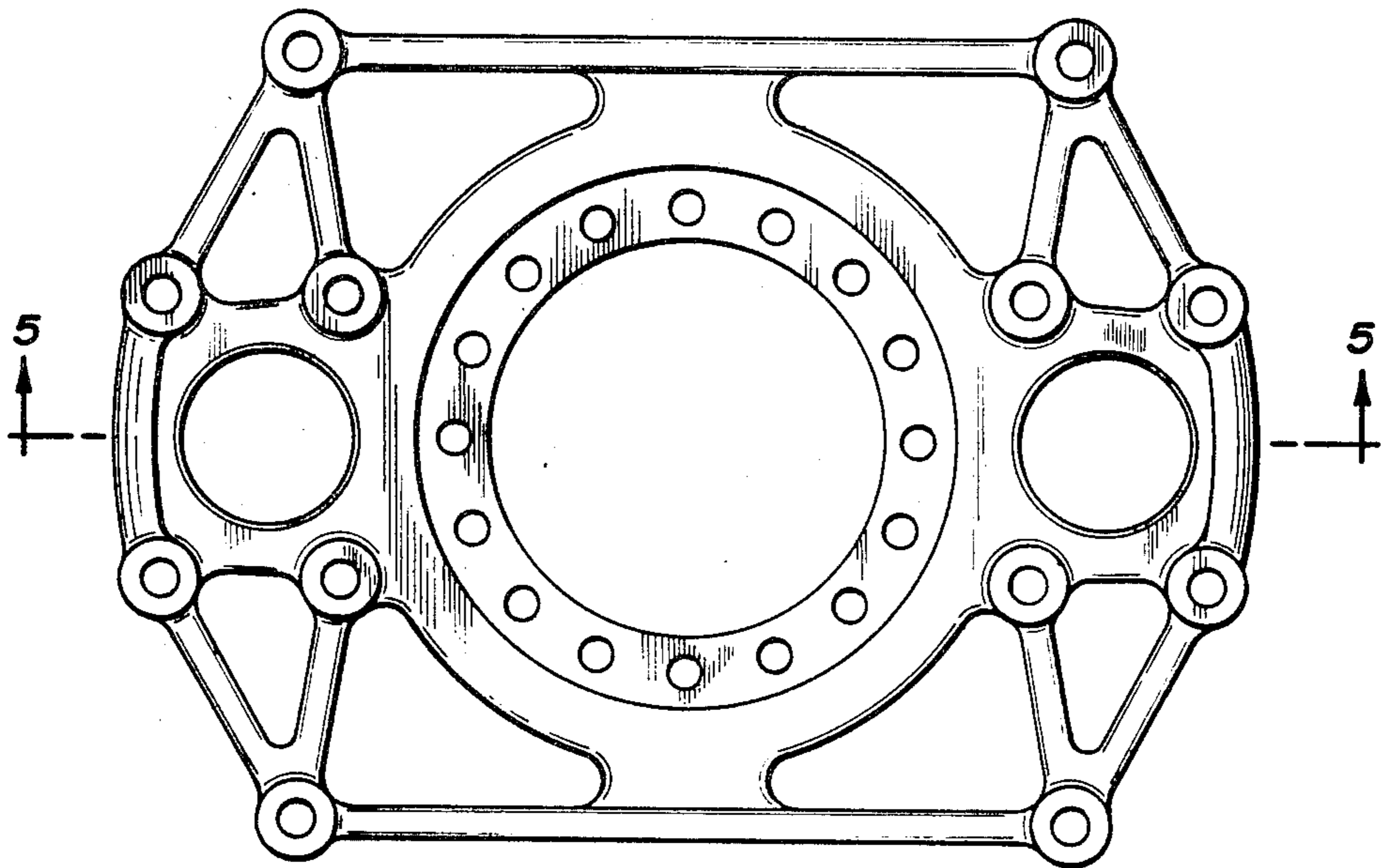


FIG. 2

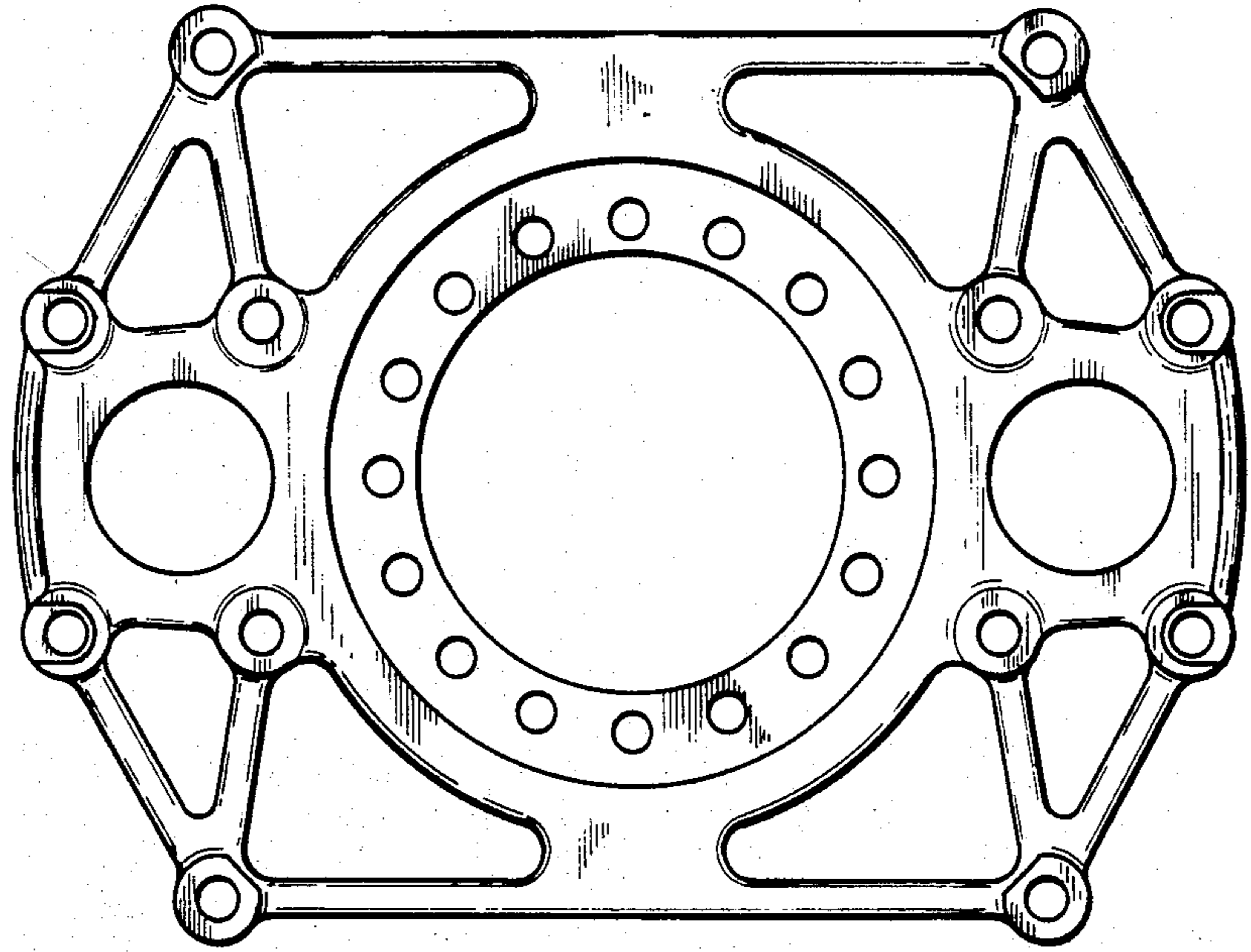


FIG. 3

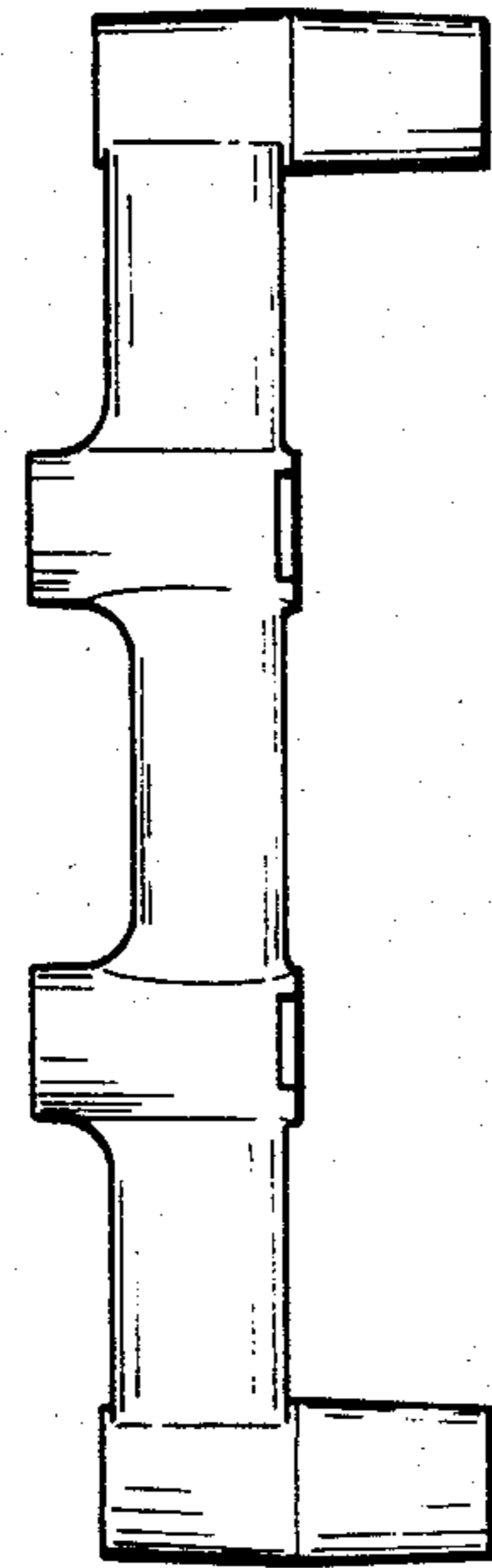


FIG. 4

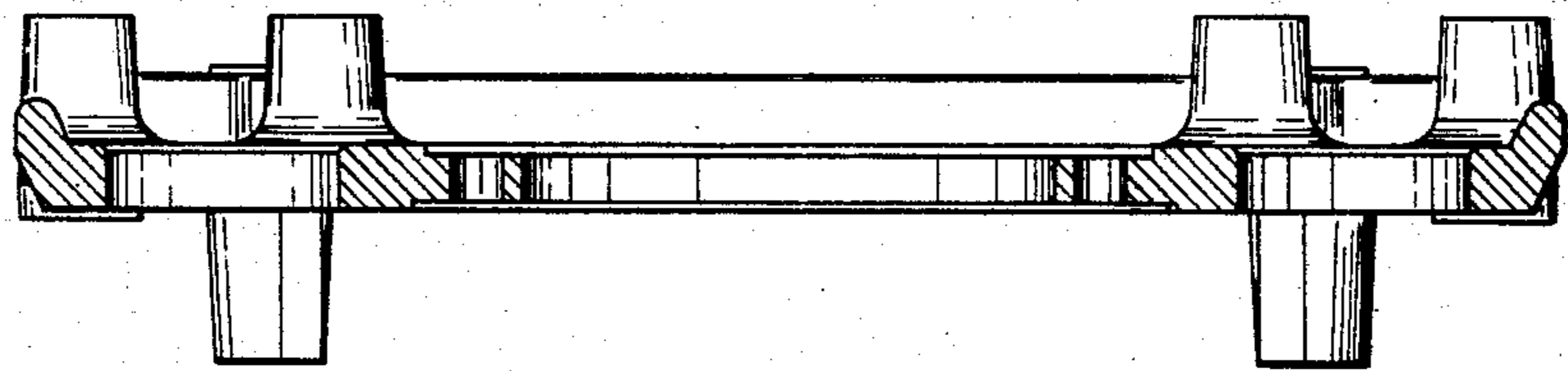


FIG. 5