

[54] TRICYCLE

[75] Inventor: Earl Kane, Norwalk, Conn.

[73] Assignee: Herman & Rosner Enterprises, Inc.,  
New York, N.Y.

[\*\*] Term: 14 Years

[21] Appl. No.: 452,184

[22] Filed: Dec. 22, 1982

[52] U.S. Cl. .... D12/112

[58] Field of Search ..... D12/112; D21/80;  
280/282, 281 LP, 259

[56] References Cited

U.S. PATENT DOCUMENTS

- D. 132,931 6/1942 Rideout ..... D12/178
- D. 216,209 12/1969 Campbell ..... D12/112

OTHER PUBLICATIONS

Sears 1971 Christmas Catalog, p. 134, The Big Rig Steering Wheel, top right side of page.  
Sears 1981 Christmas Catalog, p. 593, Spin Rider 16, 6, second cycle down from top left side of page.

Primary Examiner—James M. Gandy  
Attorney, Agent, or Firm—Blum, Kaplan, Friedman, Silberman & Beran

[57] CLAIM

The ornamental design for a tricycle, as shown.

DESCRIPTION

FIG. 1 is a top plan view of the tricycle in accordance with my design;  
FIG. 2 is a left side elevational view thereof;  
FIG. 3 is a front elevational view thereof;  
FIG. 4 is a right side elevational view thereof;  
FIG. 5 is a rear elevational view thereof; and  
FIG. 6 is a bottom plan view thereof.

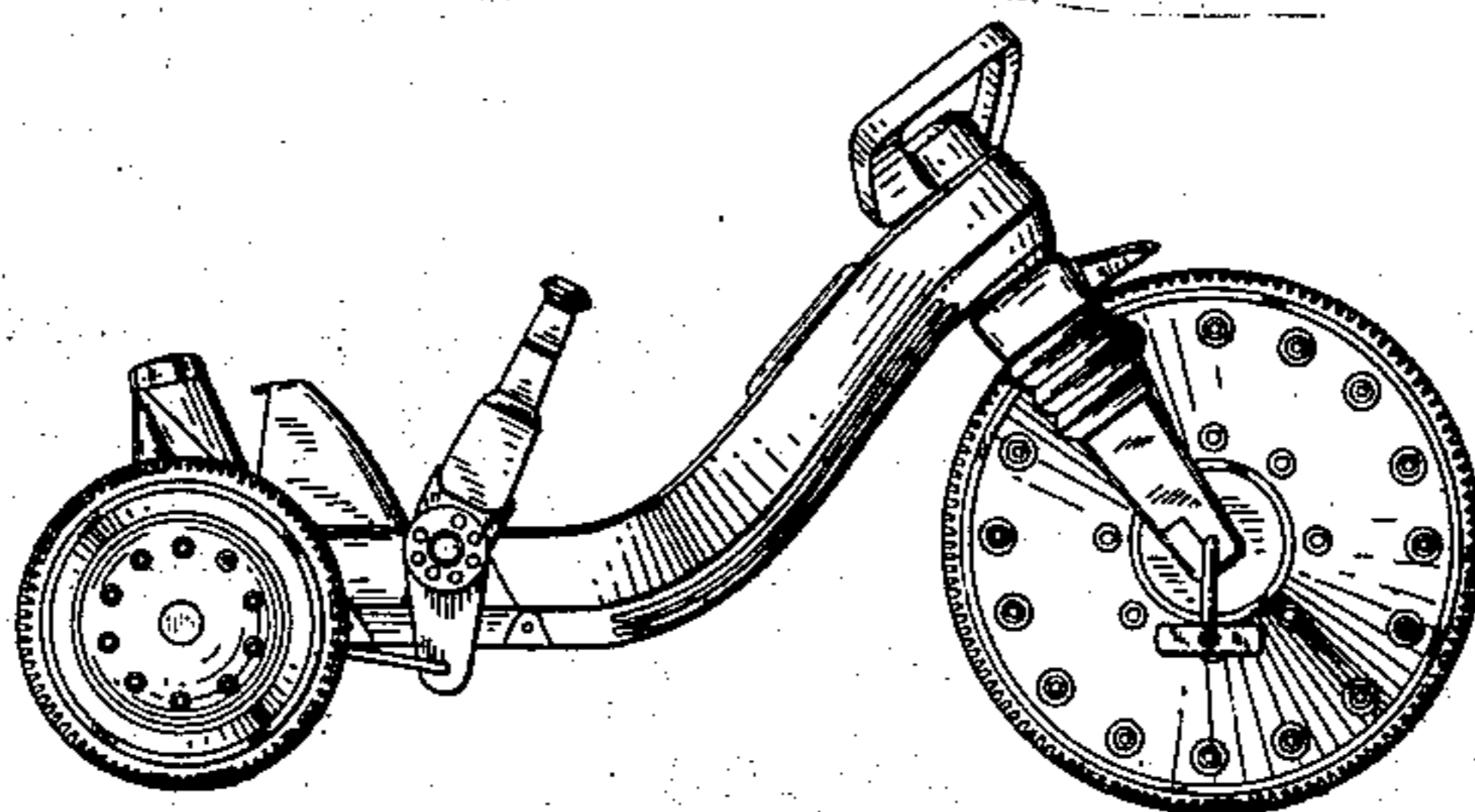
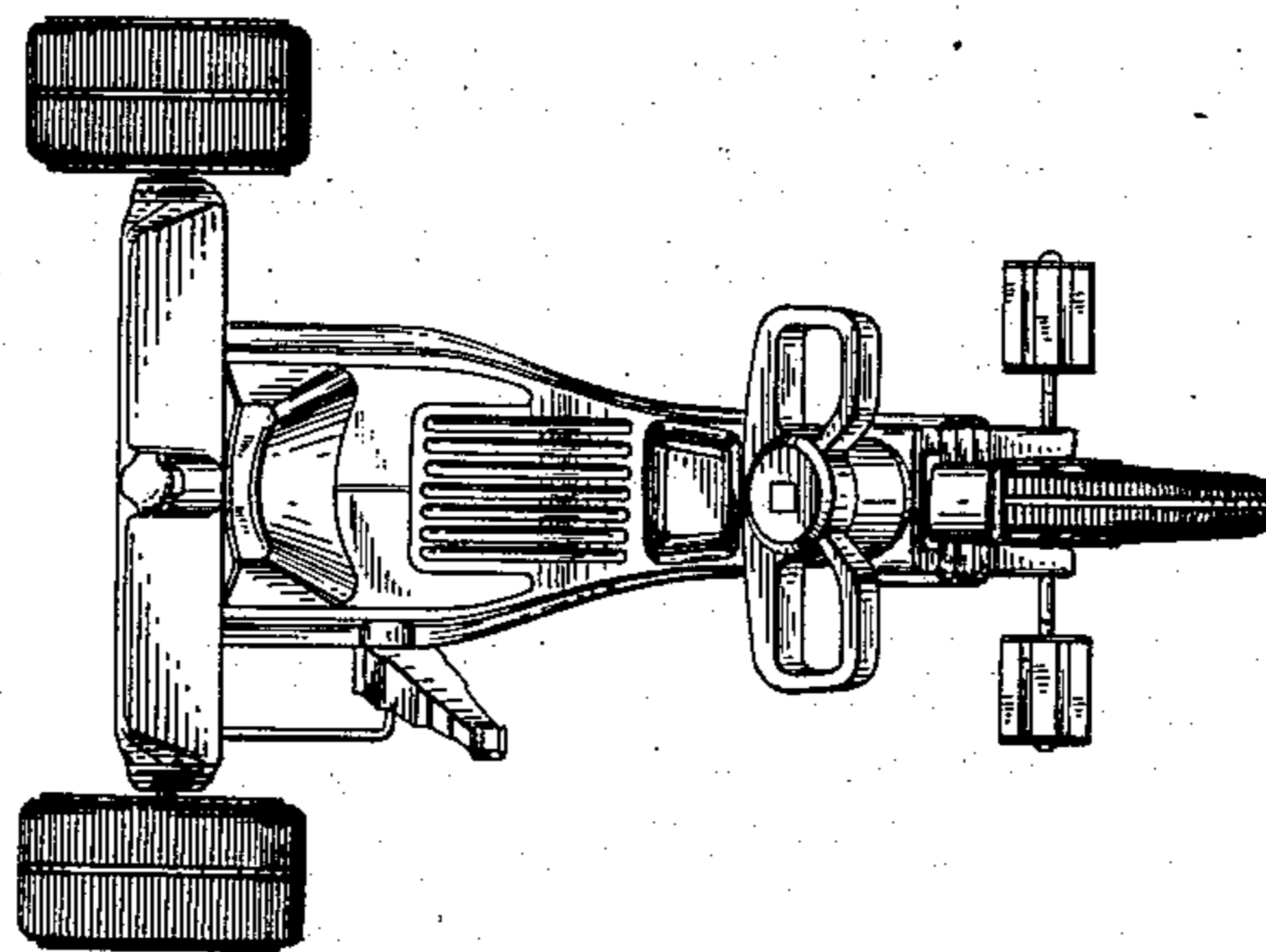


FIG. 1

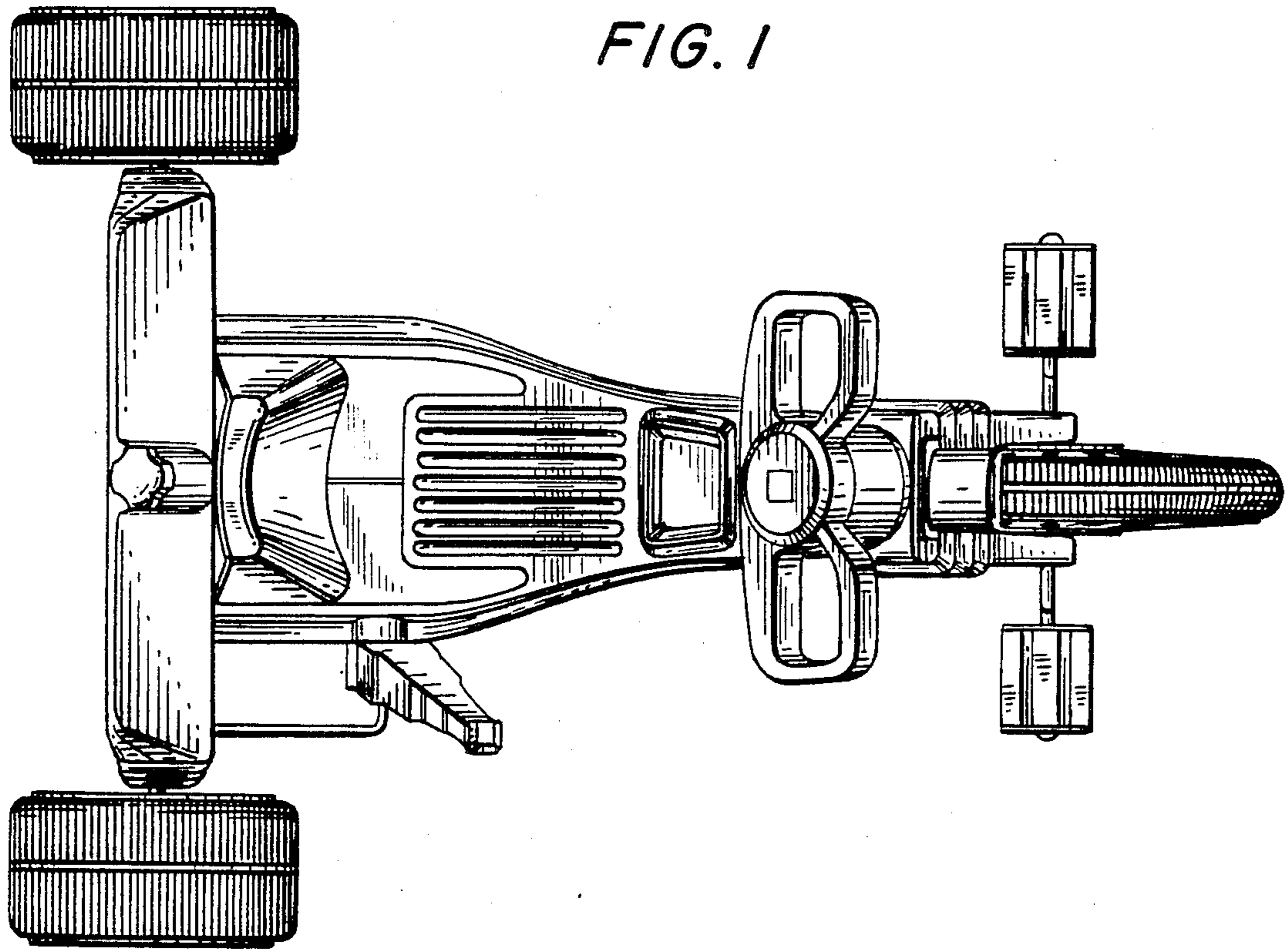


FIG. 2

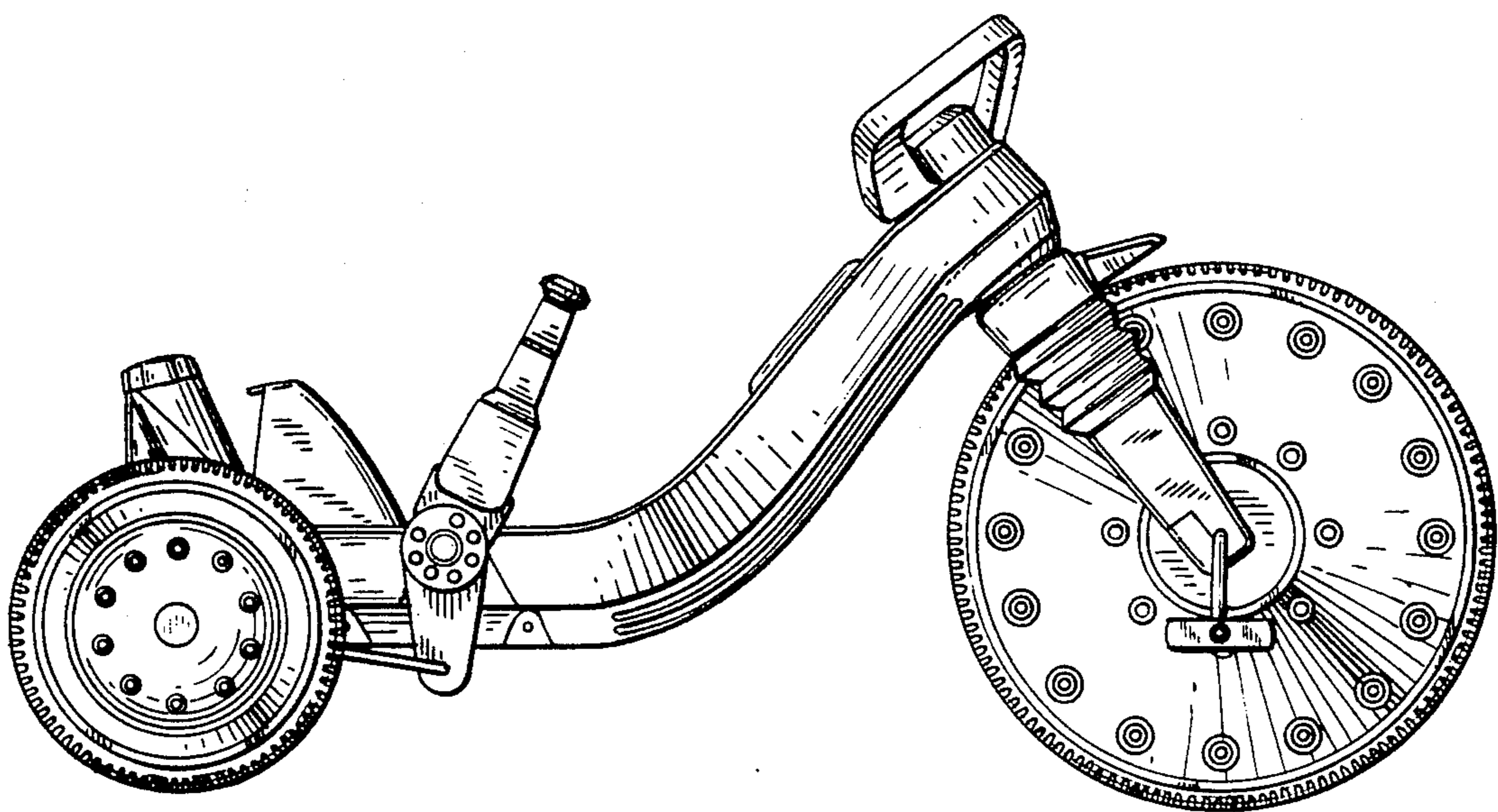


FIG. 3

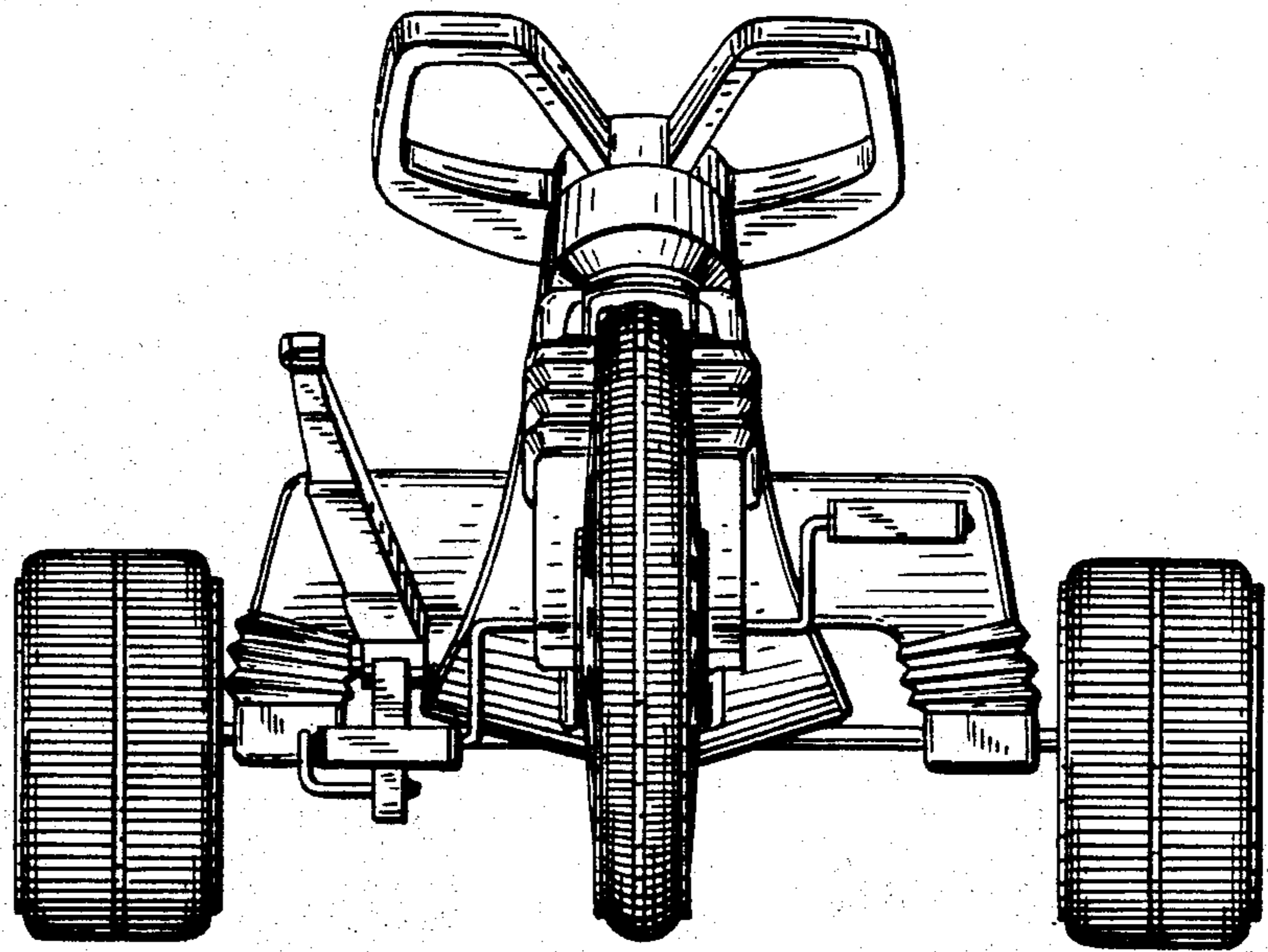


FIG. 4

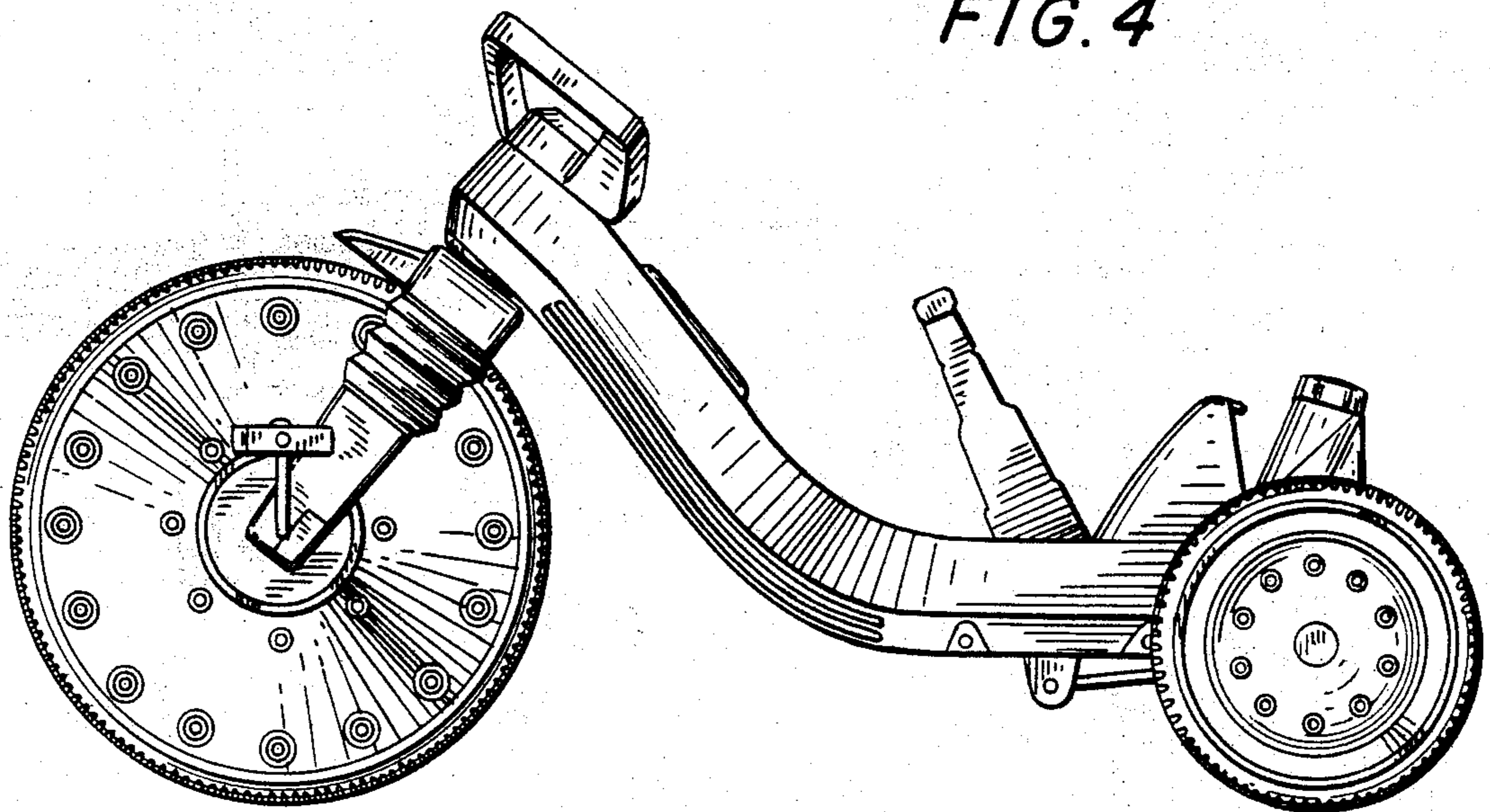


FIG. 5

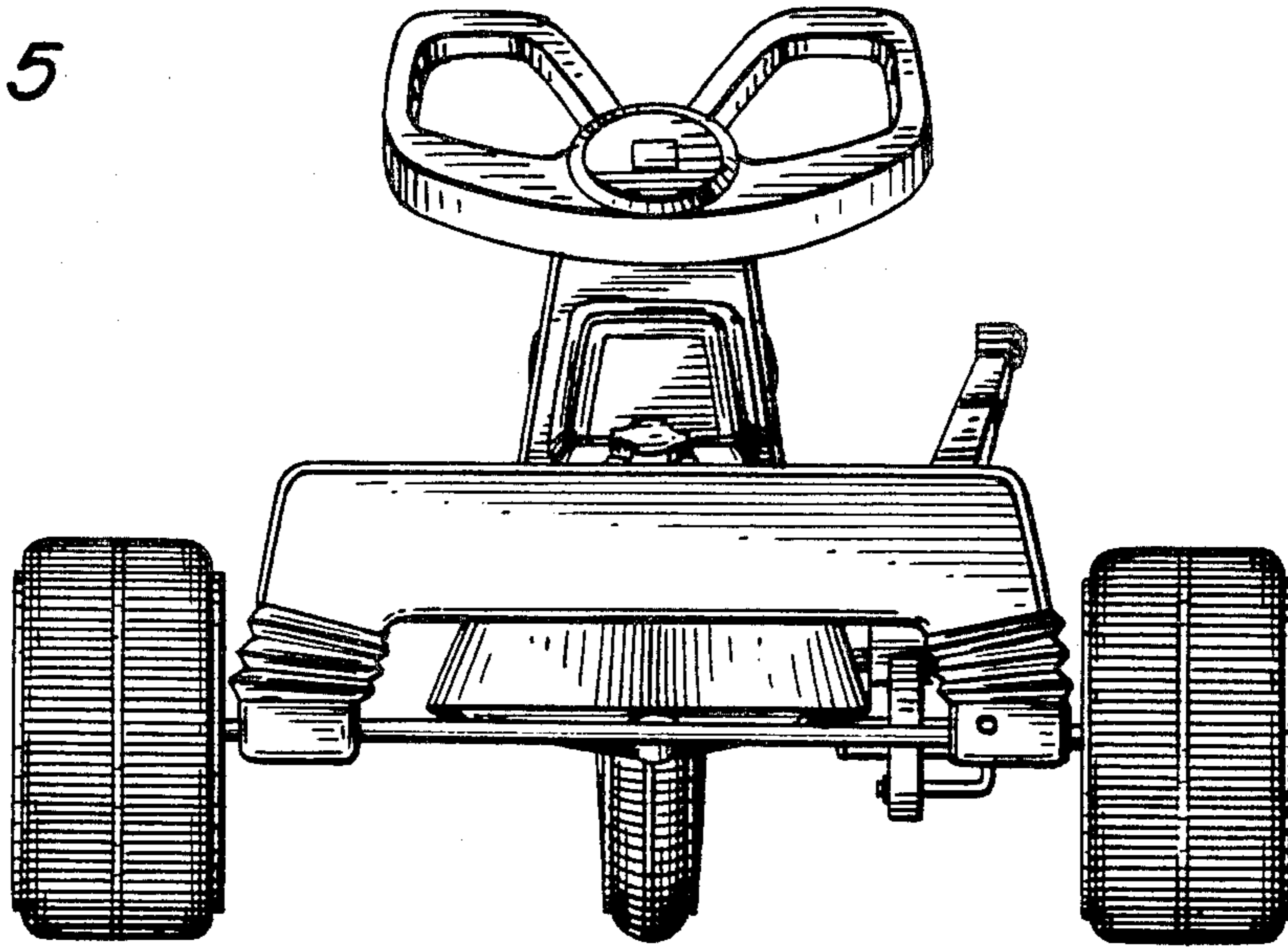


FIG. 6

