

[54] CONNECTOR FOR SIGN PANELS

[76] Inventor: Paul Alton Finger, Jr., 724 N. Church St. P.O. Box 1662, Salisbury, N.C. 28144

[\*\*] Term: 14 Years

[21] Appl. No.: 227,699

[22] Filed: Jan. 23, 1981

[52] U.S. Cl. .... D8/354; D20/10; D20/43

[58] Field of Search ..... 248/345.1; 312/263; 108/156; D8/361, 354, 373, 380, 381, 382, 394; D21/108; 46/23, 31; 40/591, 592, 605, 611; D20/10, 43

[56] References Cited

U.S. PATENT DOCUMENTS

2,710,781	6/1955	Haynes Sr. ....	108/156
3,174,815	3/1965	Drew et al. ....	312/263
3,446,345	5/1969	Frosoy ....	248/345.1 X
3,998,509	12/1976	Hauser ....	312/263

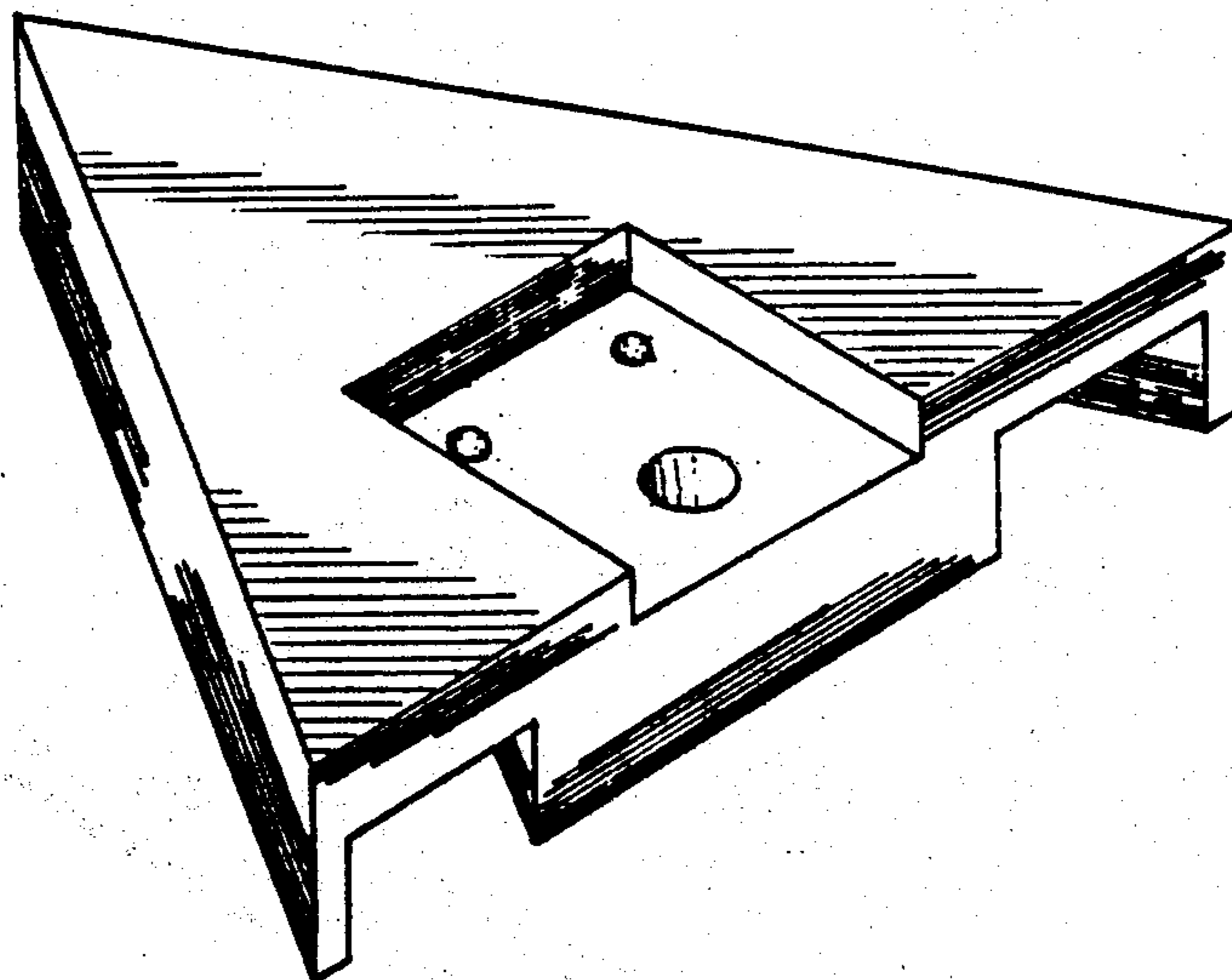
Primary Examiner—Catherine E. Kemper

[57] CLAIM

The ornamental design for a connector for sign panels, as shown.

DESCRIPTION

FIG. 1 is a top perspective view of a connector for sign panels, showing my new design; FIG. 2 is a bottom perspective view thereof.



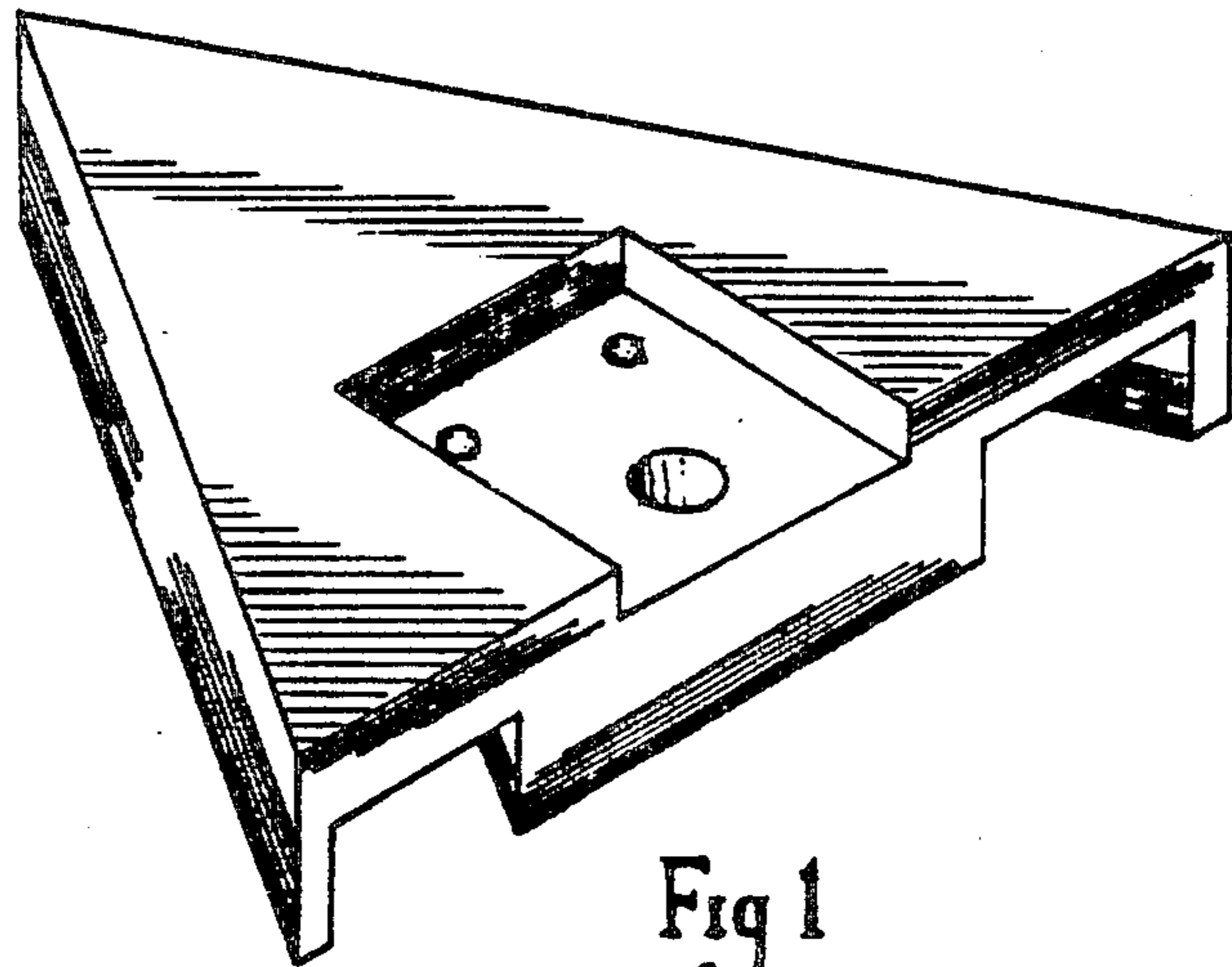


Fig 1

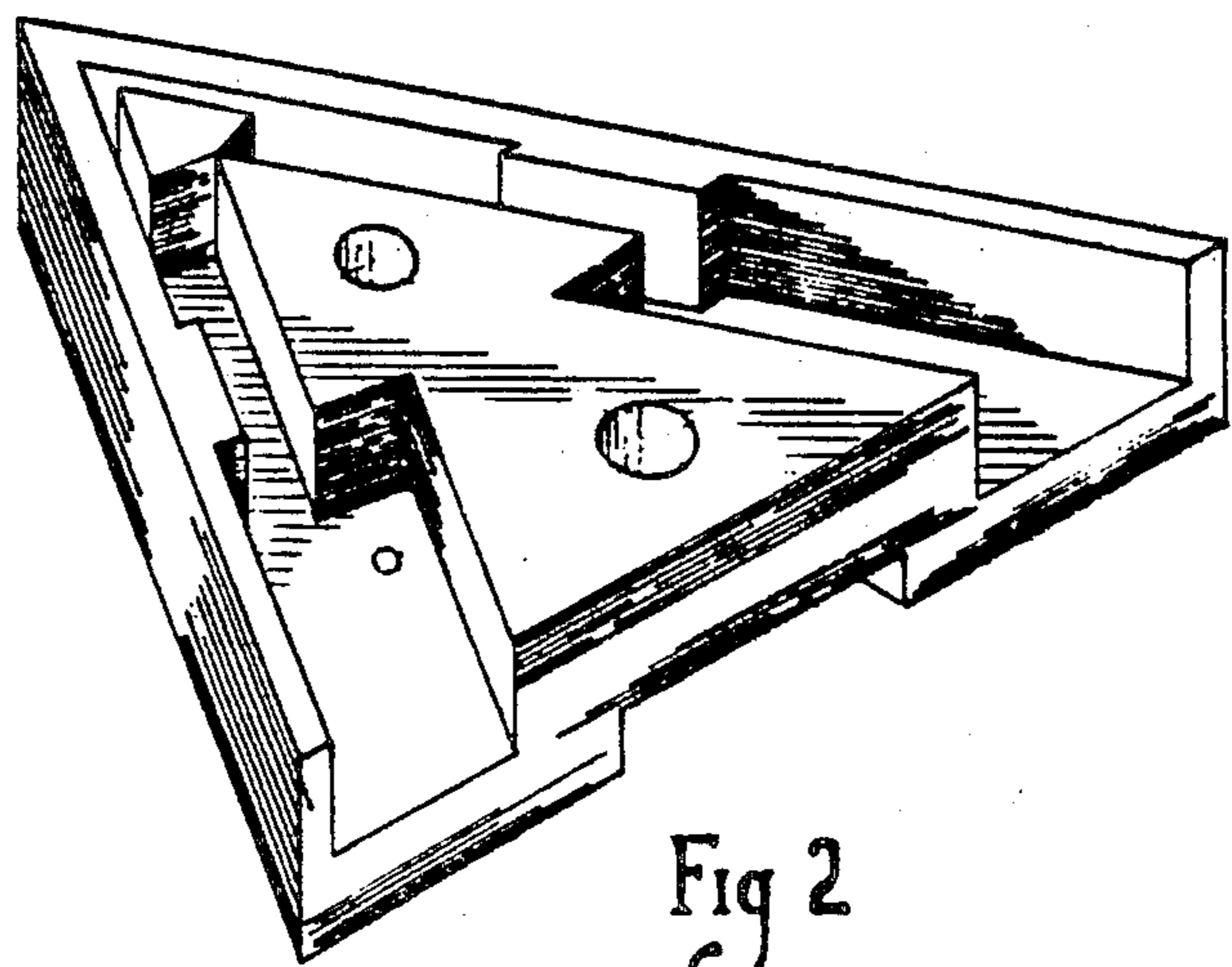


Fig 2