

[54] COMBINED TOP AND SUPPORT UNIT FOR A TABLE

[76] Inventor: John E. McDonald, 1548 Oak Grove Dr., Los Angeles, Calif. 90041

[**] Term: 14 Years

[21] Appl. No.: 503,761

[22] Filed: Jun. 13, 1983

[52] U.S. Cl. D6/511; D6/469; D6/478; D6/486

[58] Field of Search D6/396, 417, 469, 478, D6/479, 480, 486, 511; D7/2, 4, 27

[56] References Cited

U.S. PATENT DOCUMENTS

- D. 89,946 5/1933 Brown D6/487
- D. 134,391 11/1942 Waltman D6/486 X
- D. 216,713 3/1970 Buchwach D6/469 X
- D. 233,277 10/1974 Beller D6/486

- D. 234,381 2/1975 Berger D6/469
- D. 258,327 2/1981 Friedman D6/486 X

Primary Examiner—Bruce W. Dunkins
Attorney, Agent, or Firm—Allan M. Shapiro

[57] CLAIM

The ornamental design for a combined top and support unit for a table, substantially as shown and described.

DESCRIPTION

FIG. 1 is a perspective view of a combined top and support unit for a table, showing my new design;
 FIG. 2 is a top plan view thereof;
 FIG. 3 is a bottom plan view thereof; and
 FIG. 4 is a side elevational view thereof;
 FIG. 5 is a perspective view of a second embodiment of the design of FIG. 1;
 FIG. 6 is a top plan view of FIG. 5;
 FIG. 7 is a bottom plan view of FIG. 5; and
 FIG. 8 is a side elevational view of FIG. 5.

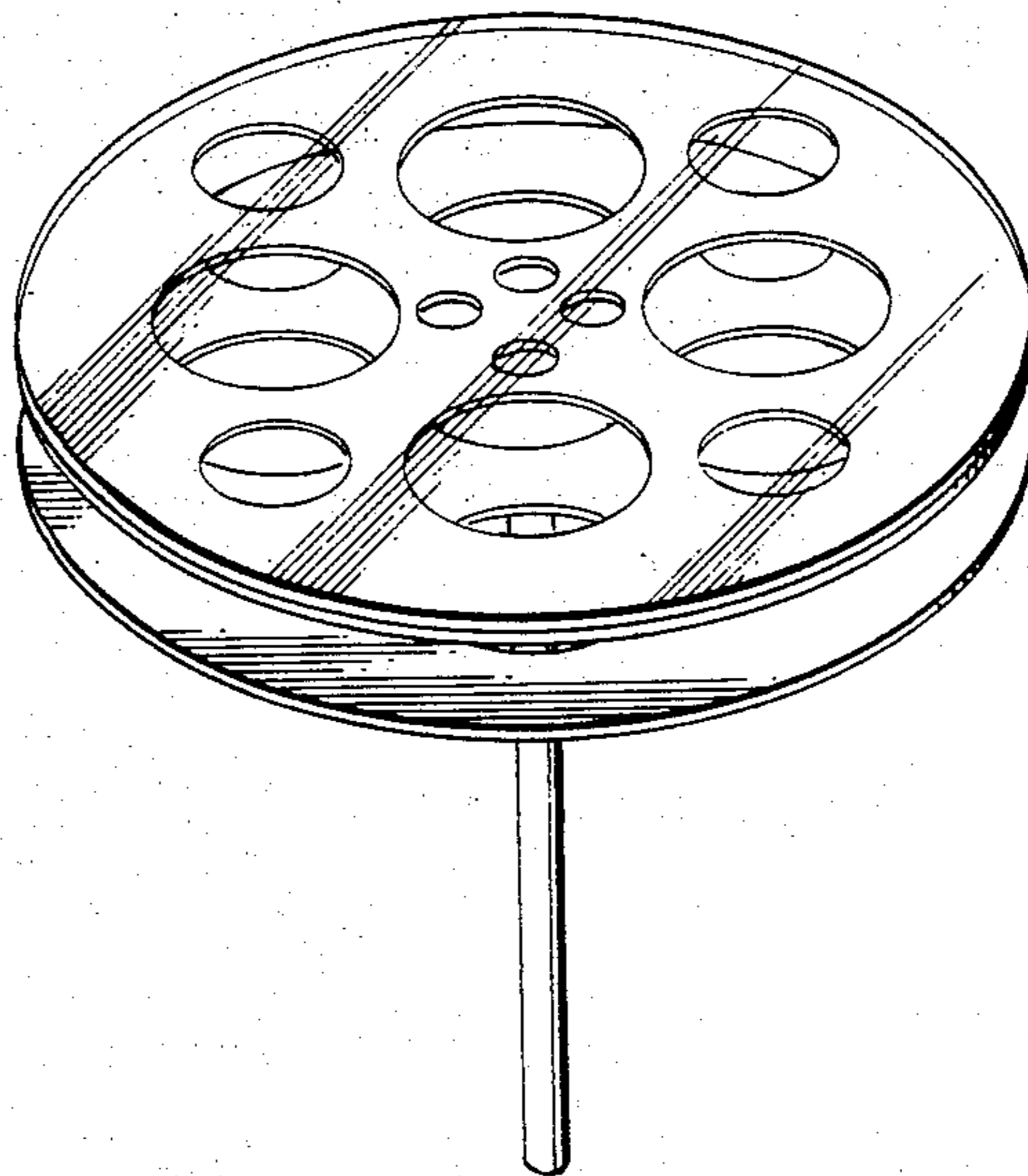


FIG. 1

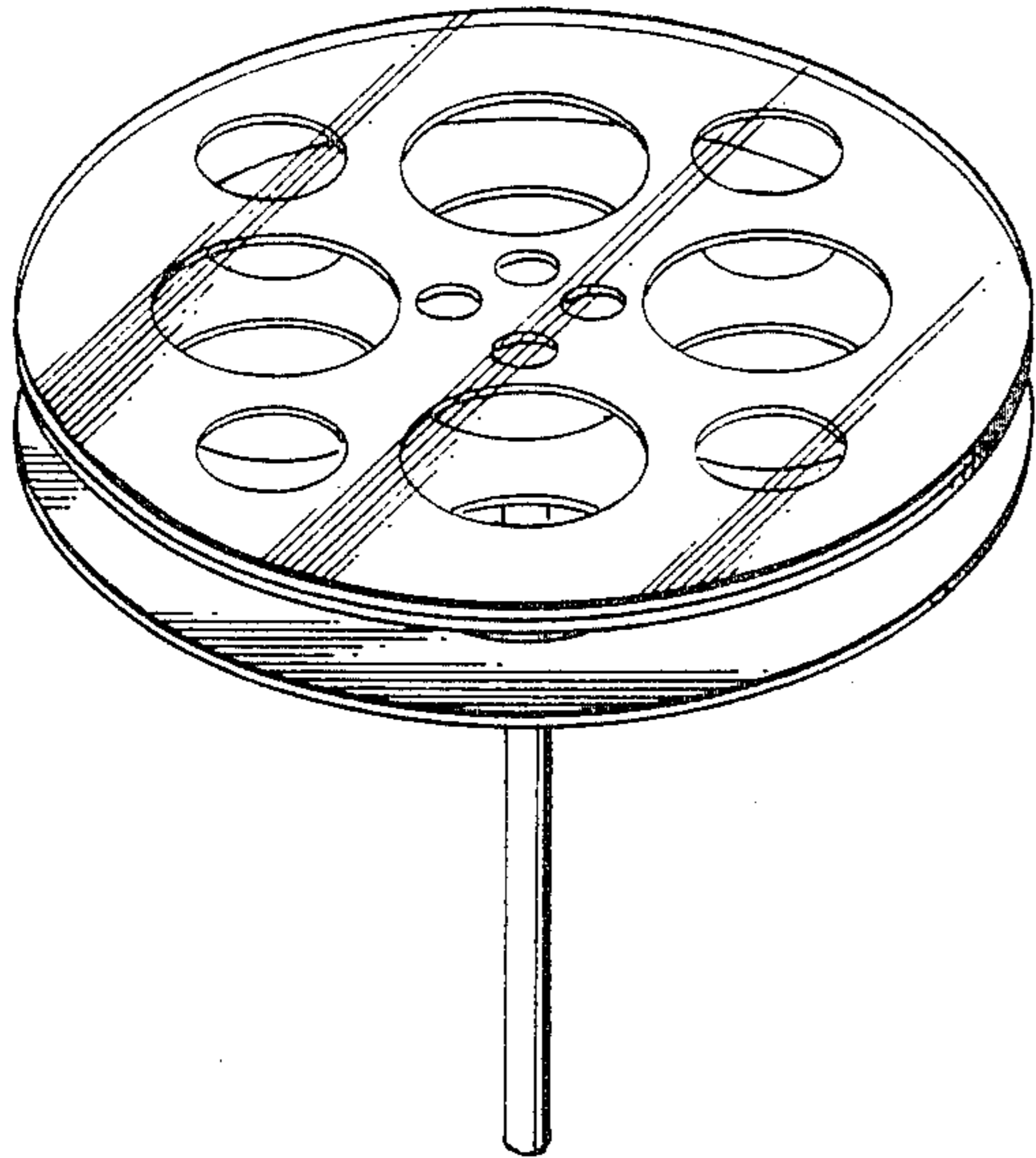


FIG. 2

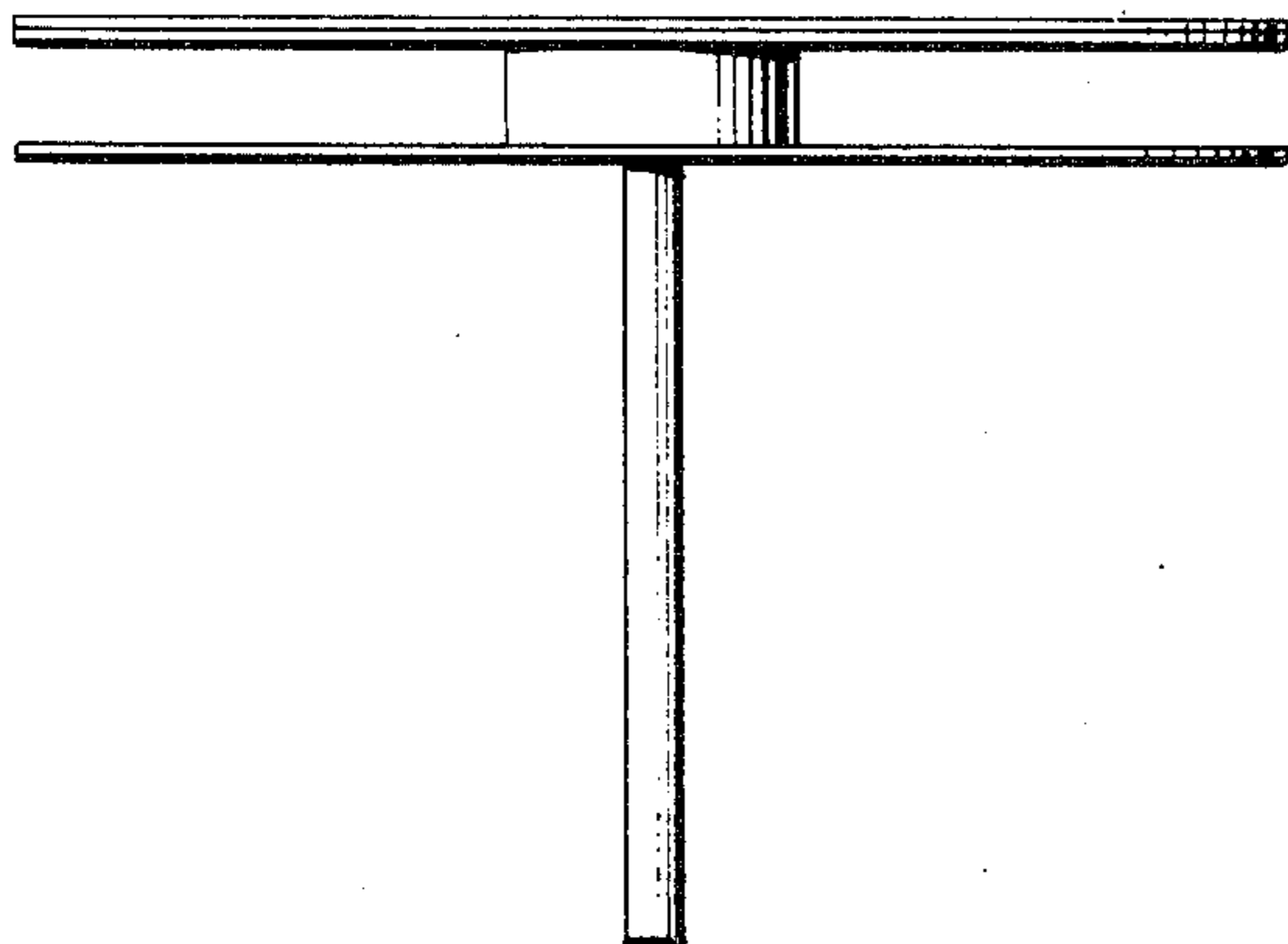
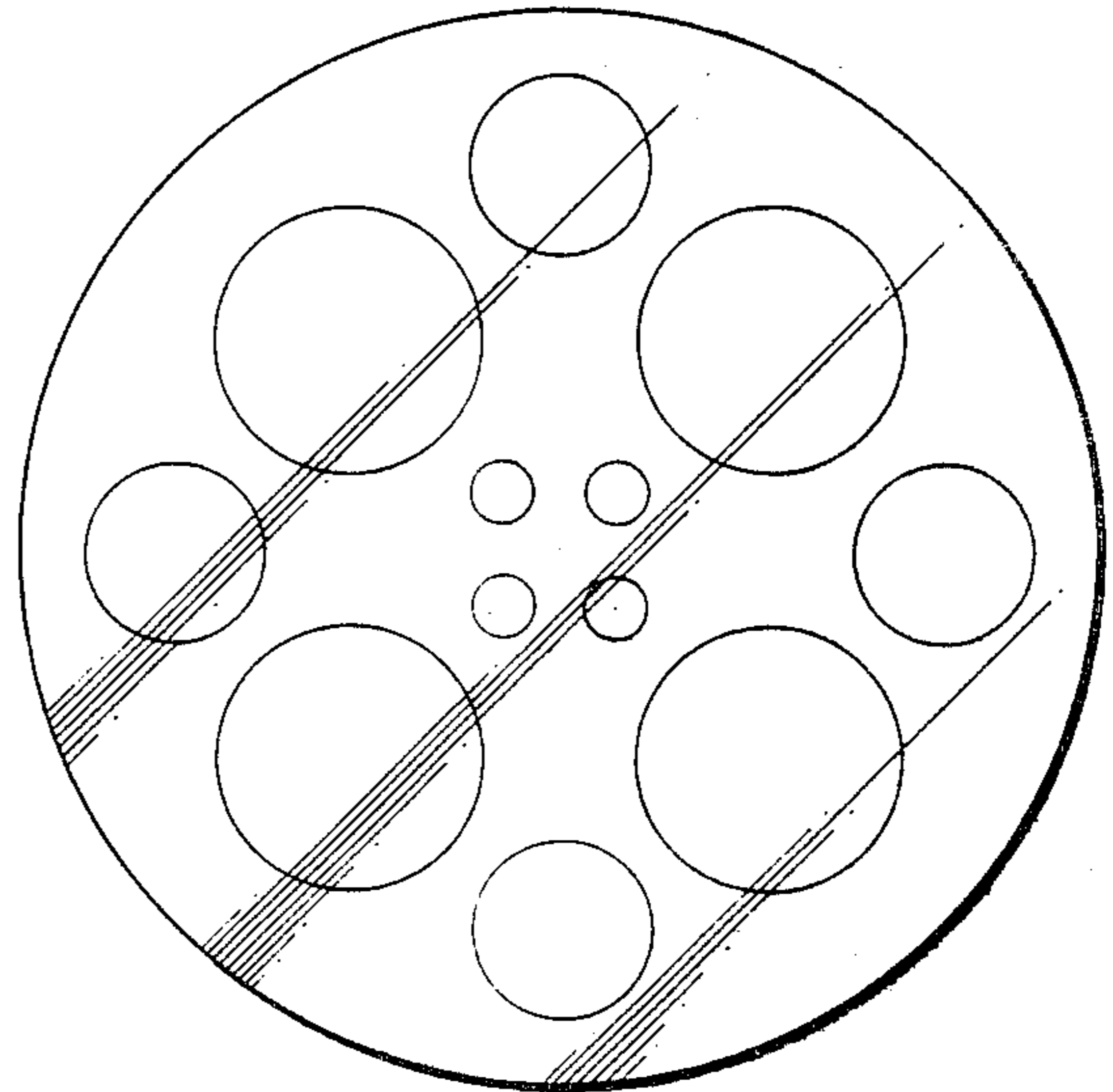


FIG. 3

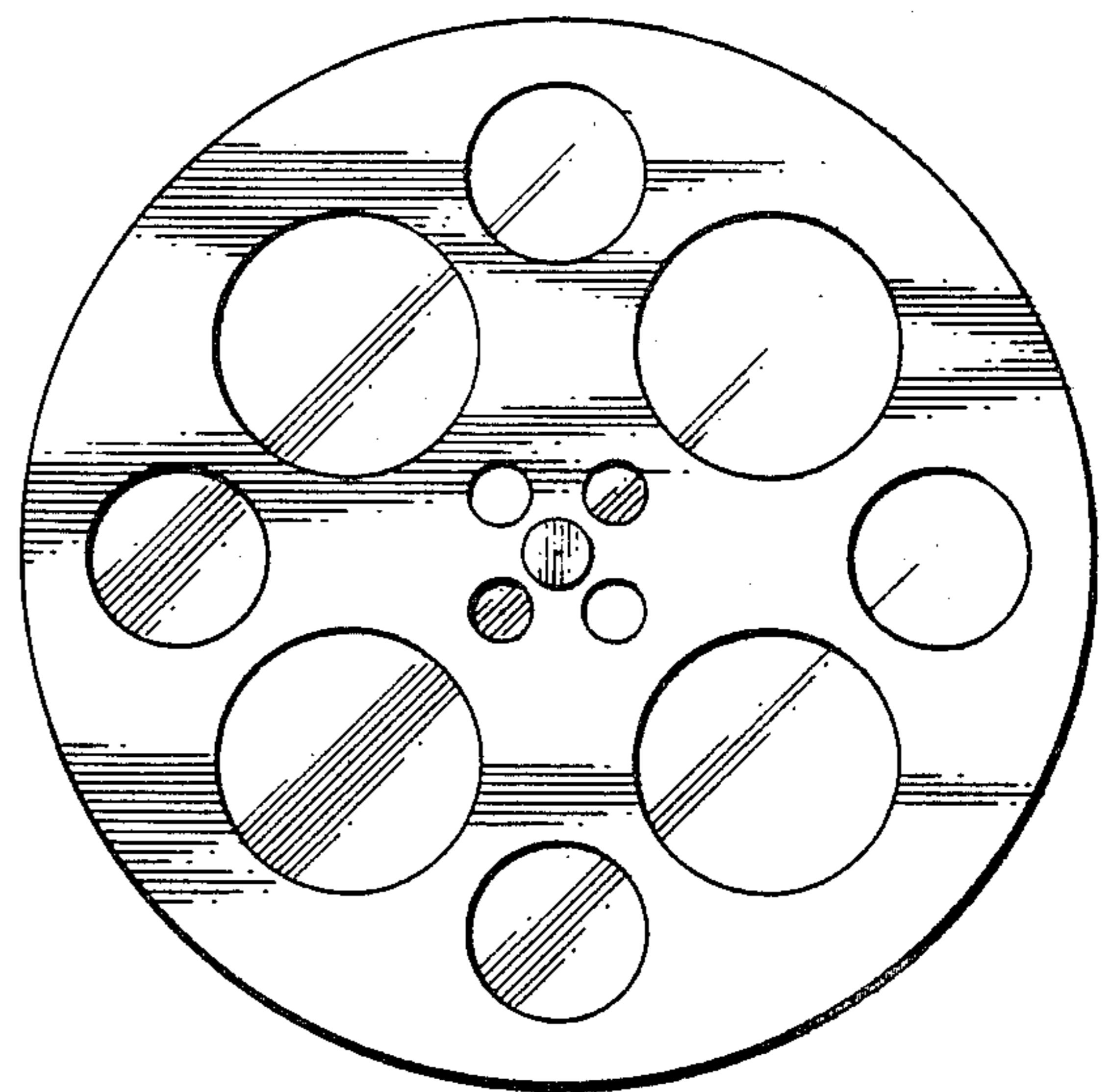


FIG. 4

FIG. 5

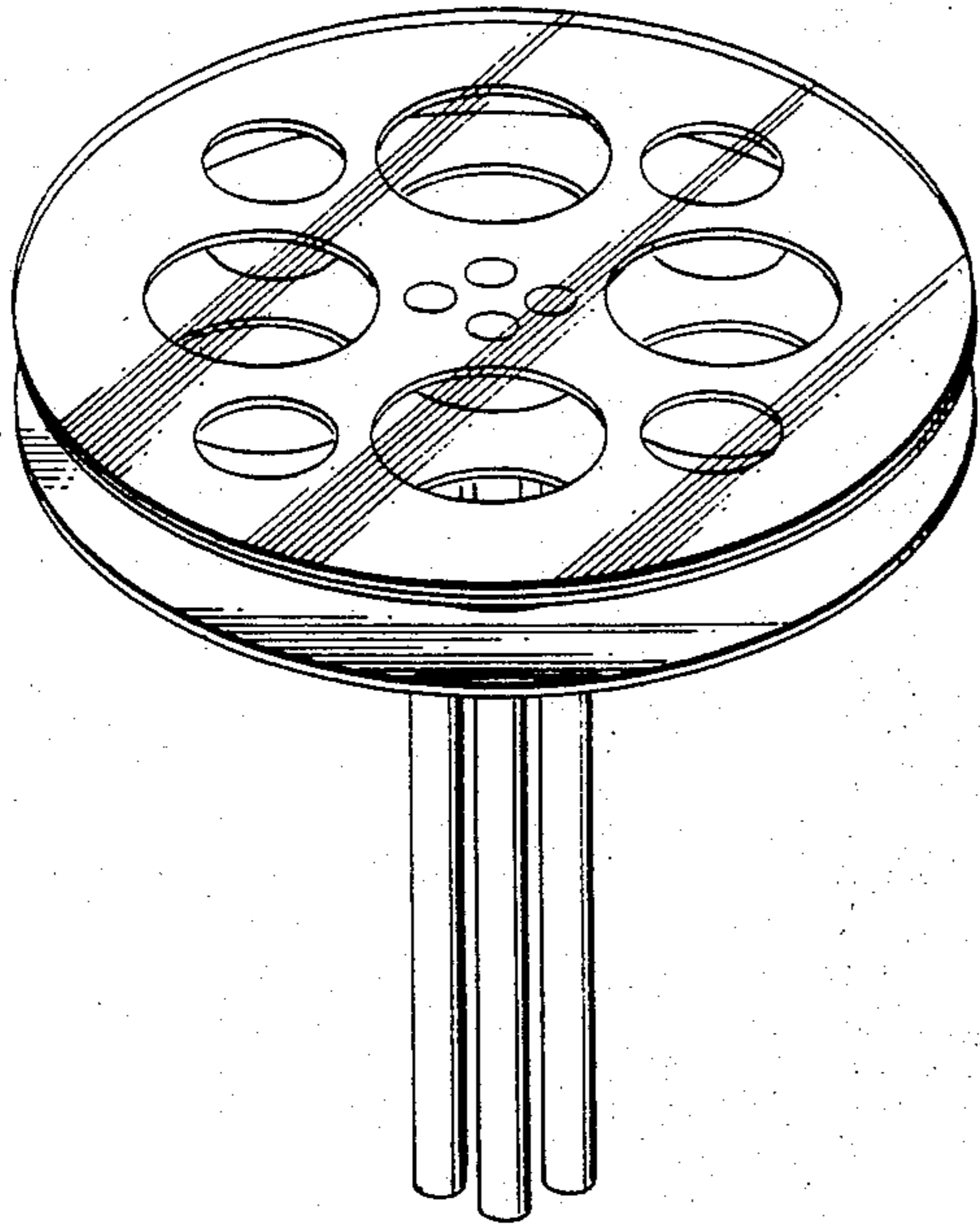


FIG. 6

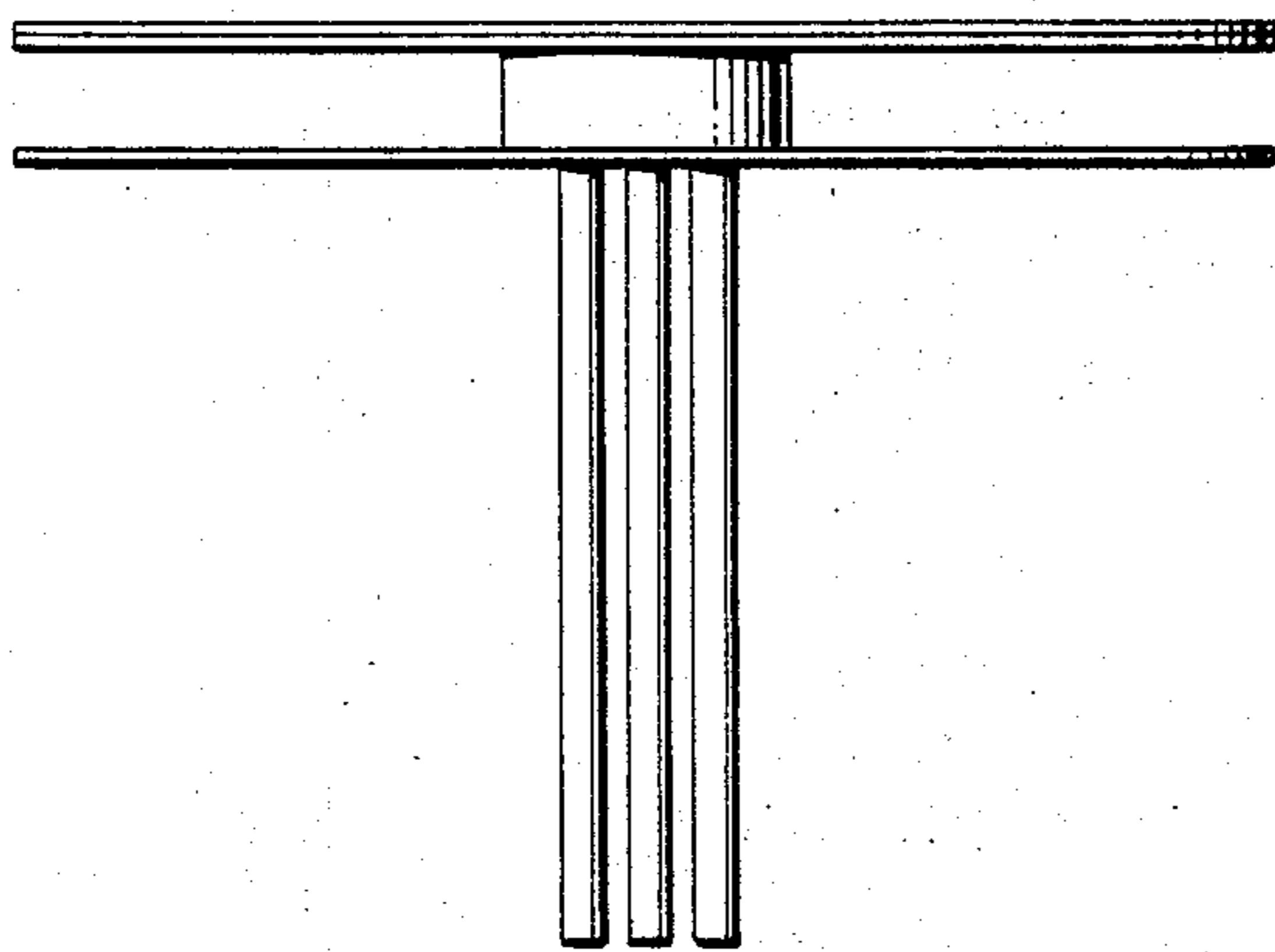
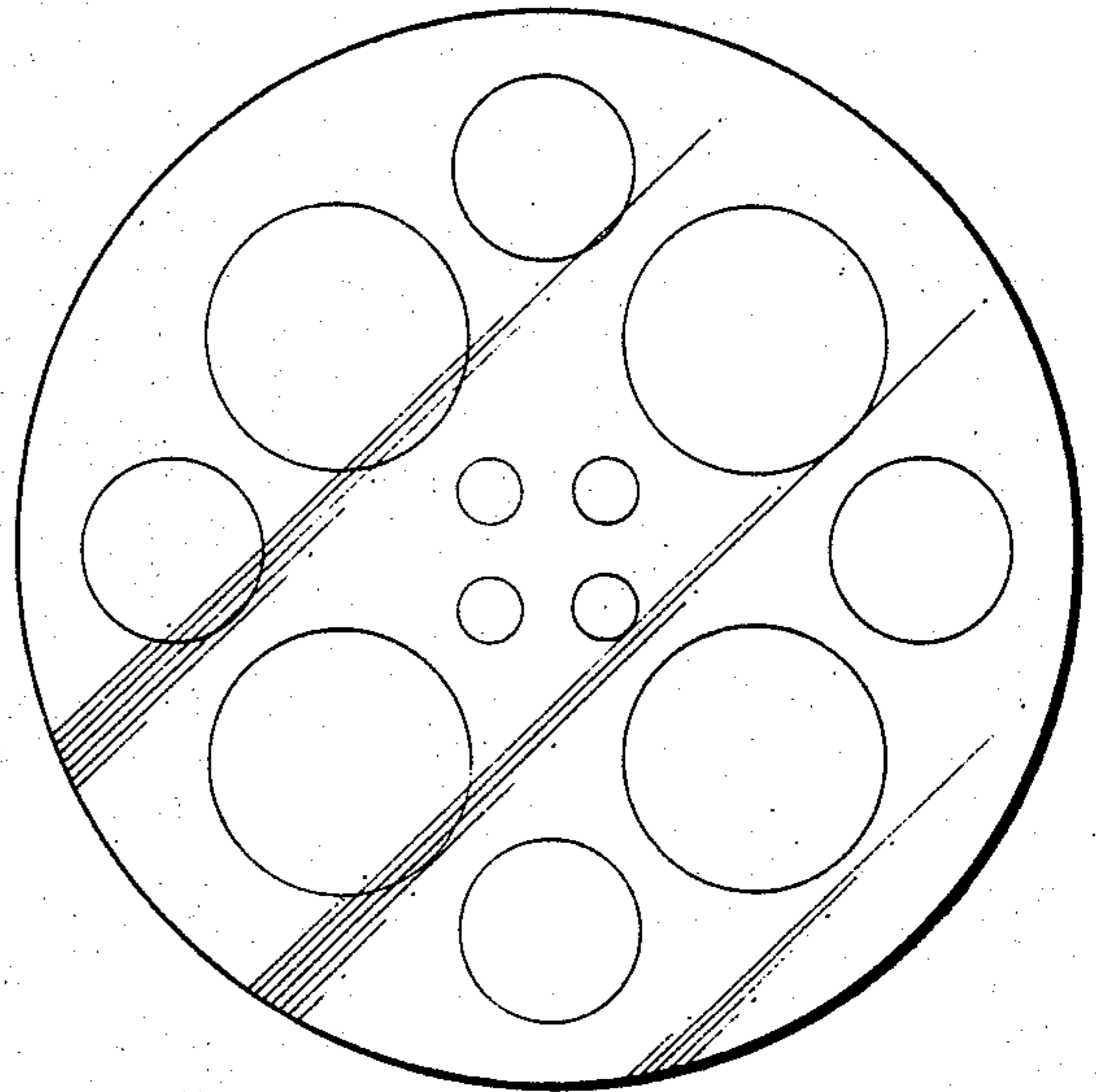


FIG. 7

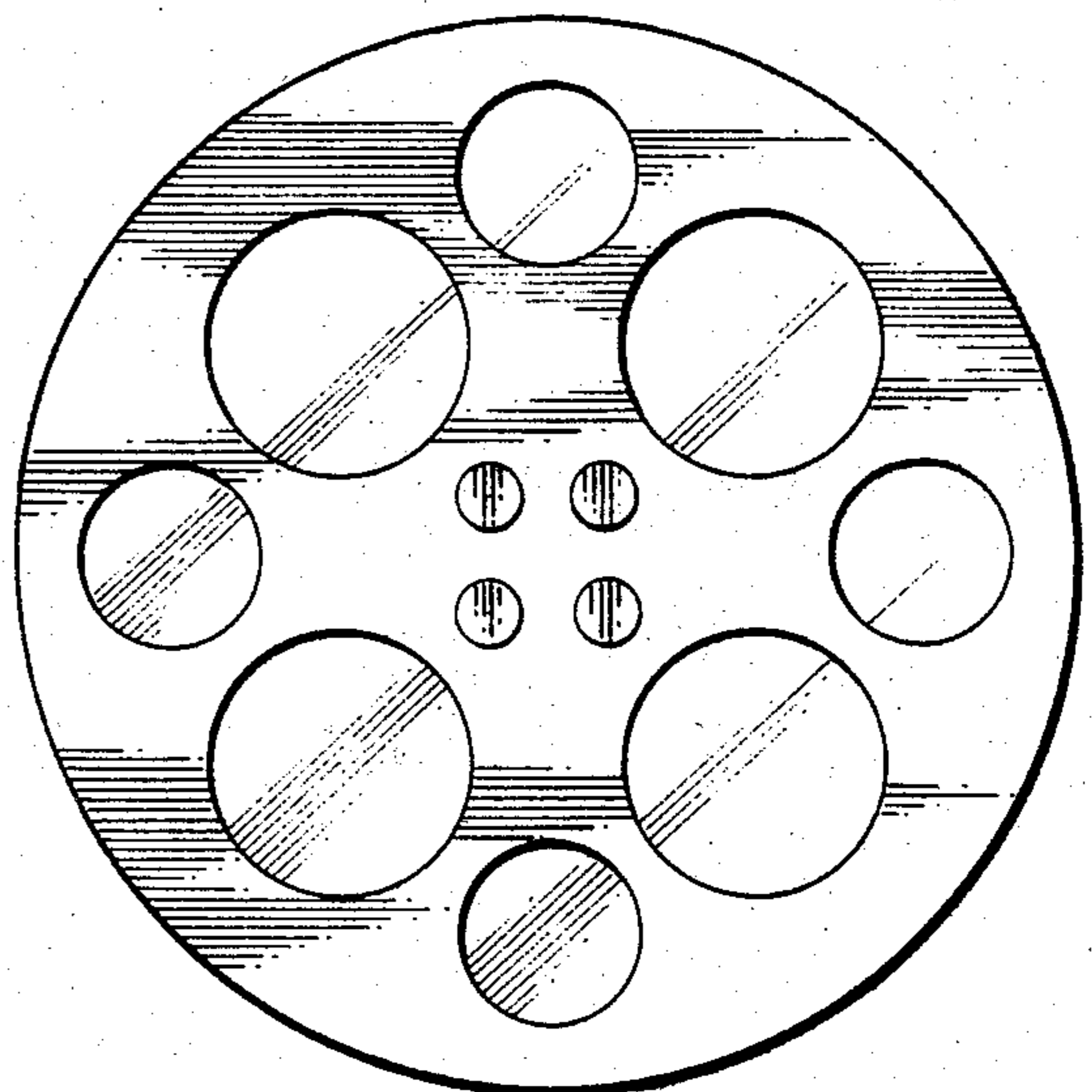


FIG. 8