

[54] COMPUTER TERMINAL WORKSTATION

[75] Inventors: Walter N. Fudala, Cheektowaga; David O. Hatcher, Eggertsville, both of N.Y.

[73] Assignee: Posting Equipment Corporation, Buffalo, N.Y.

[**] Term: 14 Years

[21] Appl. No.: 467,453

[22] Filed: Feb. 16, 1983

[52] U.S. Cl. D6/474; D6/436; D6/449; D6/490

[58] Field of Search D6/396, 397, 420, 436, D6/449, 473, 474, 477, 490

[56] References Cited

U.S. PATENT DOCUMENTS

D. 150,162 7/1948 Scaman D6/490

D. 209,559 12/1967 Anderson D6/474 X
D. 252,729 8/1979 Leahy, Jr. D6/421
D. 262,415 12/1981 Gelardi et al. D3/35
2,801,754 8/1957 Dorfman D6/474 X

Primary Examiner—Bruce W. Dunkins
Attorney, Agent, or Firm—Christel, Bean & Linihan

[57] CLAIM

The ornamental design for a computer terminal workstation, substantially as shown and described.

DESCRIPTION

FIG. 1 is a perspective view of a computer terminal workstation showing our new design; FIG. 2 is a front elevational view thereof; FIG. 3 is a back elevational view thereof; FIG. 4 is a top plan elevational view thereof; and FIG. 5 is a side elevational view thereof. The side of the computer terminal workstation not shown is a mirror image of the side shown in FIG. 5.

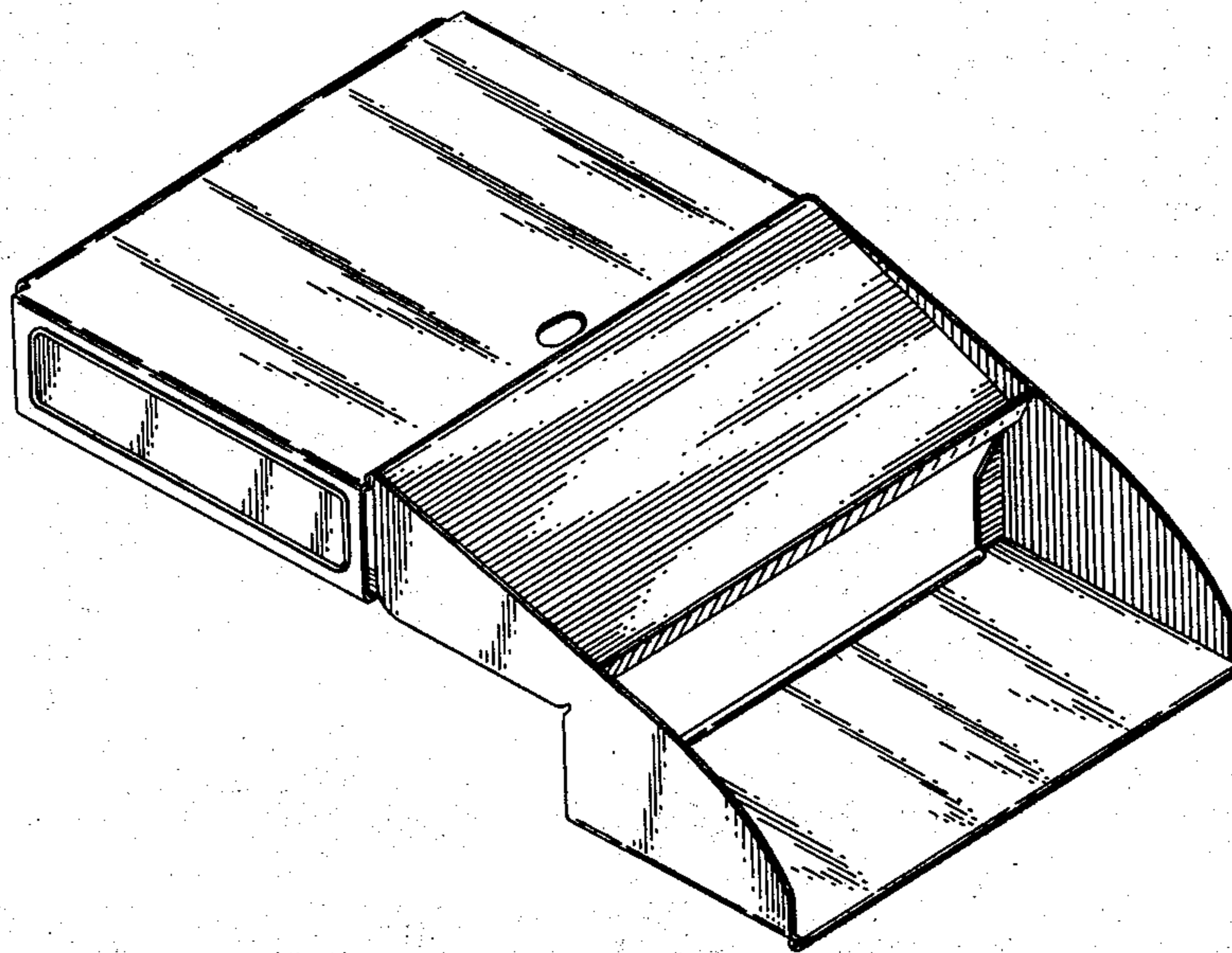


Fig. 1.

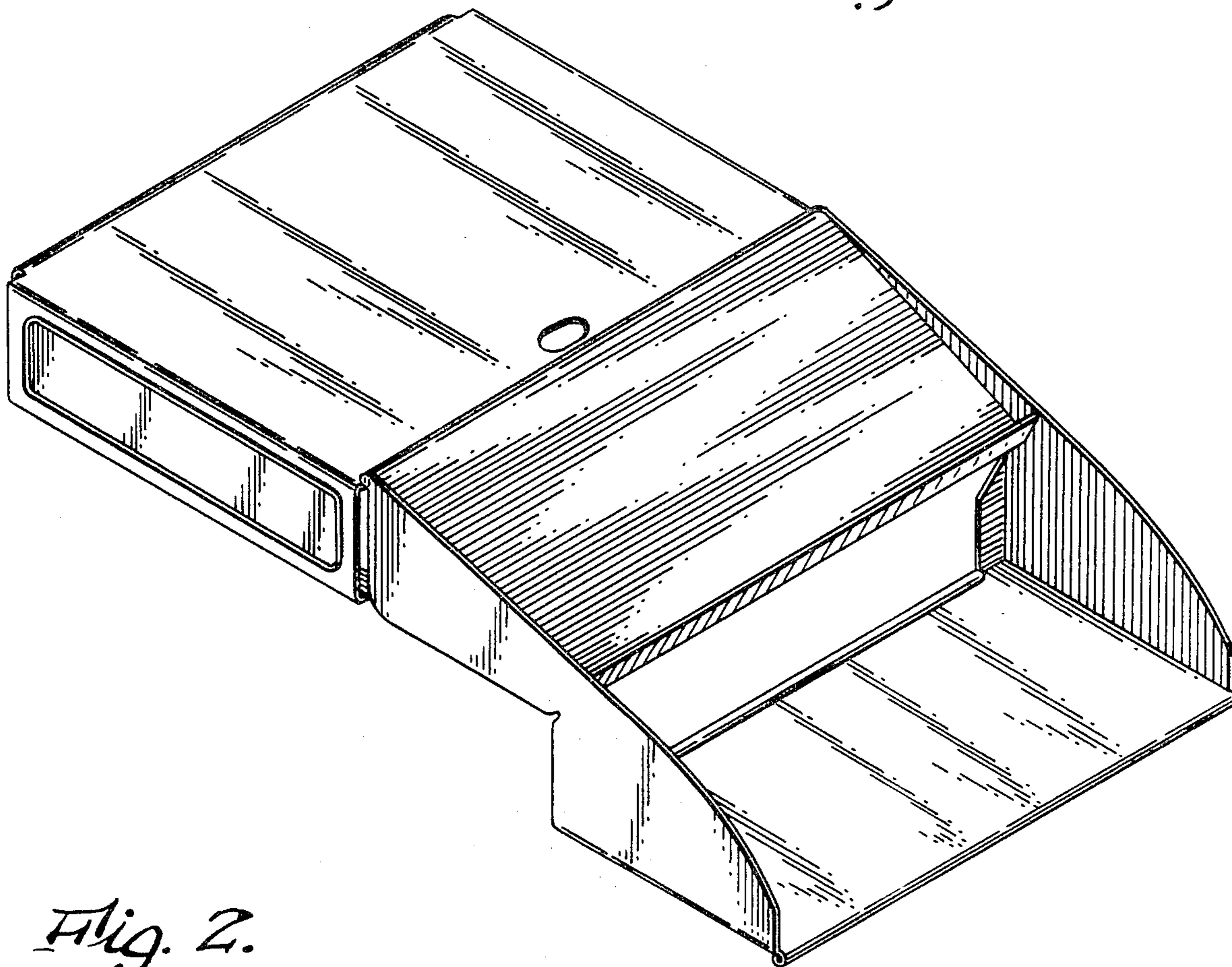


Fig. 2.

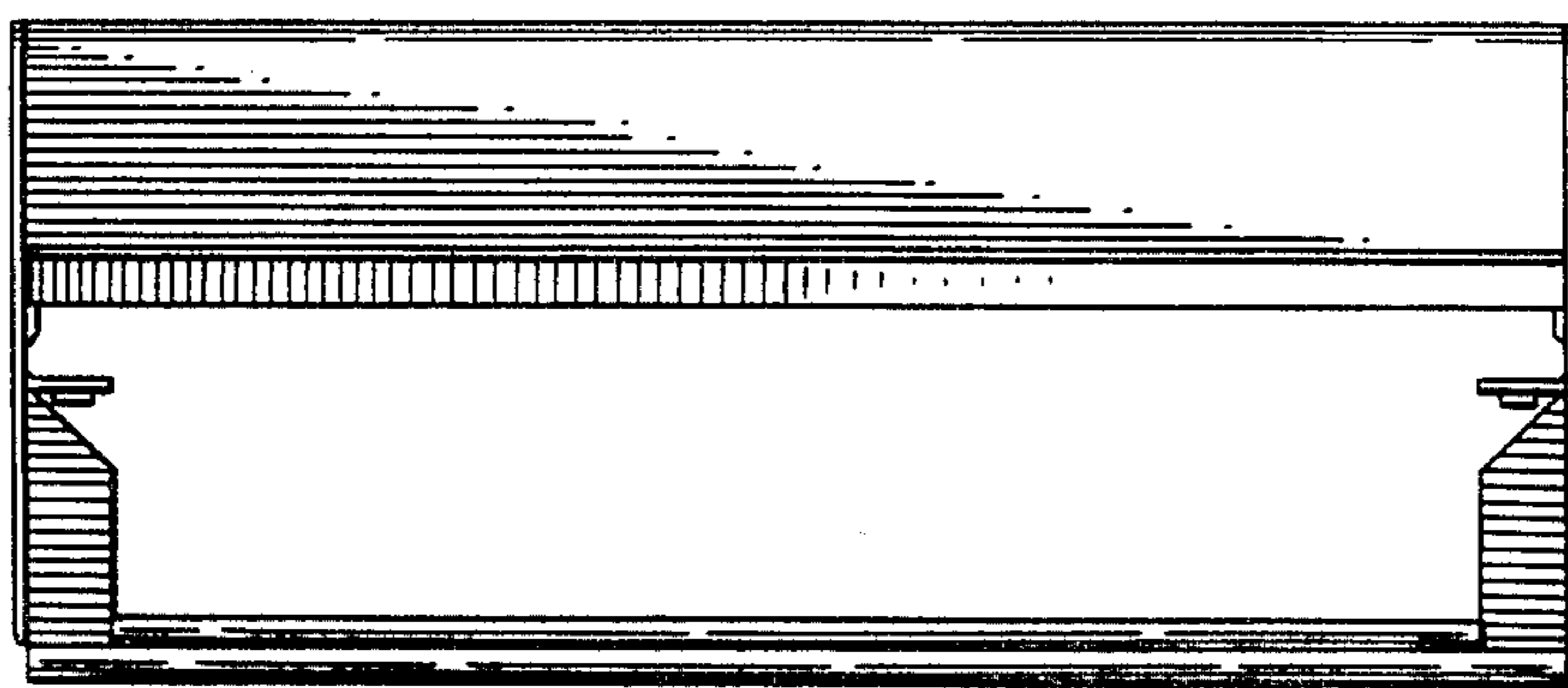


Fig. 3.



Fig. 7.

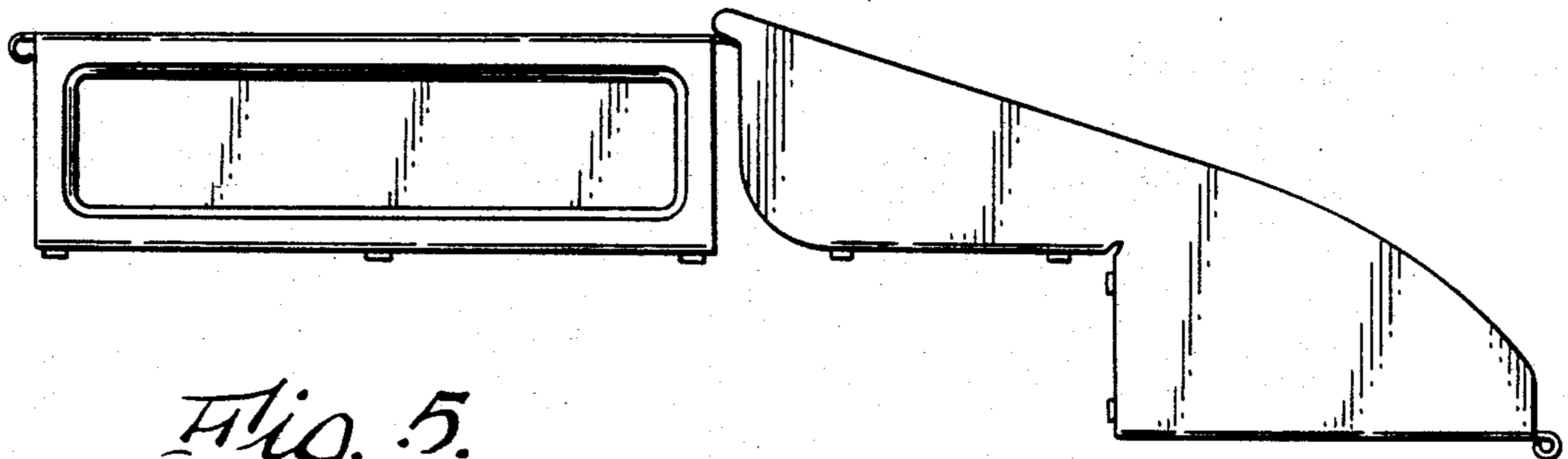
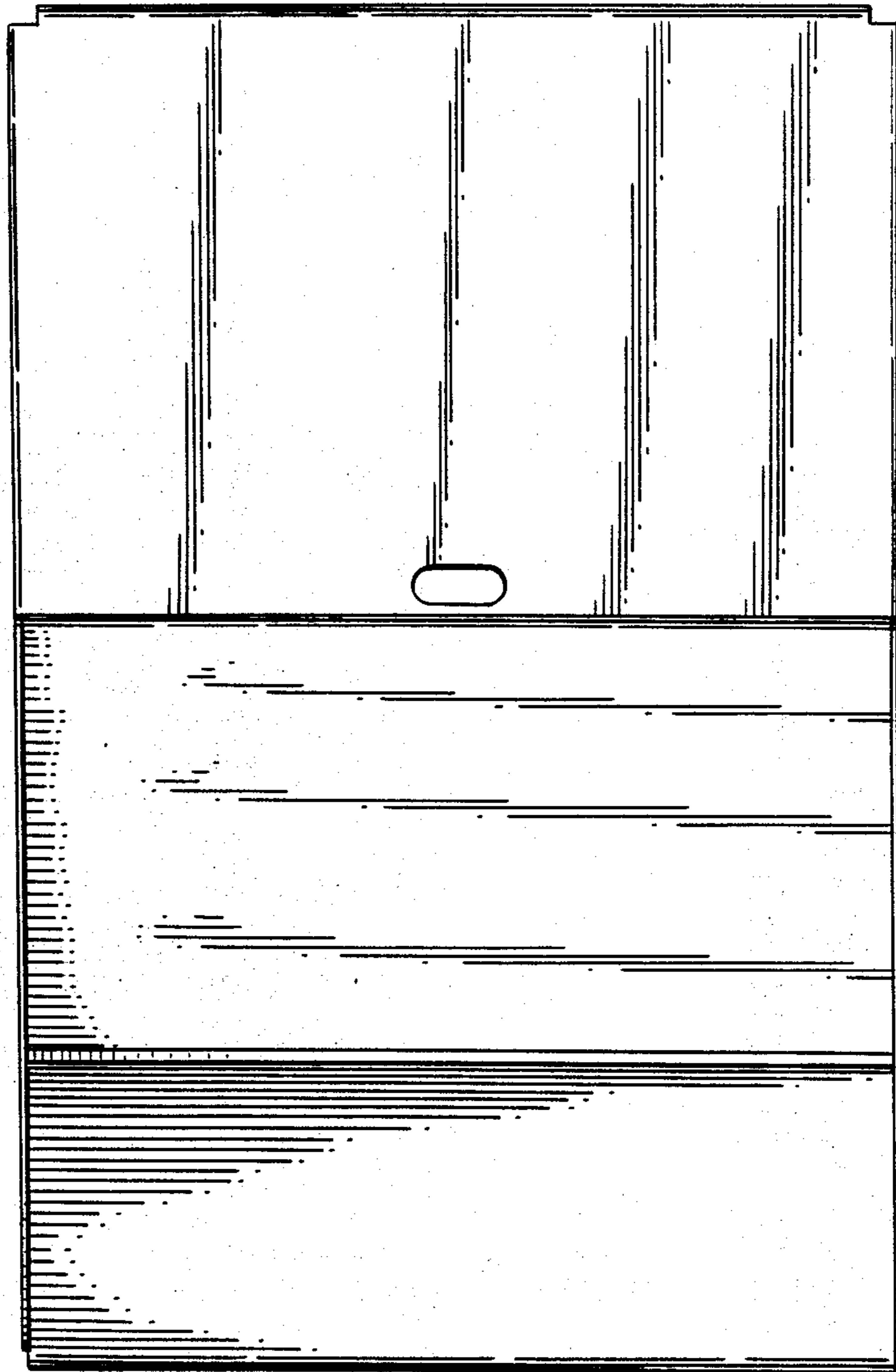


Fig. 5.