

[54] SUSPENDED FILE HOLDING RACK

[75] Inventor: Mel Evenson, San Pedro, Calif.

[73] Assignee: Eldon Industries, Inc., Inglewood, Calif.

[**] Term: 14 Years

[21] Appl. No.: 455,017

[22] Filed: Jan. 3, 1983

[52] U.S. Cl. D6/462; D6/407; D19/90

[58] Field of Search D6/406, 407, 449, 462, D6/466, 477, 479; D19/90; 211/189; 312/184

[56] References Cited

U.S. PATENT DOCUMENTS

D. 223,616	5/1972	Woods	D6/462
D. 245,056	7/1977	Winther	D6/407
3,208,456	9/1965	Peebles	312/184
3,651,950	3/1972	Carter	211/189
3,684,340	8/1972	Kirkorian	312/184 X

3,860,119	1/1975	Irvine et al.	312/184 X
4,030,610	6/1977	Alexander	D6/462 X
4,049,127	9/1977	Alexander	312/184 X

OTHER PUBLICATIONS

The Office Furniture Mart 1981 Catalog p. 37; Hanging File Folder Frames, bottom left on page.

Primary Examiner—Carmen H. Vales
Attorney, Agent, or Firm—Edward D. O'Brian; K. H. Boswell

[57] CLAIM

The ornamental design for a suspended file holding rack, substantially as shown and described.

DESCRIPTION

FIG. 1 is a top plan view of a suspended file holding rack showing my new design;
FIG. 2 is a bottom plan view thereof;
FIG. 3 is a front elevational view thereof;
FIG. 4 is a side elevational view thereof; and
FIG. 5 is a perspective view thereof.

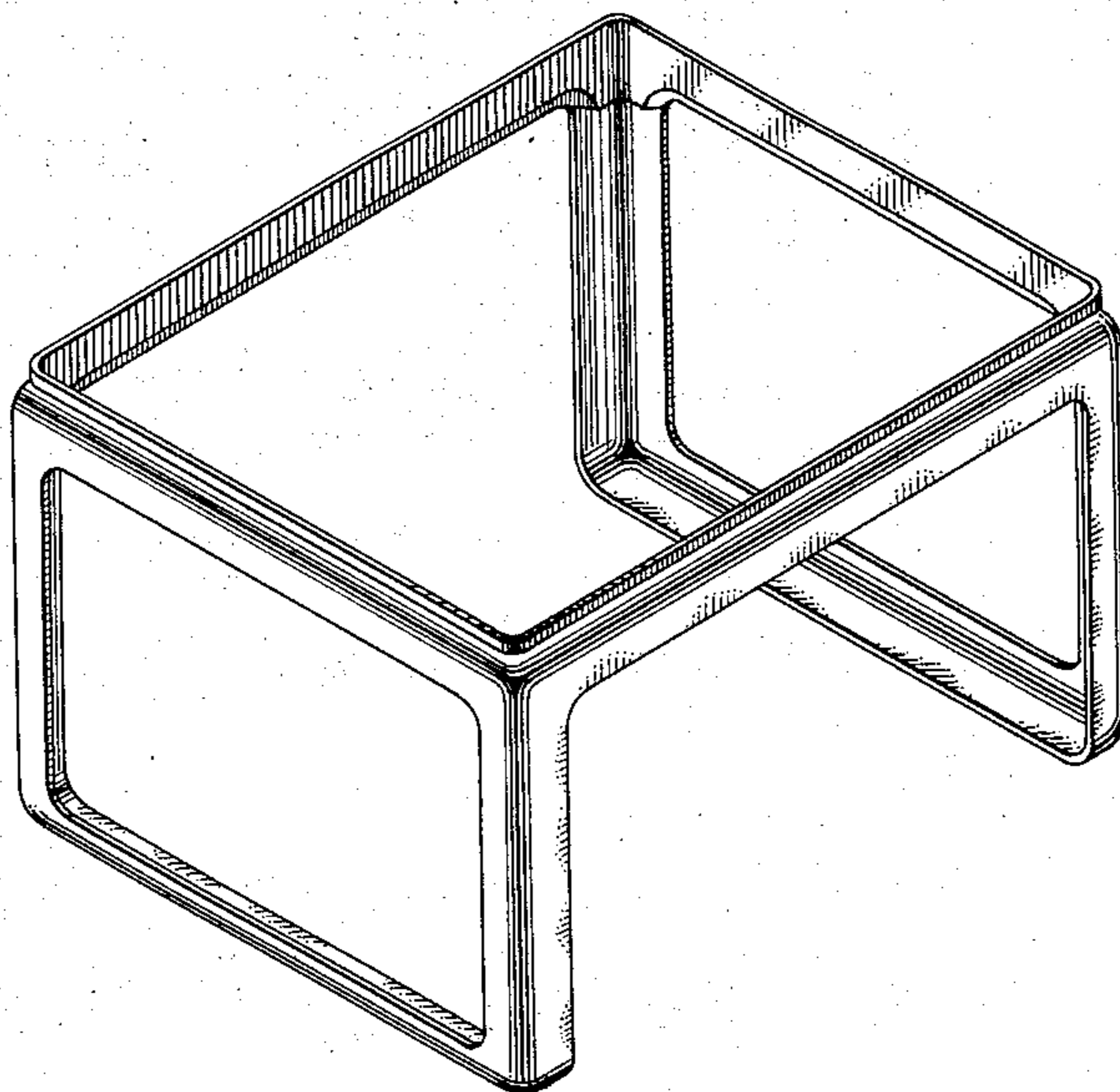


FIG. 1.

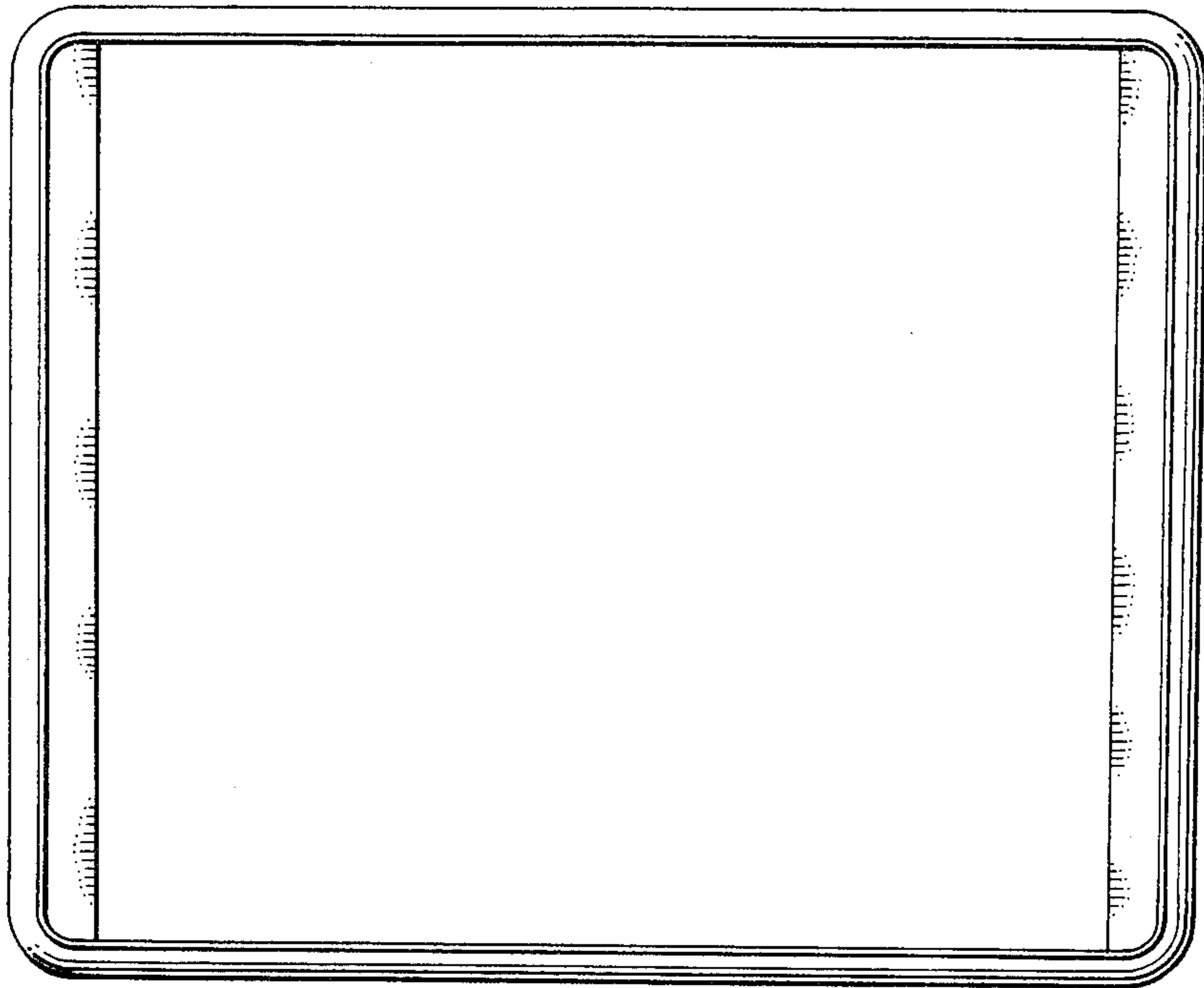


FIG. 2.

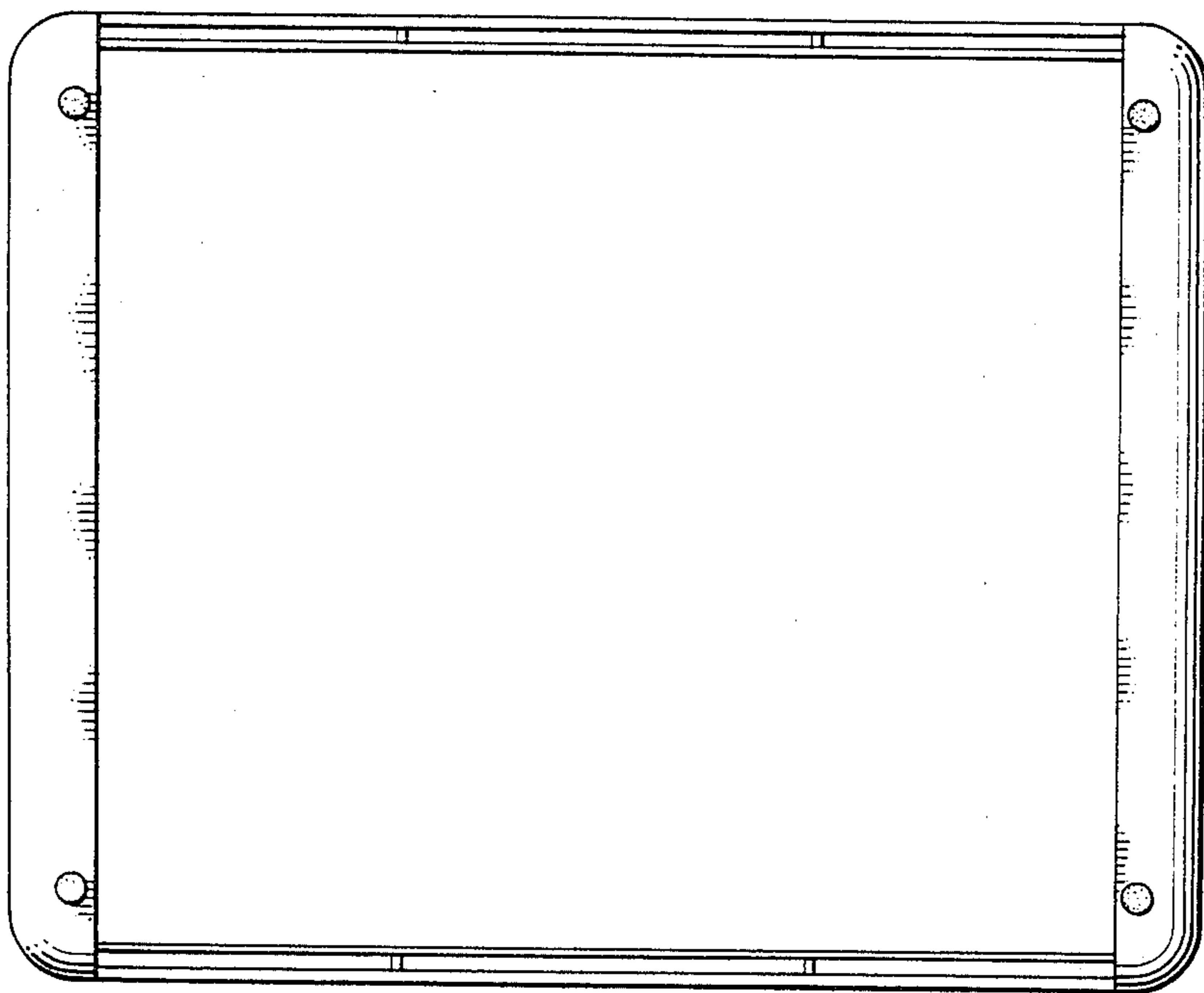


FIG. 3.

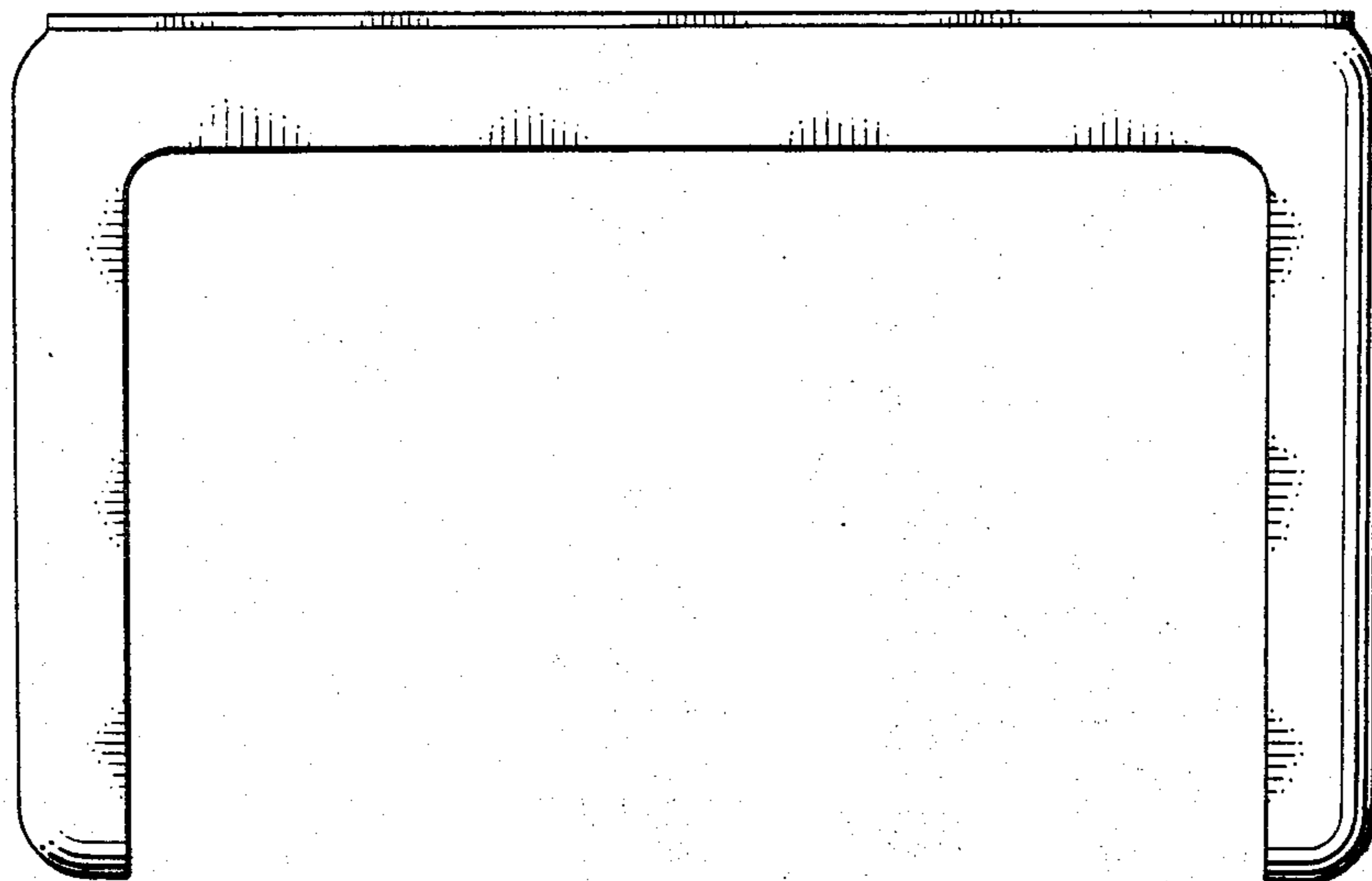
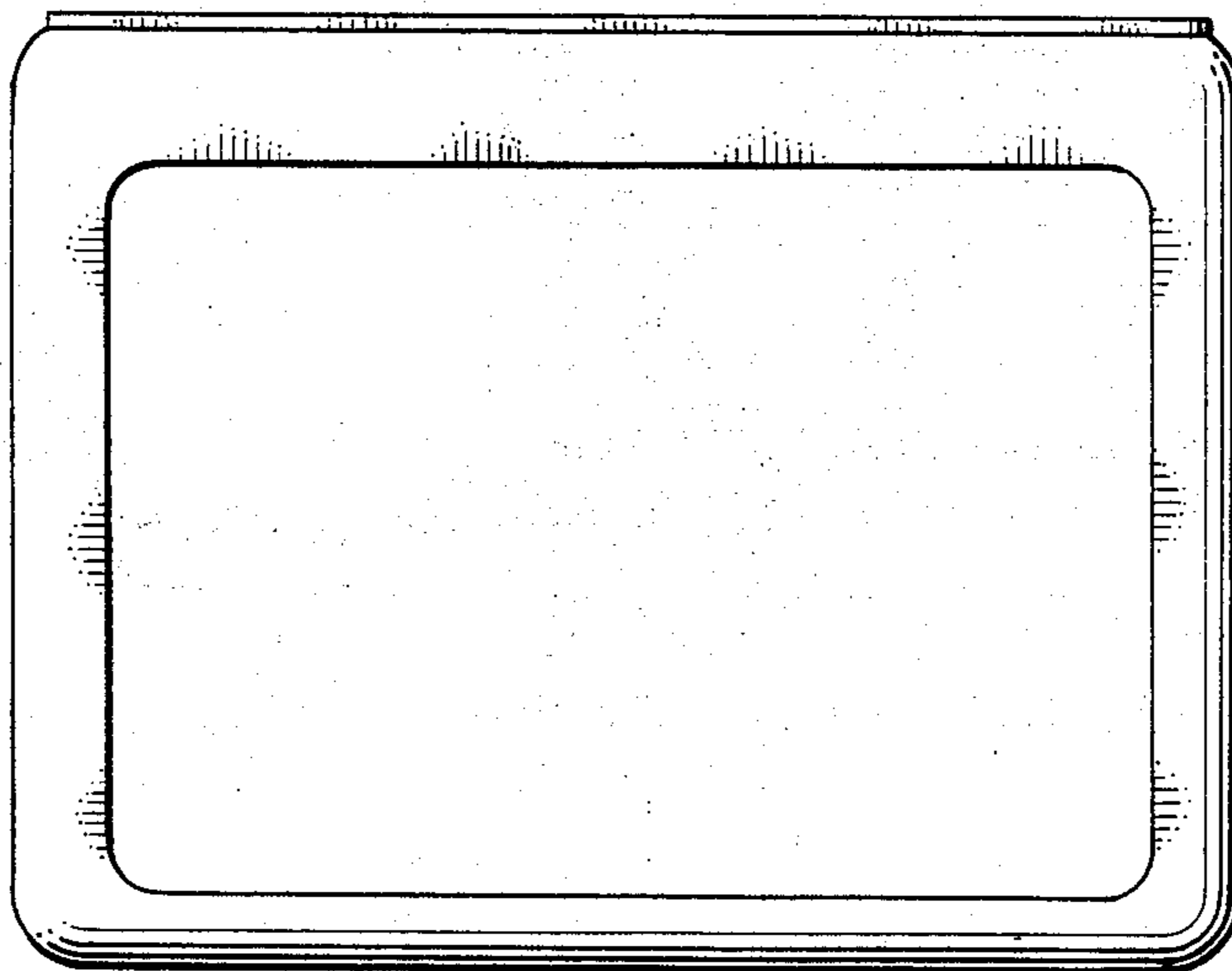


FIG. 4.



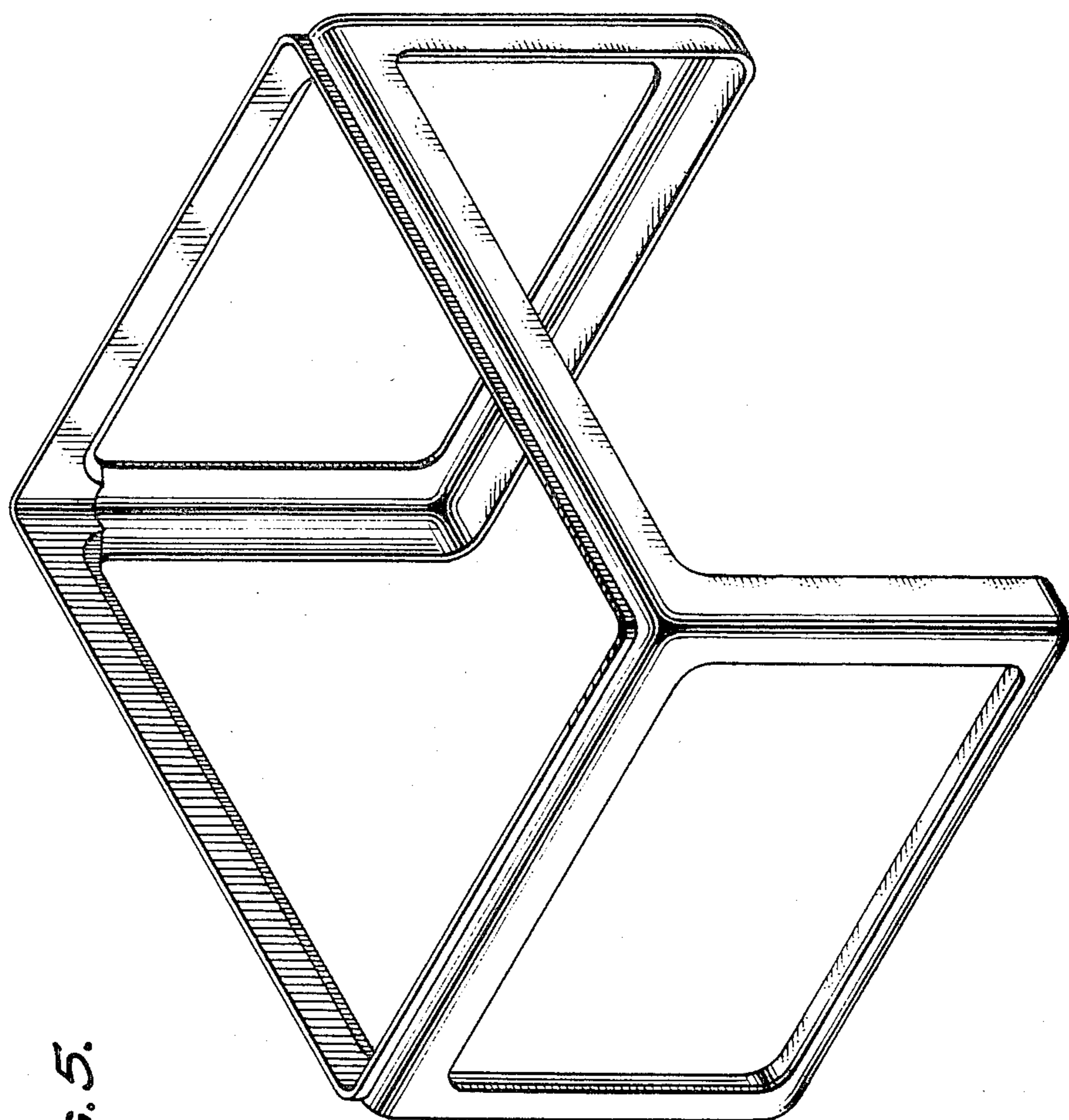


FIG. 5.