

[54] CHAIR

[76] Inventor: Gerald D. McLeroy, 2807 Via Montecito, San Clemente, Calif. 92672

[\*\*] Term: 14 Years

[21] Appl. No.: 390,765

[22] Filed: Jun. 21, 1982

[52] U.S. Cl. .... D6/358; D7/5; D6/450

[58] Field of Search ..... D6/10, 12, 68, 74, 151; D19/97; D7/5; D21/137

[56] References Cited

U.S. PATENT DOCUMENTS

D. 211,170	5/1968	Carsello	.....	D6/26
D. 233,381	10/1974	Wright	.....	D6/30 X
D. 249,272	9/1978	Sommerfeld	.....	D19/82 X
D. 250,444	12/1978	Danat et al.	.....	D7/5
D. 252,602	8/1979	Cirrone	.....	D6/68
D. 254,743	4/1980	Petrisco	.....	D21/137

OTHER PUBLICATIONS

Spalding Catalog, F&W, 1973, p. 7, Helmet, bottom left.

Primary Examiner—Bruce W. Dunkins

[57] CLAIM

The ornamental design for a chair, as shown and described.

DESCRIPTION

FIG. 1 is a front perspective view of the chair showing my design;

FIG. 2 is a top plan view;

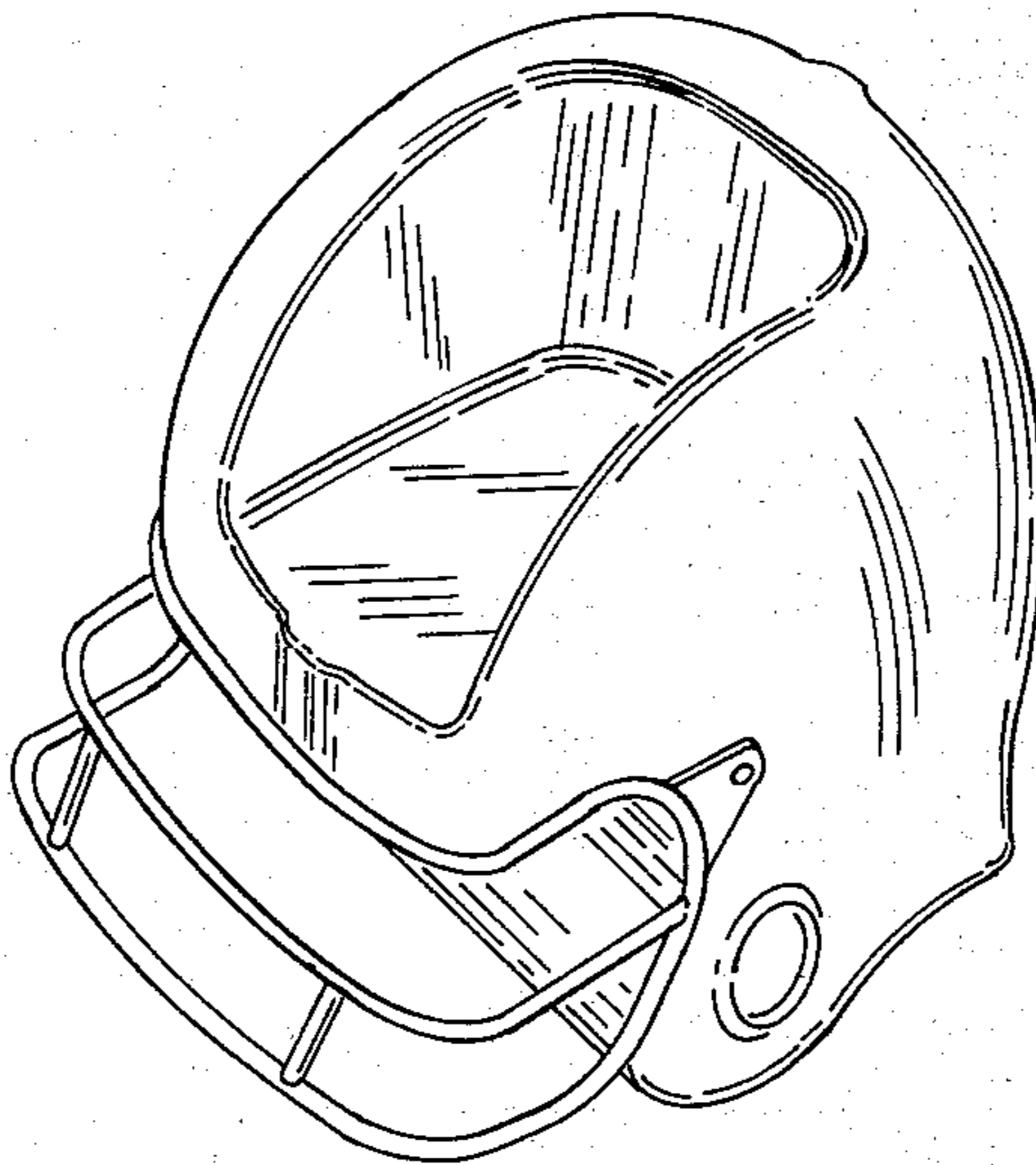
FIG. 3 is a side elevational view;

FIG. 4 is a front elevational view;

FIG. 5 is a top plan view; and

FIG. 6 is a sectional view taken along the line 6—6 of FIG. 2 and looking in the direction of the arrows thereof.

The side of the chair not shown is a mirror image of the side shown in FIG. 3.



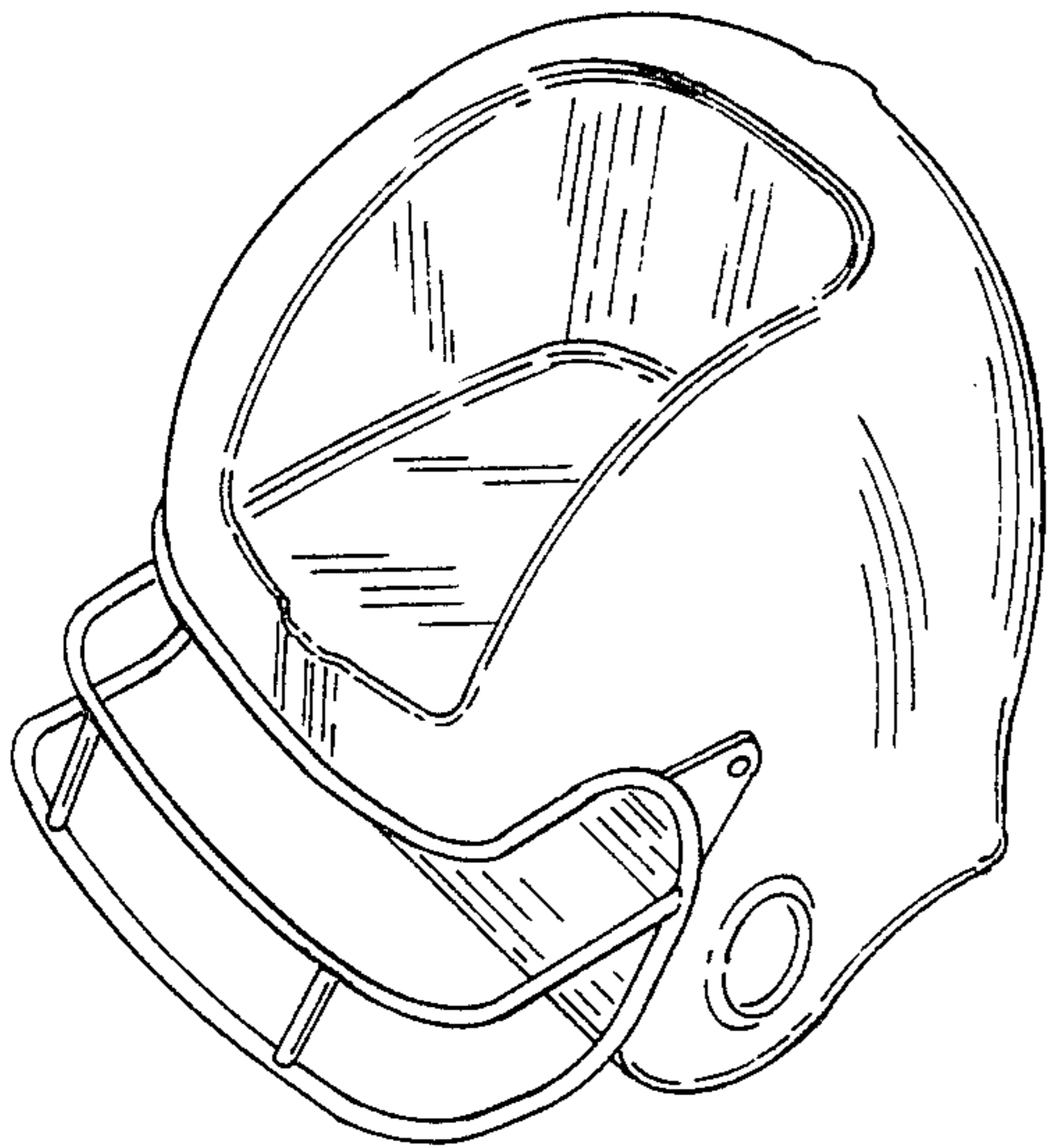


FIG. 1

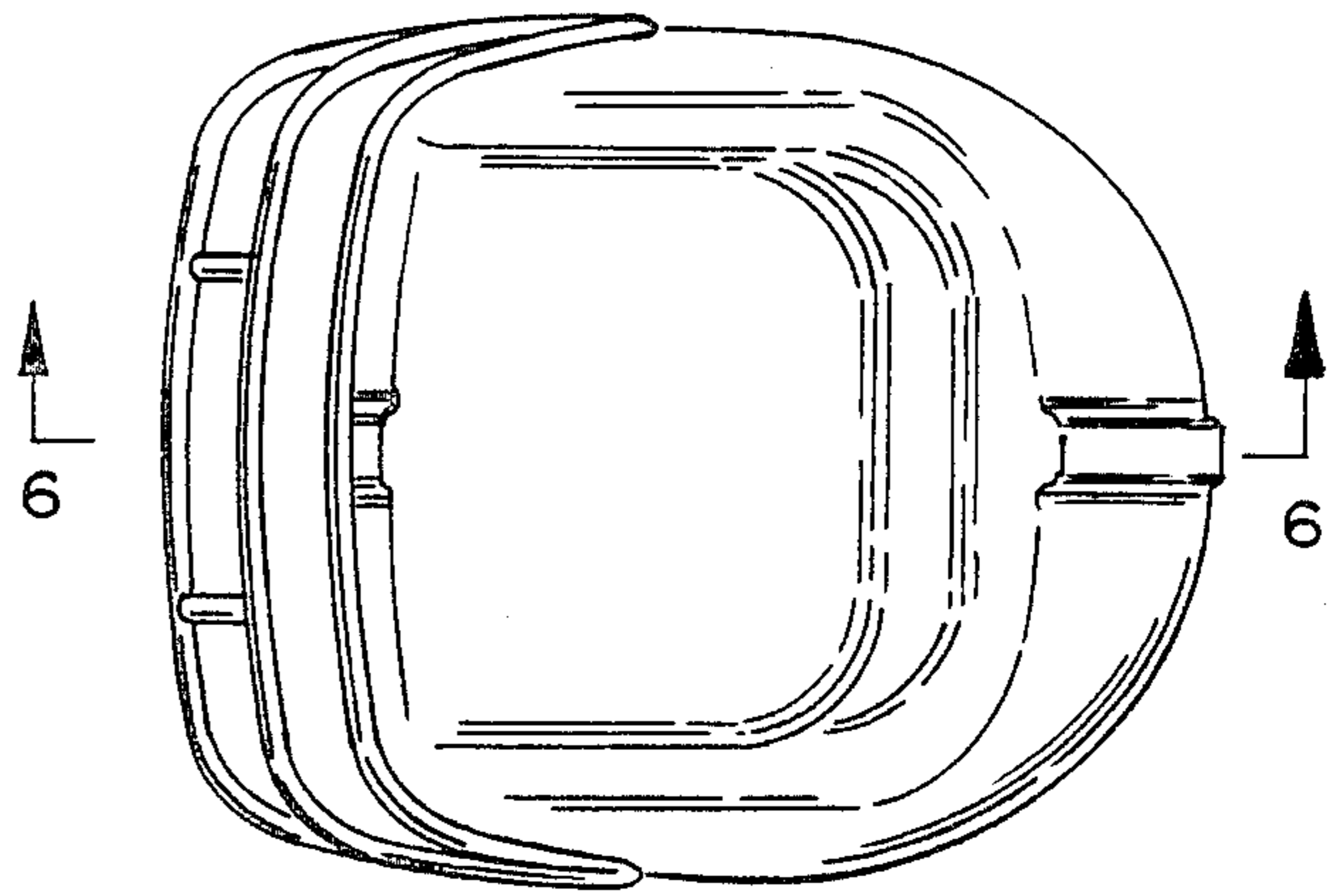


FIG. 2

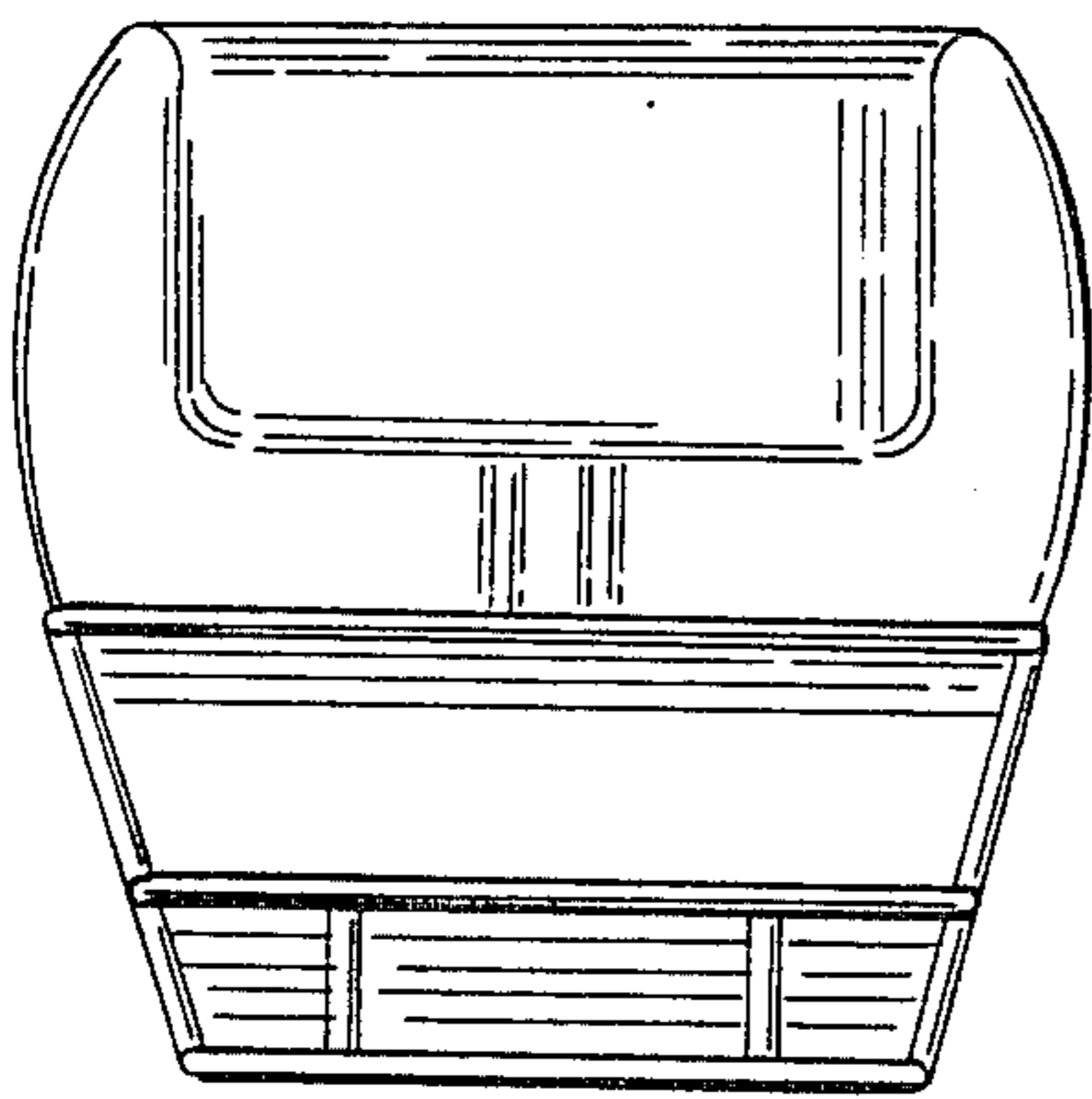


FIG. 4

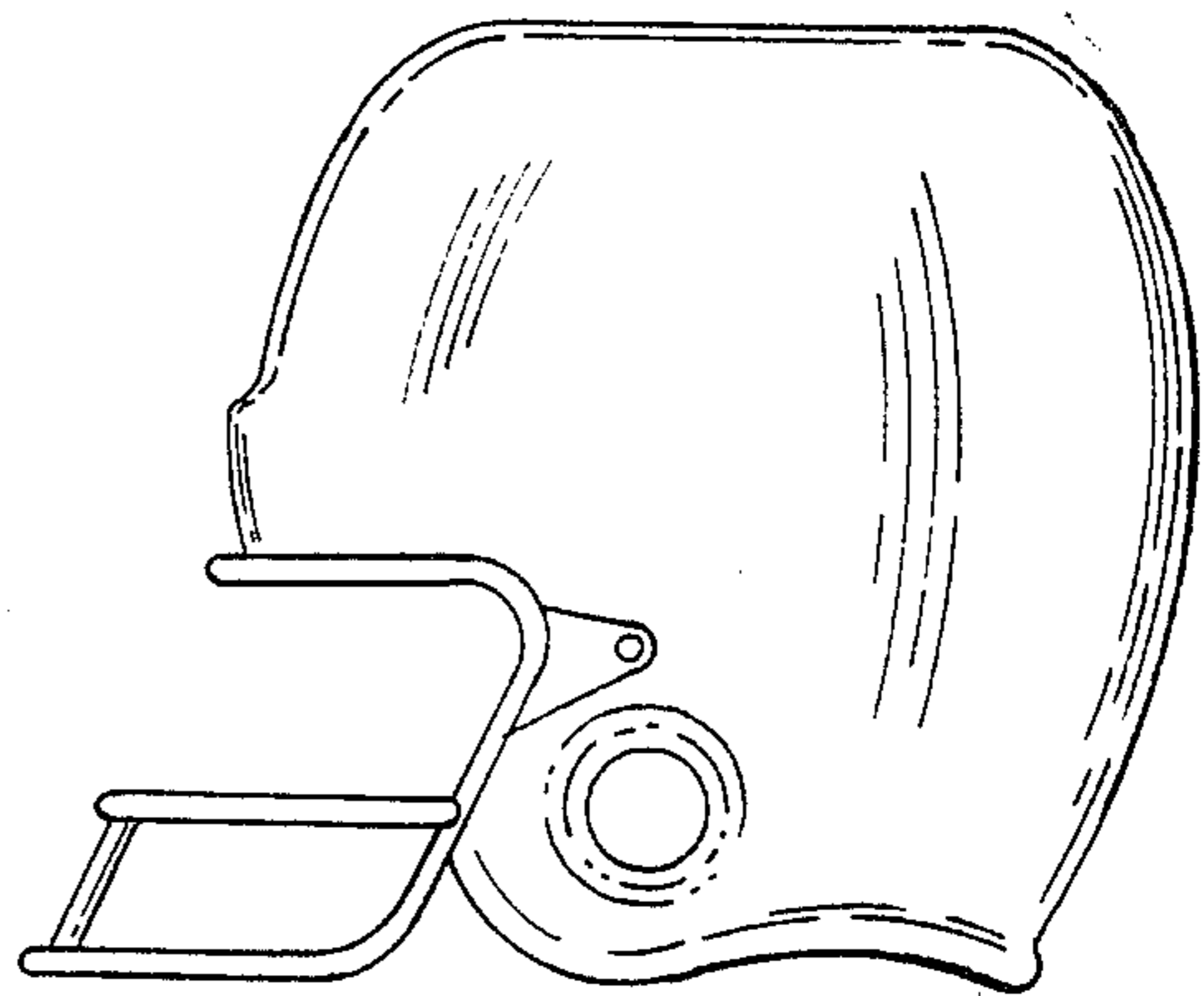


FIG. 3

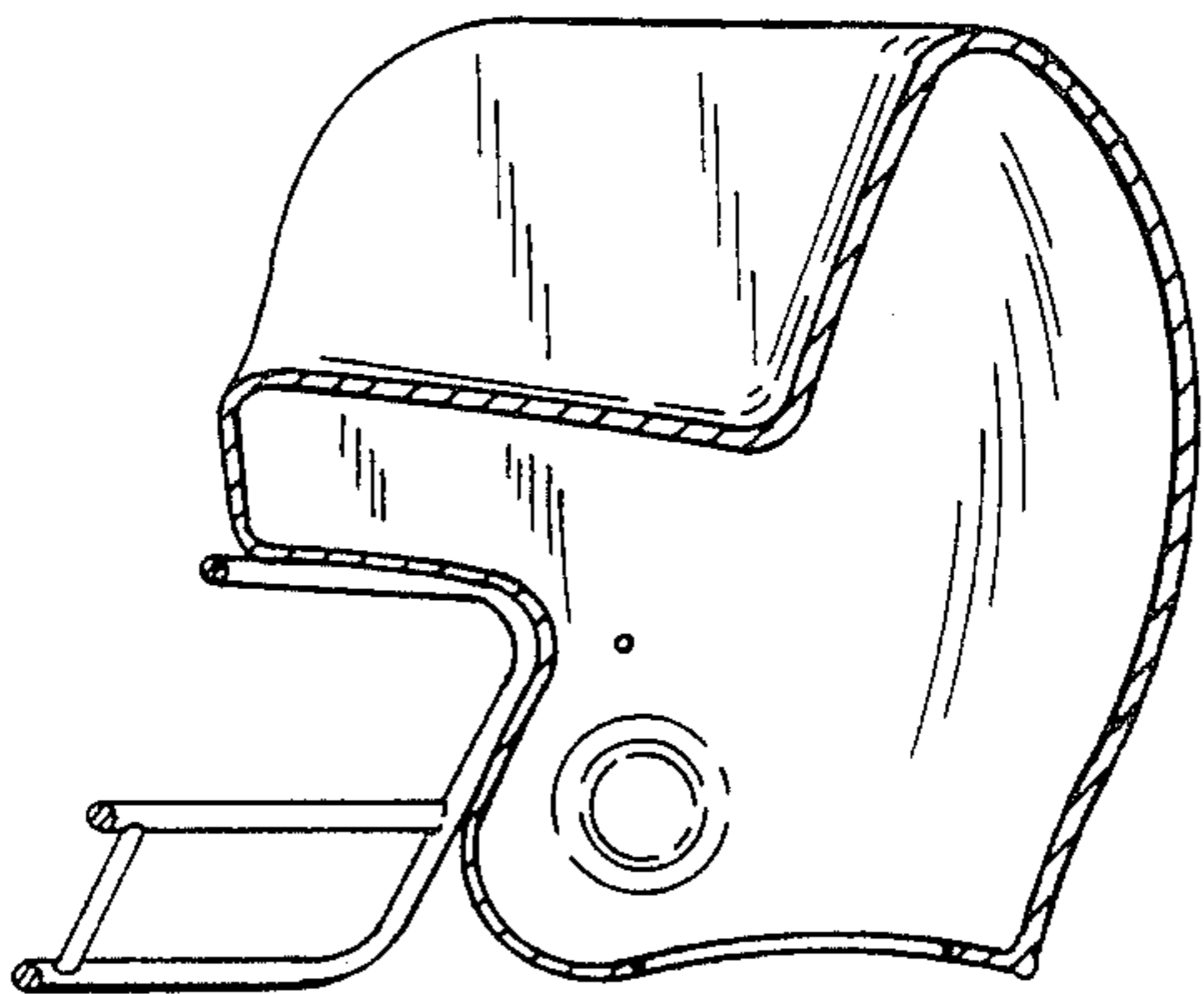


FIG. 6

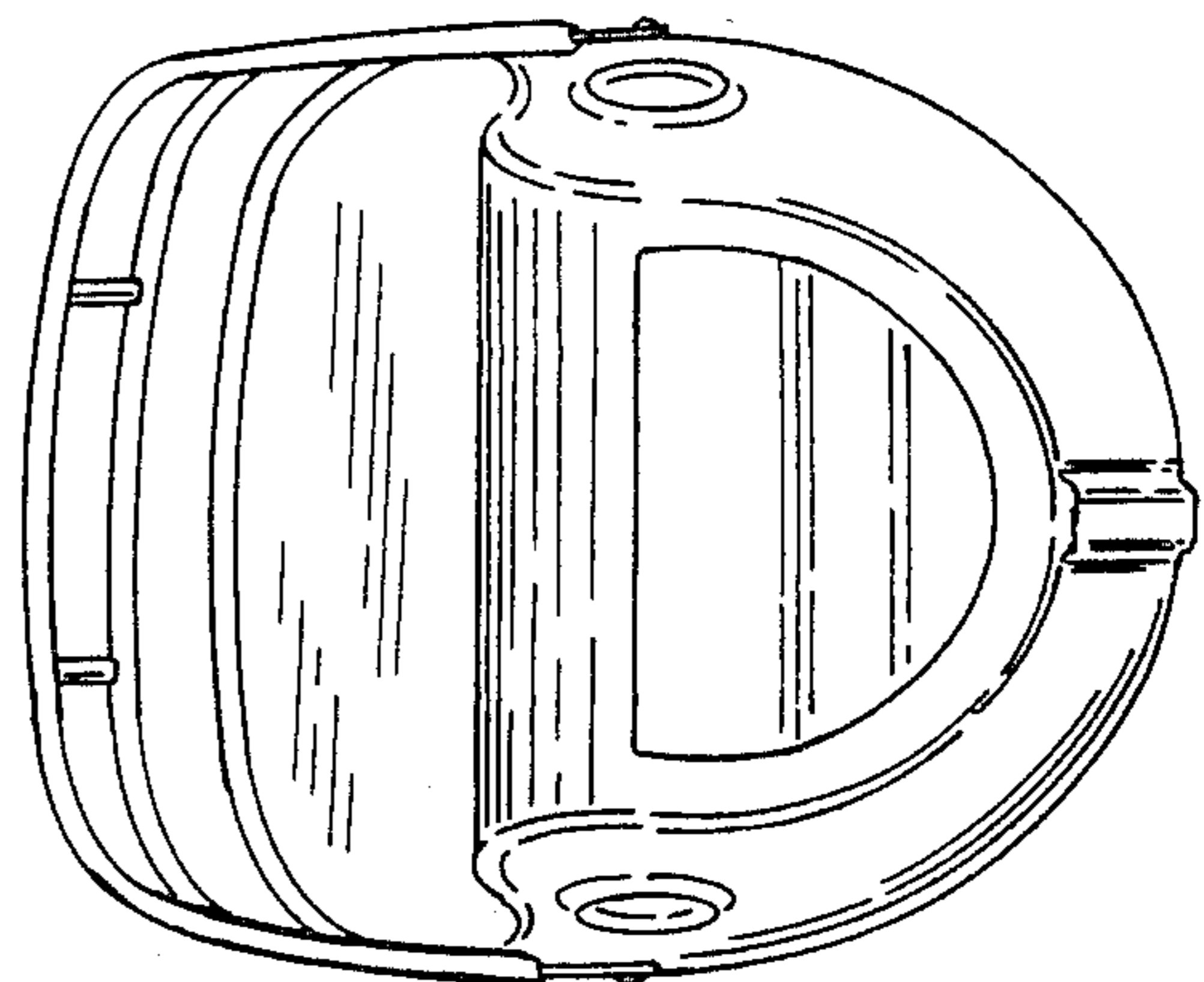


FIG. 5