

[54] SUPPORT FOR MOUNTING RADIOS IN A VEHICLE HAVING BUCKET SEATS

[76] Inventor: Stephen Dzak, 414 Muir Dr., Lockport, Ill. 60441

[**] Term: 14 Years

[21] Appl. No.: 422,982

[22] Filed: Sep. 24, 1982

[52] U.S. Cl. D3/40

[58] Field of Search D12/155; D3/40; 224/42.11, 42.42 R; 312/7.1; 296/37.8, 37.15

[56] References Cited

U.S. PATENT DOCUMENTS

- D. 218,438 8/1970 Shook D3/40
- 3,589,577 6/1971 Basinger 224/42.42 R

3,827,772 8/1974 Johnson 224/42.42 R

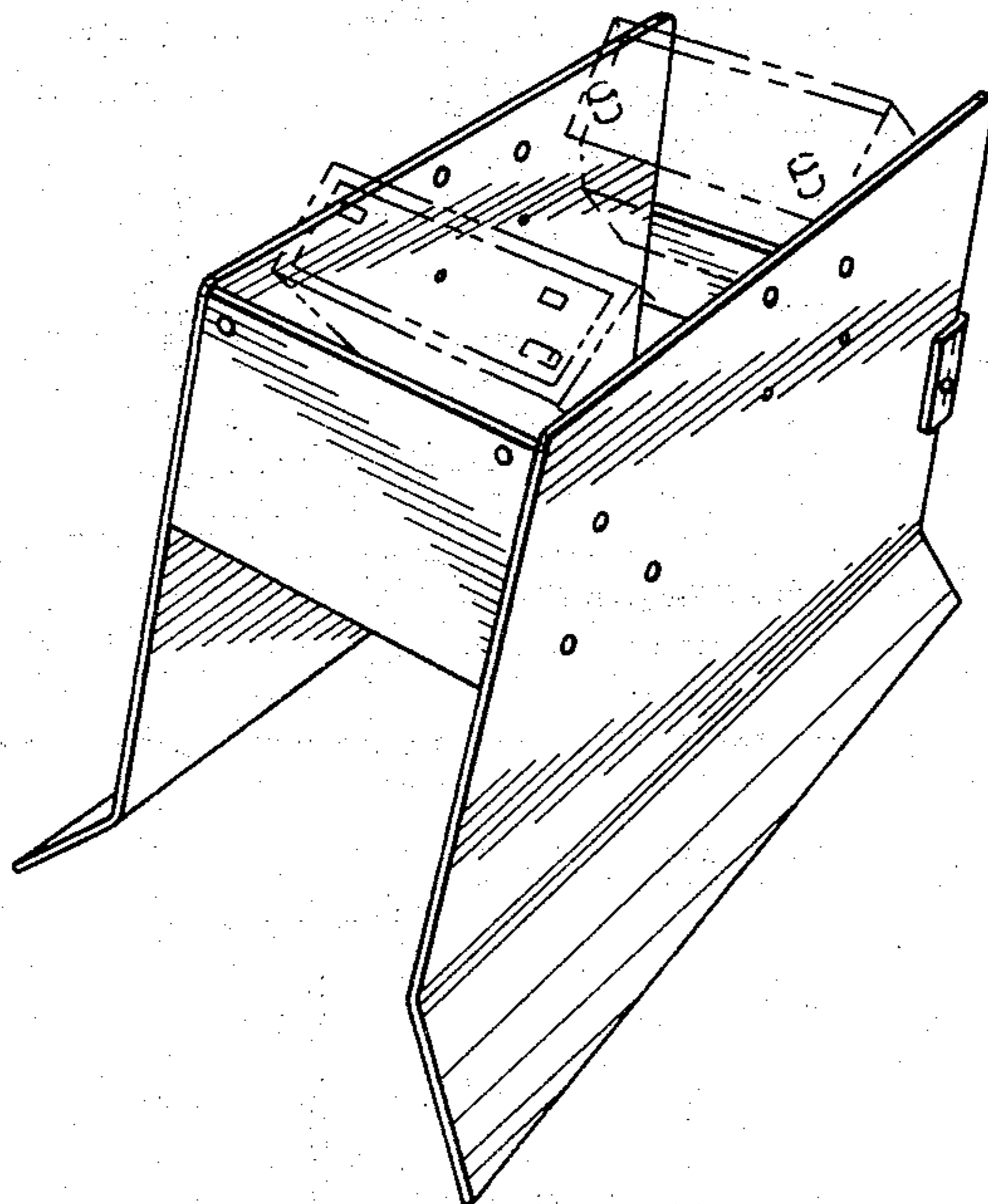
Primary Examiner—James M. Gandy
Attorney, Agent, or Firm—Ernest Kettelson

[57] CLAIM

The ornamental design for a support for mounting radios in a vehicle having bucket seats, as shown and described.

DESCRIPTION

FIG. 1 is a front perspective view of a support for mounting radios in a vehicle having bucket seats showing my new design it being understood that the broken lines are for illustrative purposes only; FIG. 2 is a side elevation view thereof, the opposite side being a mirror image of that shown; and FIG. 3 is a front elevation view thereof.



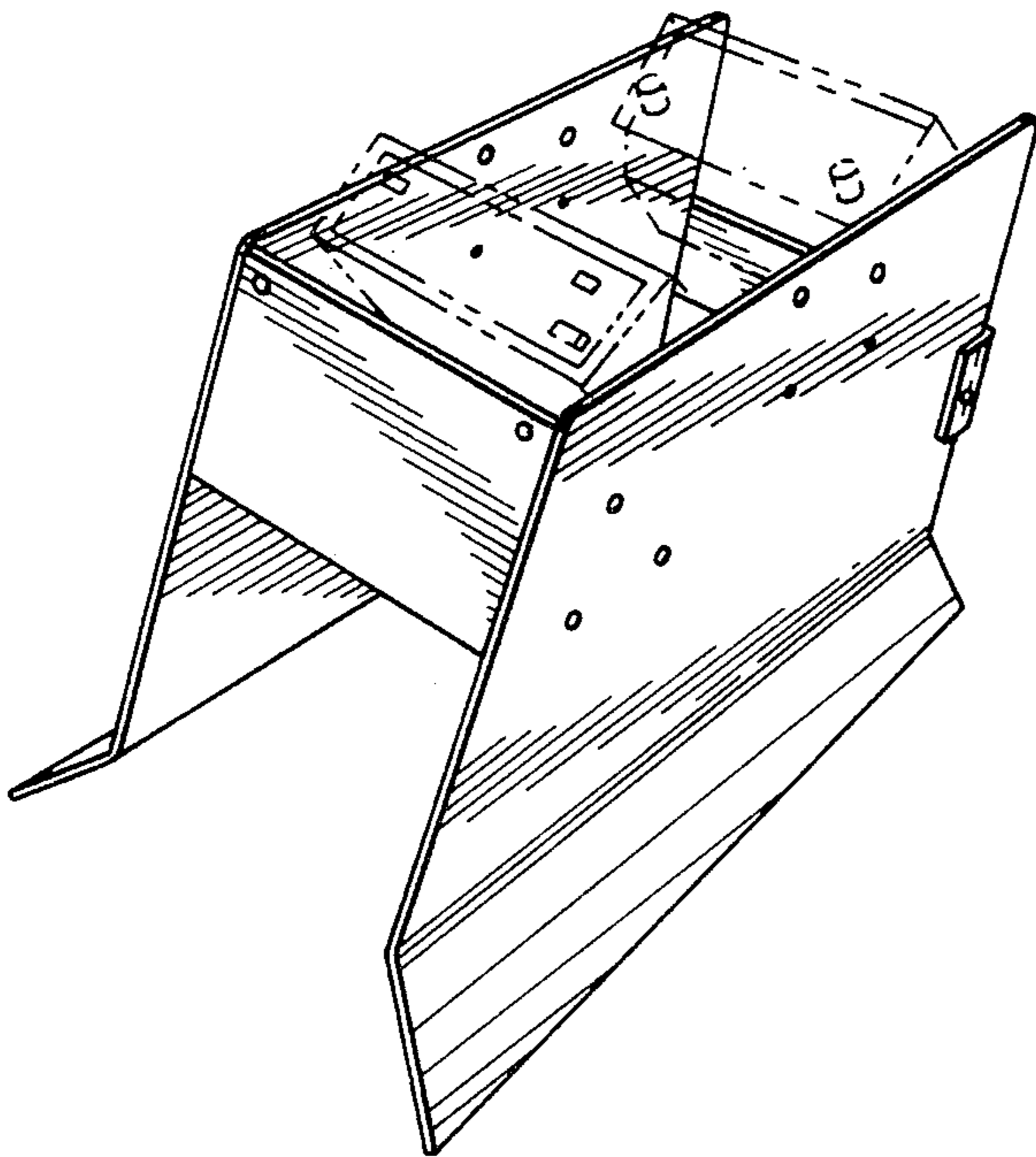


FIG. 1

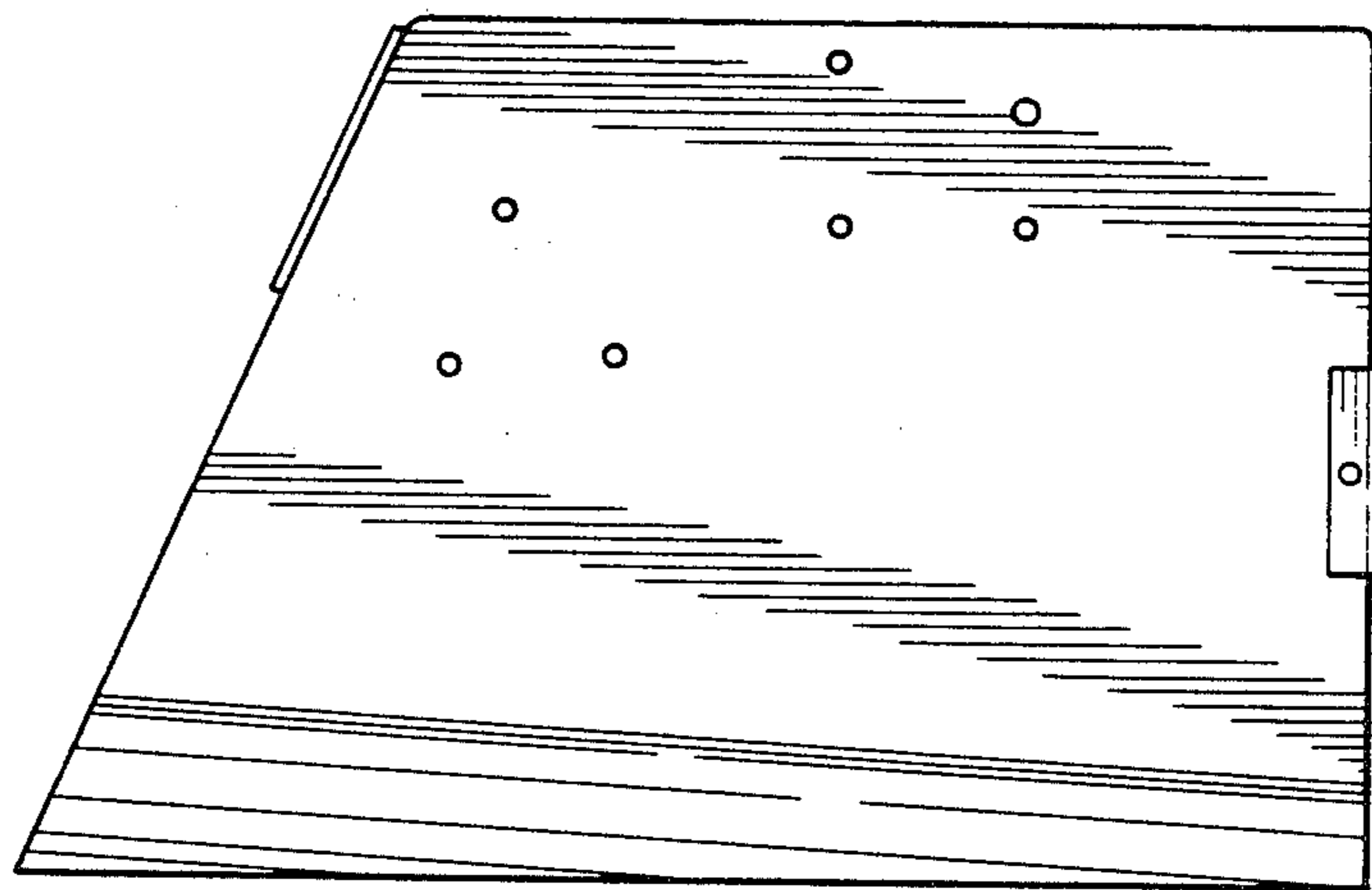


FIG. 2

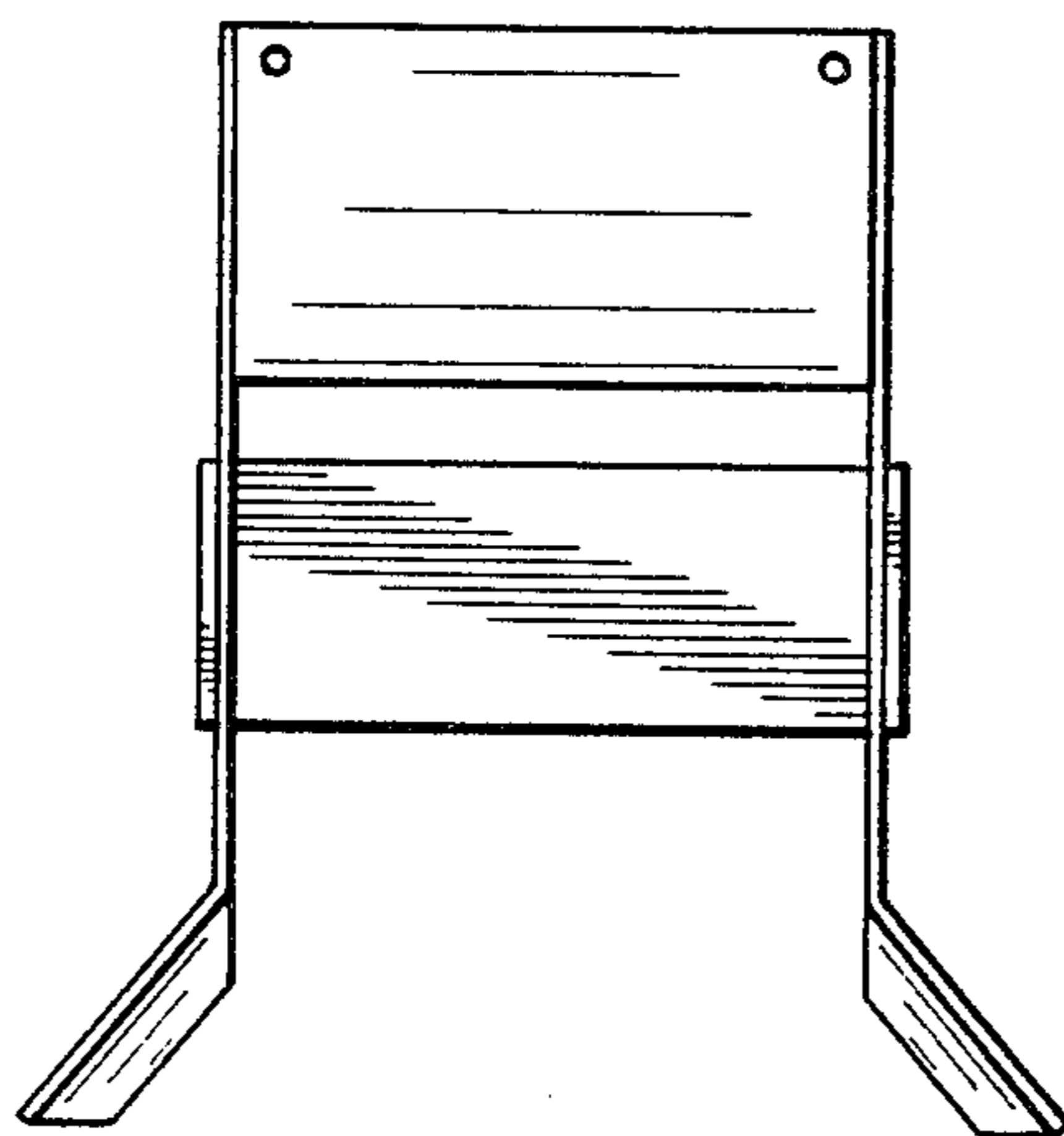


FIG. 3