

[54] PALLET

[76] Inventor: Henry W. Helmer, 10 Colony Rd., Gretna, La. 70053

[\*\*] Term: 14 Years

[21] Appl. No.: 457,044

[22] Filed: Jan. 10, 1983

[52] U.S. Cl. .... D34/38

[58] Field of Search ..... D34/38; 108/51.1, 57.1

[56] References Cited

U.S. PATENT DOCUMENTS

2,372,055	3/1945	Braun	108/51.1
2,973,931	4/1958	Brown	108/57.1
3,938,448	2/1976	Nishitani et al.	108/51.1

FOREIGN PATENT DOCUMENTS

2019275	11/1971	Fed. Rep. of Germany	108/51.1
129084	8/1950	Sweden	108/51.1

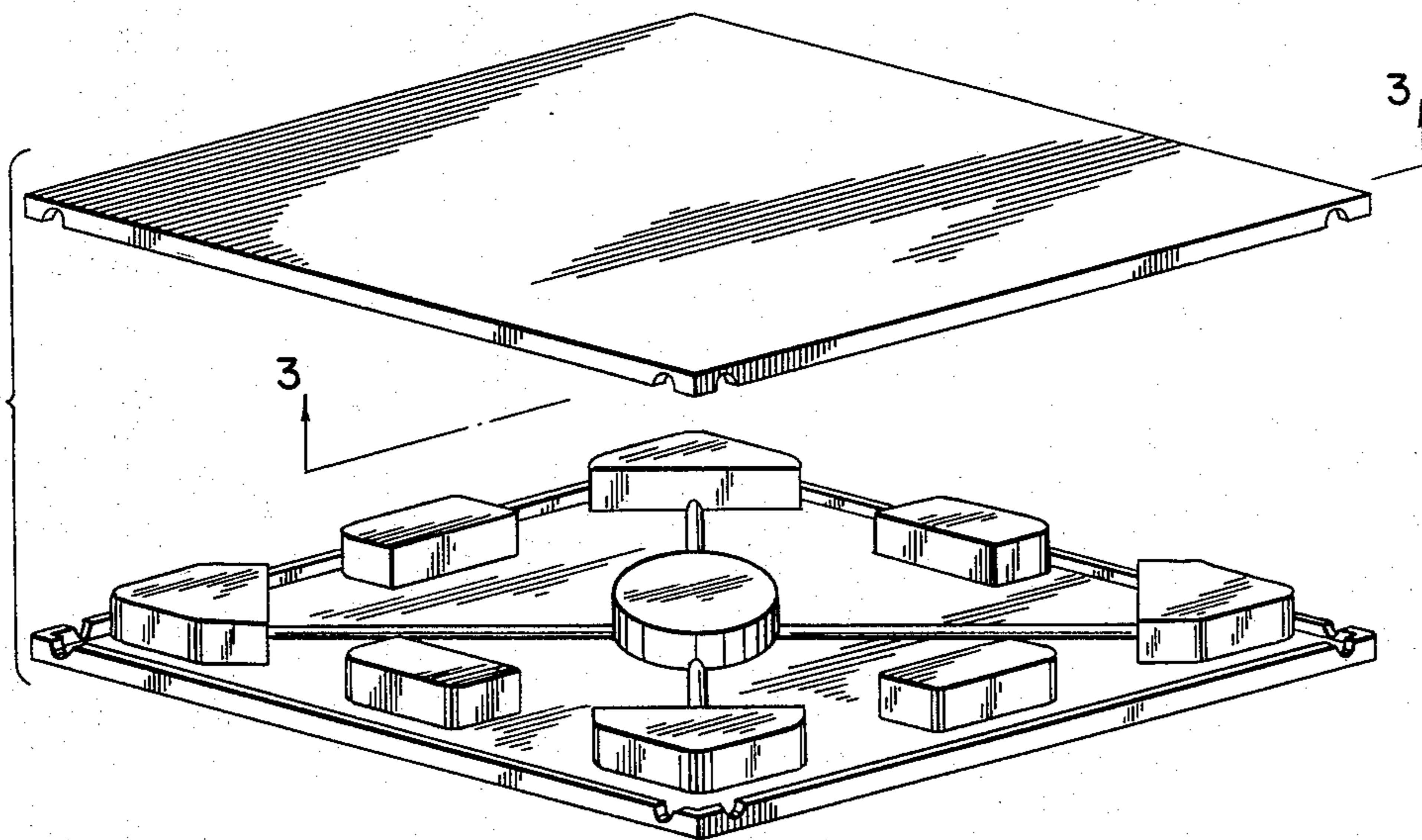
Primary Examiner—James M. Gandy  
Assistant Examiner—Kay H. Chin  
Attorney, Agent, or Firm—Bode & Smith

[57] CLAIM

The ornamental design for a pallet, as shown and described.

DESCRIPTION

FIG. 1 is a top perspective view of a pallet showing my new design;  
FIG. 2 is an exploded perspective view thereof;  
FIG. 3 is a view of the pallet of FIG. 2 taken along line 2—2.



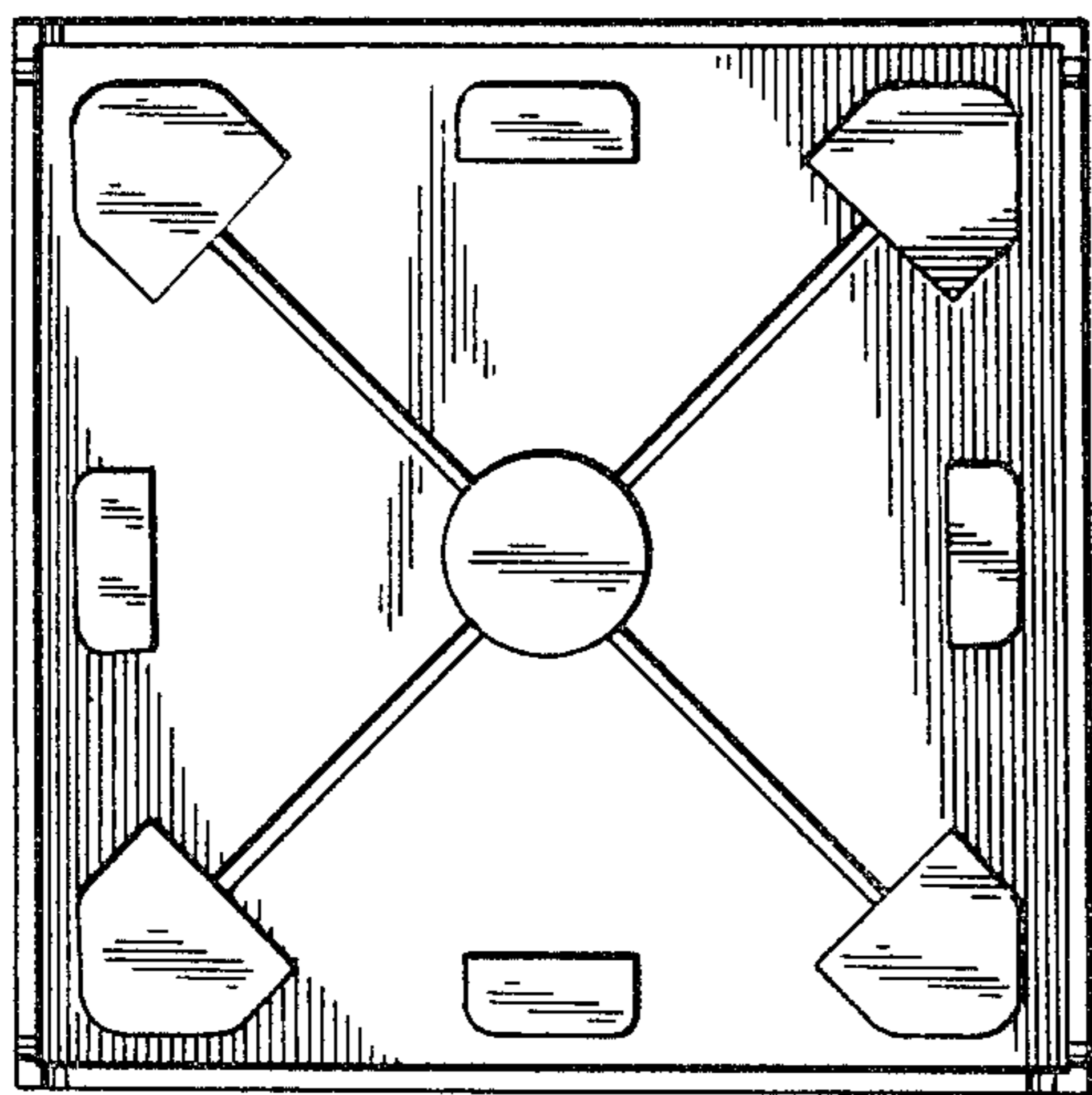


Fig. 3

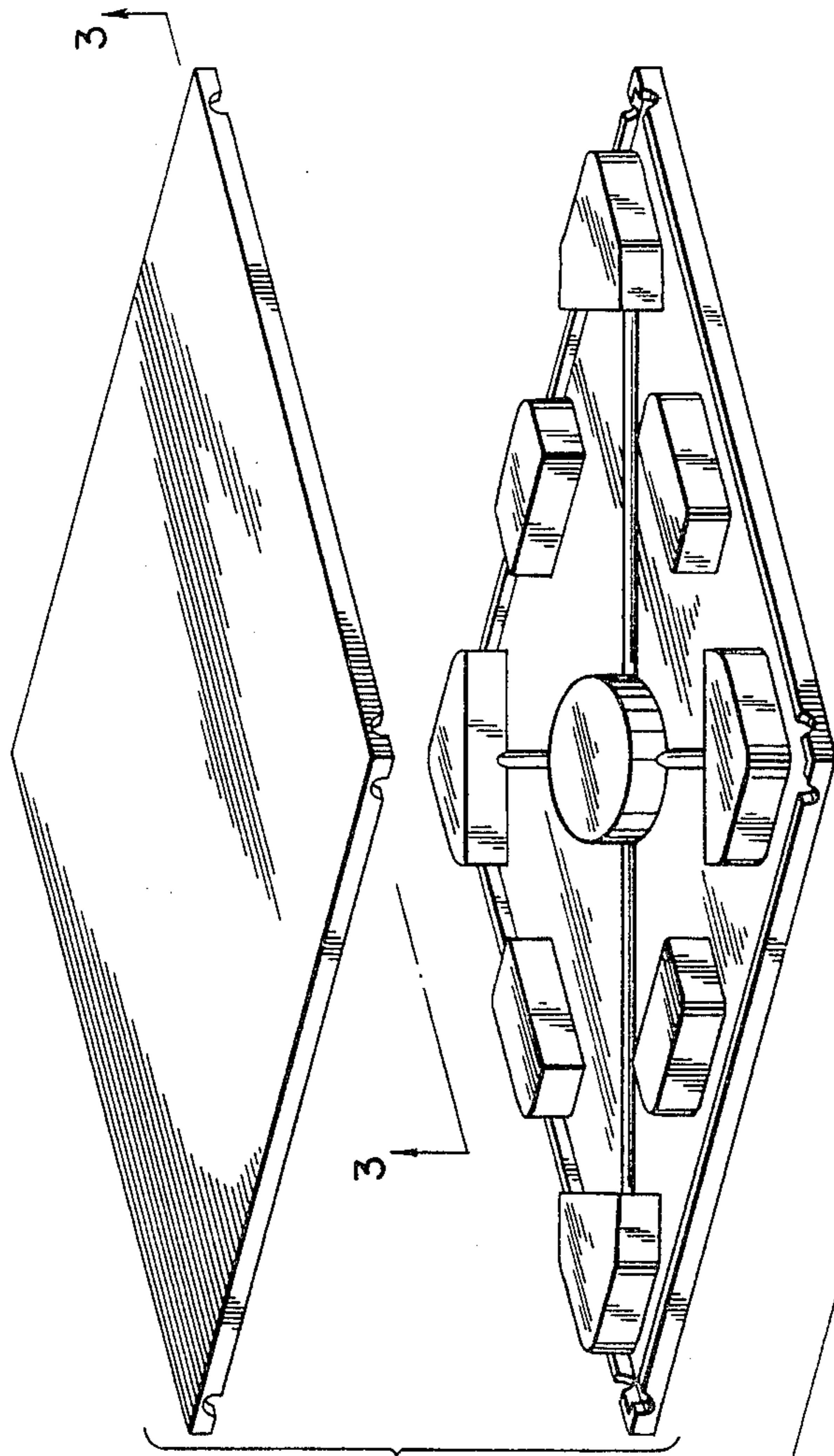


Fig. 2

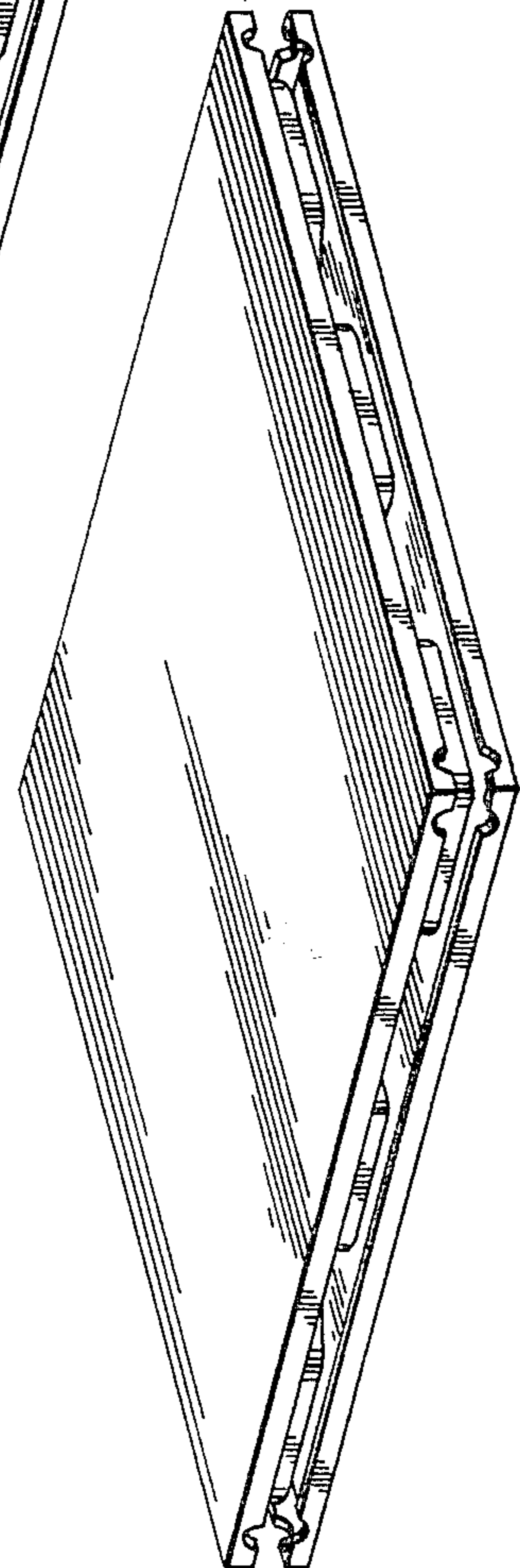


Fig. 1