

[54] EAR TAG FOR ANIMALS

[76] Inventor: Edward E. Dvorak, P.O. Box 79, Manning, N. Dak. 58642

[**] Term: 14 Years

[21] Appl. No.: 495,682

[22] Filed: May 18, 1983

[52] U.S. Cl. D30/43; 40/301

[58] Field of Search D30/43; 119/106; 40/300-303

[56] References Cited

U.S. PATENT DOCUMENTS

| | | | |
|-----------|--------|--------------------|--------|
| 344,241 | 6/1886 | Boyden et al. | 40/301 |
| 361,987 | 4/1887 | Clark | 40/301 |
| 1,376,223 | 4/1921 | Pannier | 40/301 |
| 2,940,199 | 6/1960 | Goldberg | 40/301 |
| 4,021,952 | 5/1977 | Brierley | 40/301 |
| 4,425,726 | 1/1984 | Dvorak | 40/301 |

FOREIGN PATENT DOCUMENTS

| | | | |
|--------|--------|--------------|--------|
| 330661 | 7/1903 | France | 40/301 |
|--------|--------|--------------|--------|

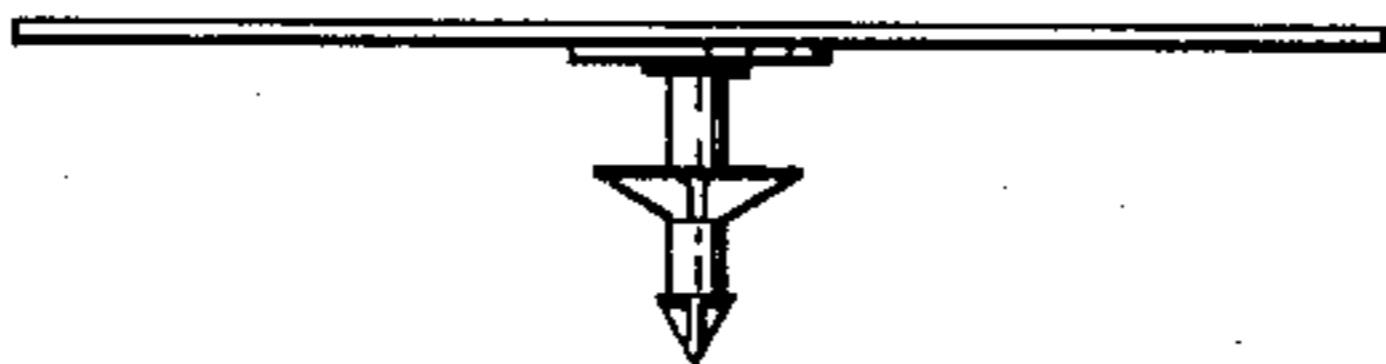
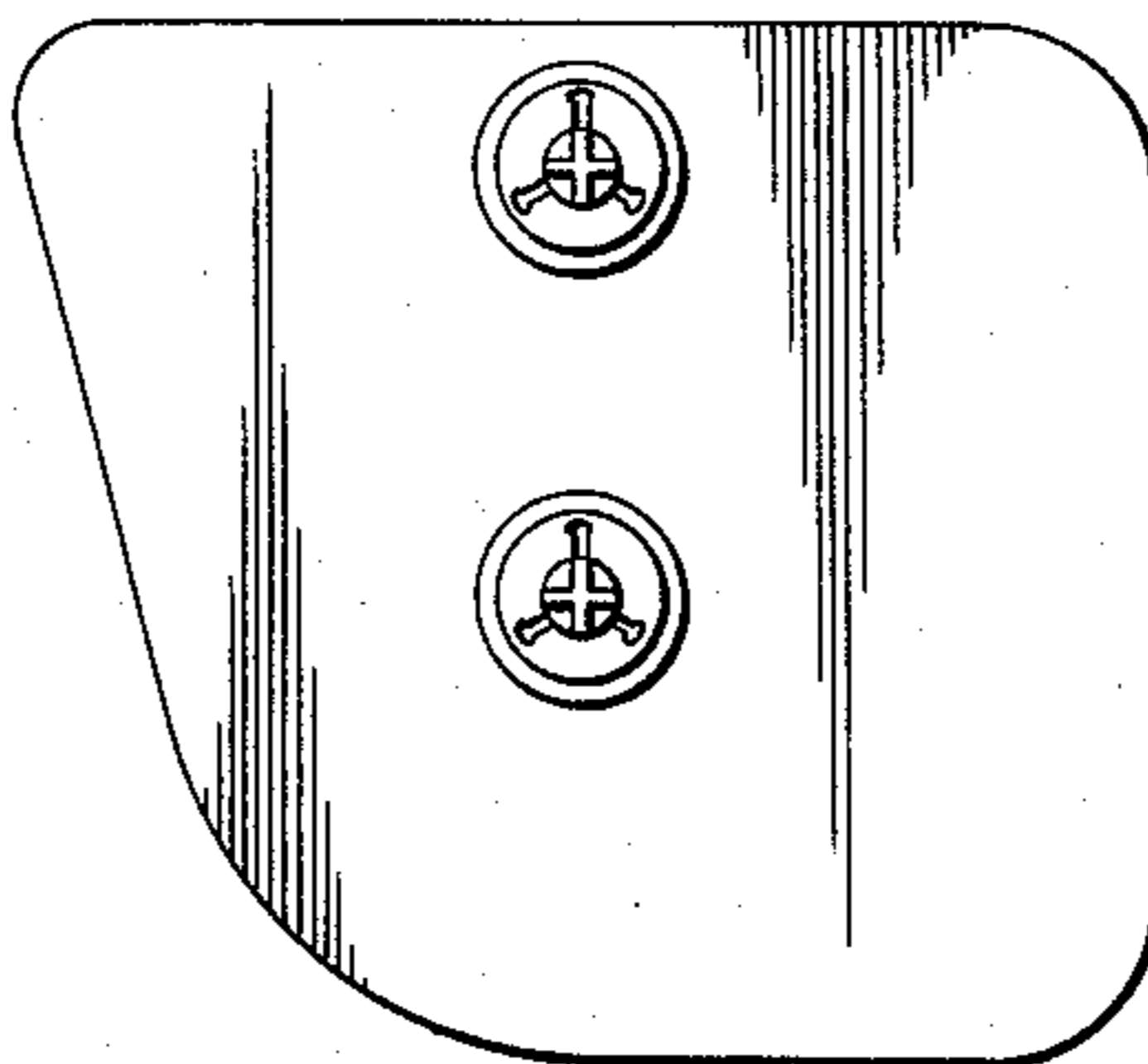
Primary Examiner—James R. Largen
Attorney, Agent, or Firm—Shlesinger, Arkwright,
Garvey & Fado

[57] CLAIM

The ornamental design for an ear tag for animals, as shown and described.

DESCRIPTION

FIG. 1 is a front elevational view of an ear tag for animals embodying my new design;
 FIG. 2 is a rear elevational view thereof;
 FIG. 3 is a top plan view thereof;
 FIG. 4 is a bottom plan view thereof;
 FIG. 5 is a side elevational view thereof;
 FIG. 6 is an elevational view taken from the side opposite that shown in FIG. 5;
 FIG. 7 is a front elevational view of a modified form of the ear tag for animals shown in FIG. 1;
 FIG. 8 is a rear elevational view of FIG. 7;
 FIG. 9 is a top plan view of FIG. 7;
 FIG. 10 is a bottom plan view of FIG. 7;
 FIG. 11 is a side elevational view of FIG. 7; and
 FIG. 12 is an elevational view taken from the side opposite that shown in FIG. 11.



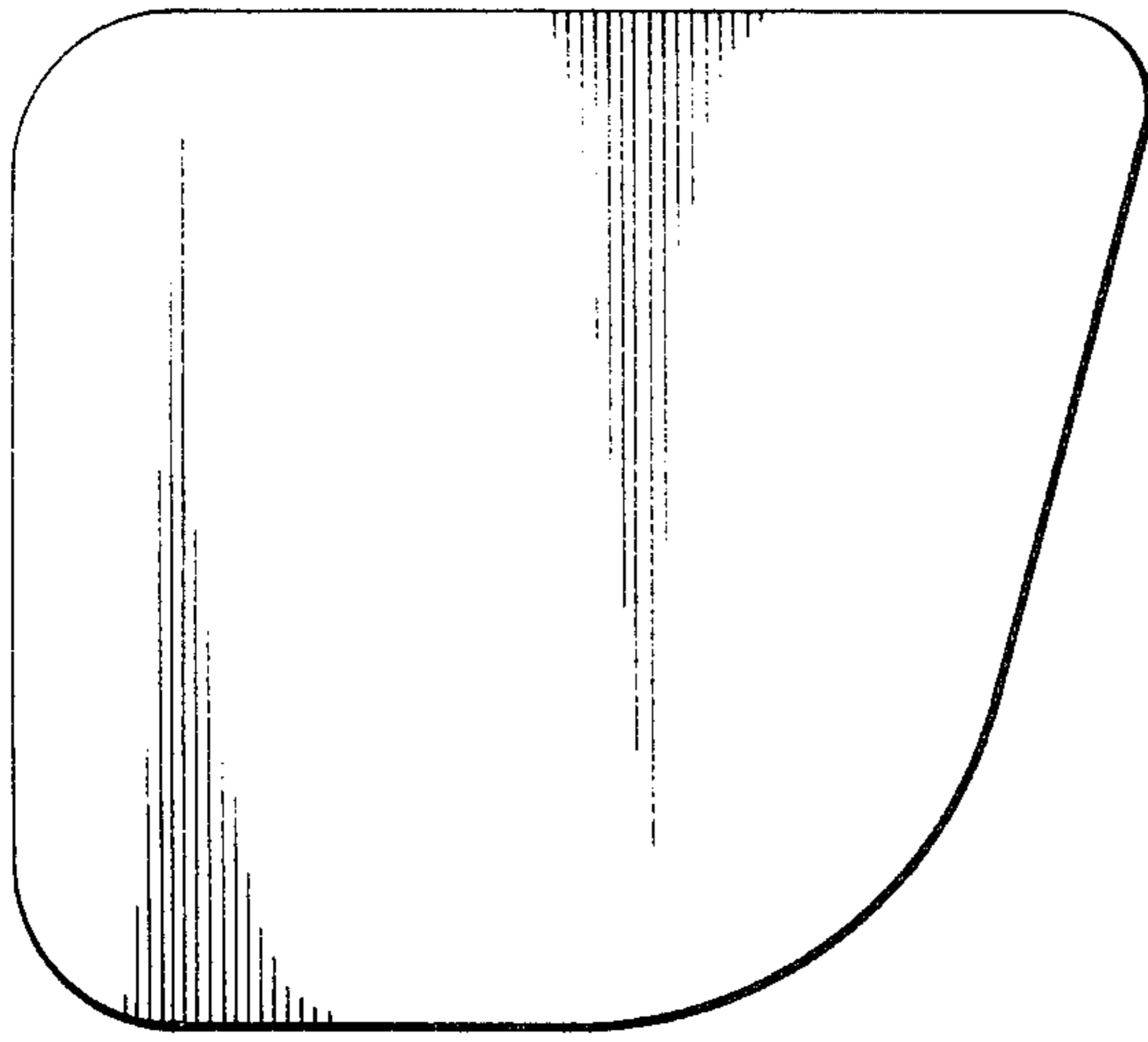


FIG 1

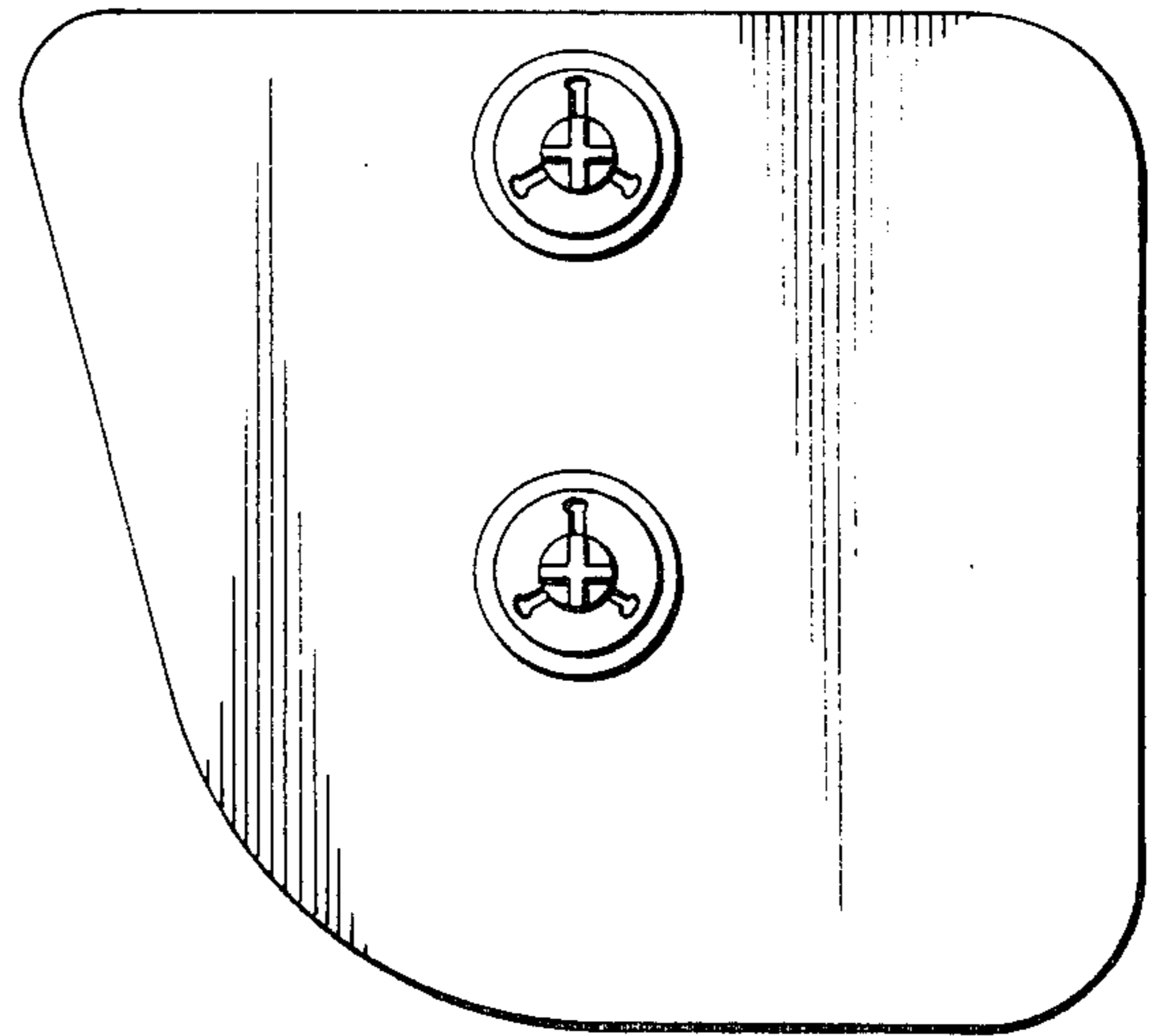


FIG 2

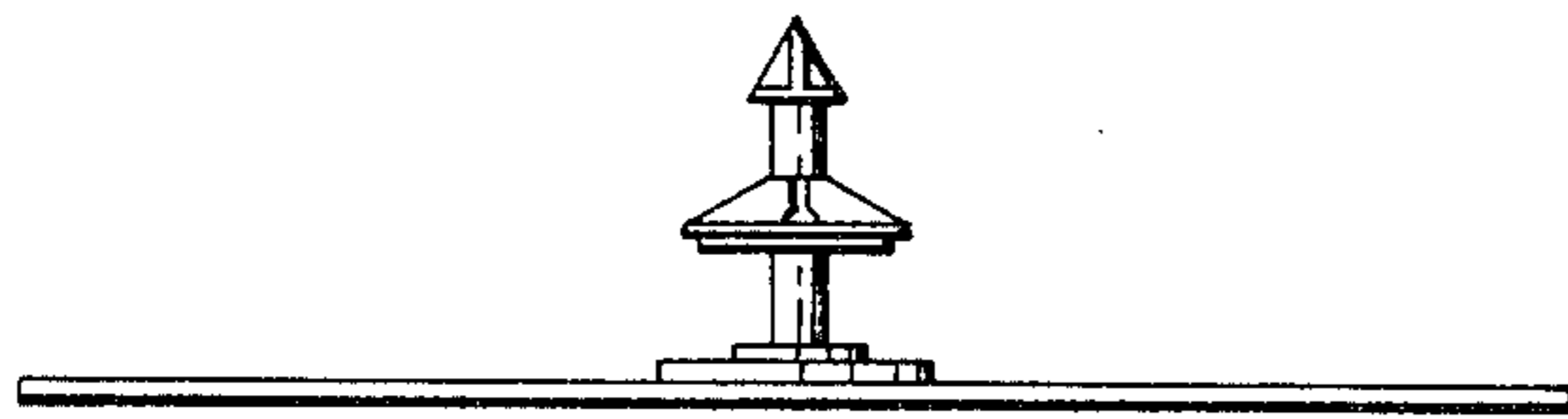


FIG 3

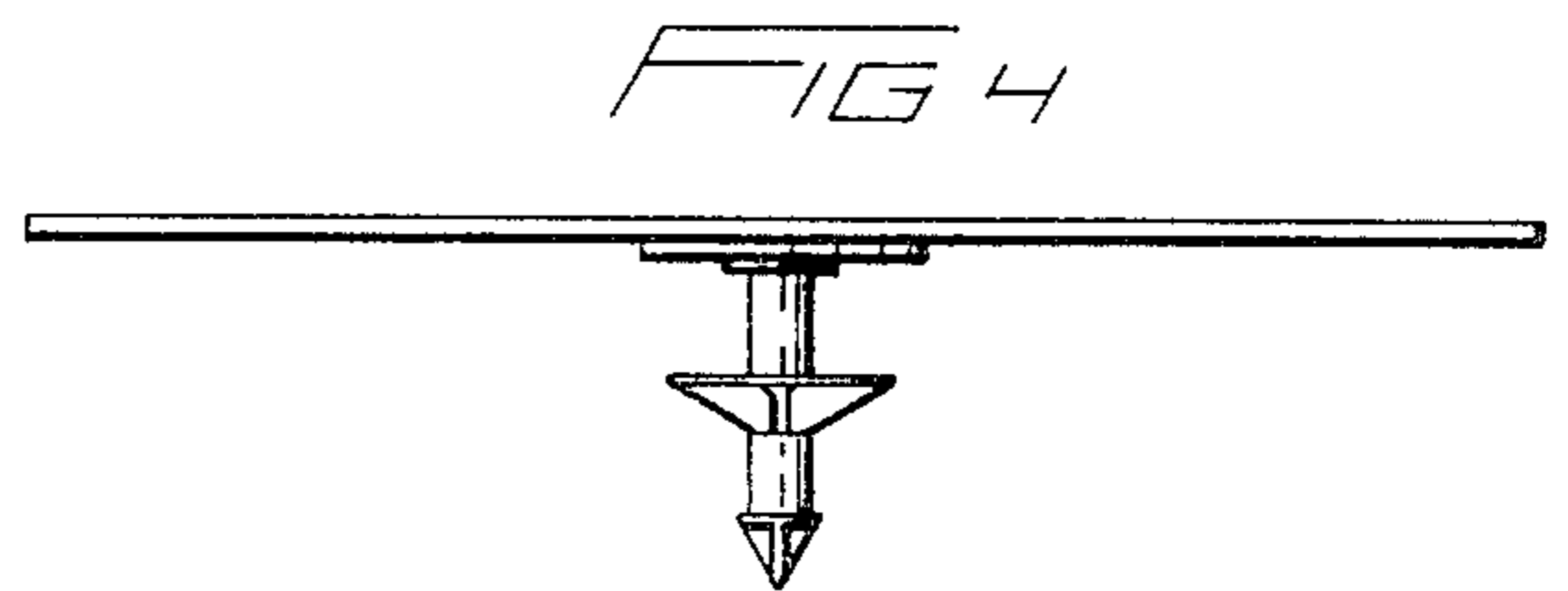


FIG 4

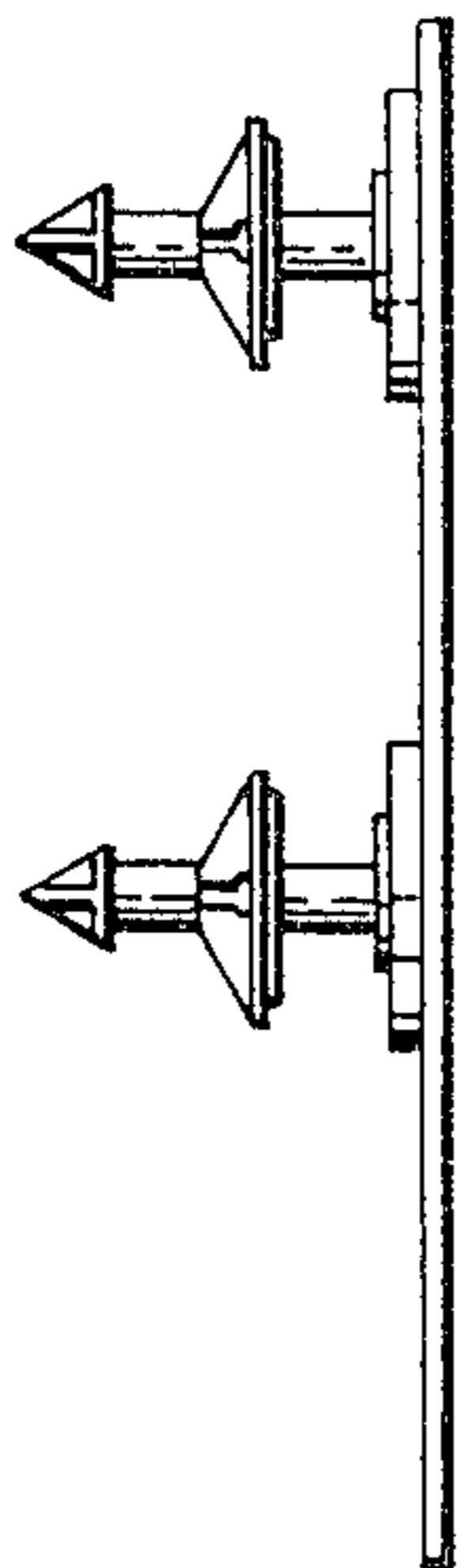


FIG 5

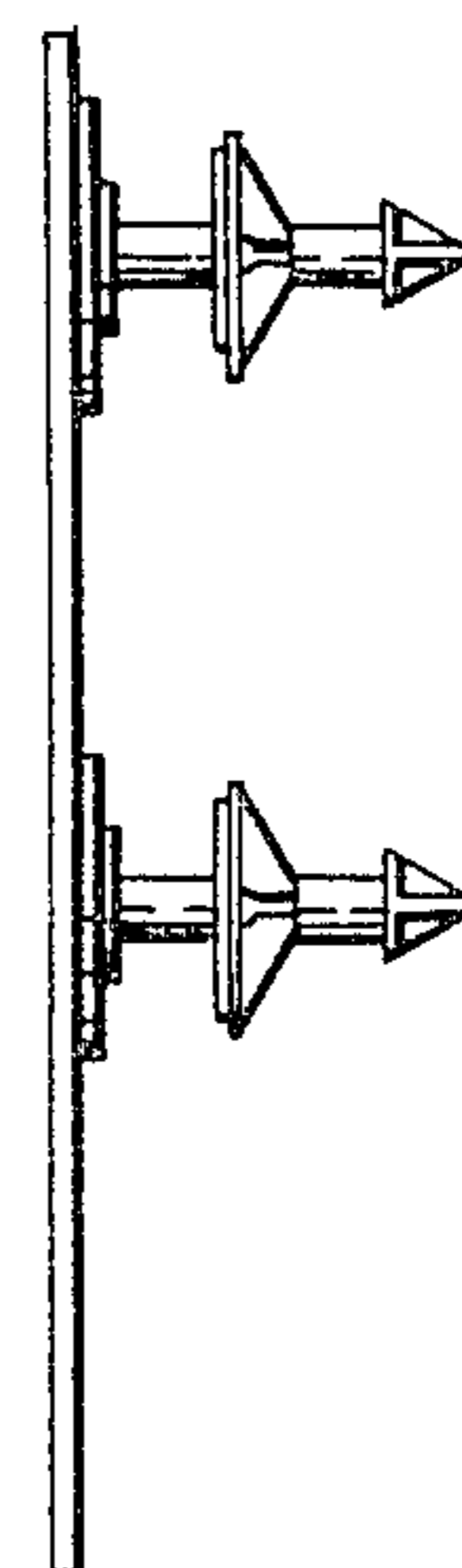


FIG 6

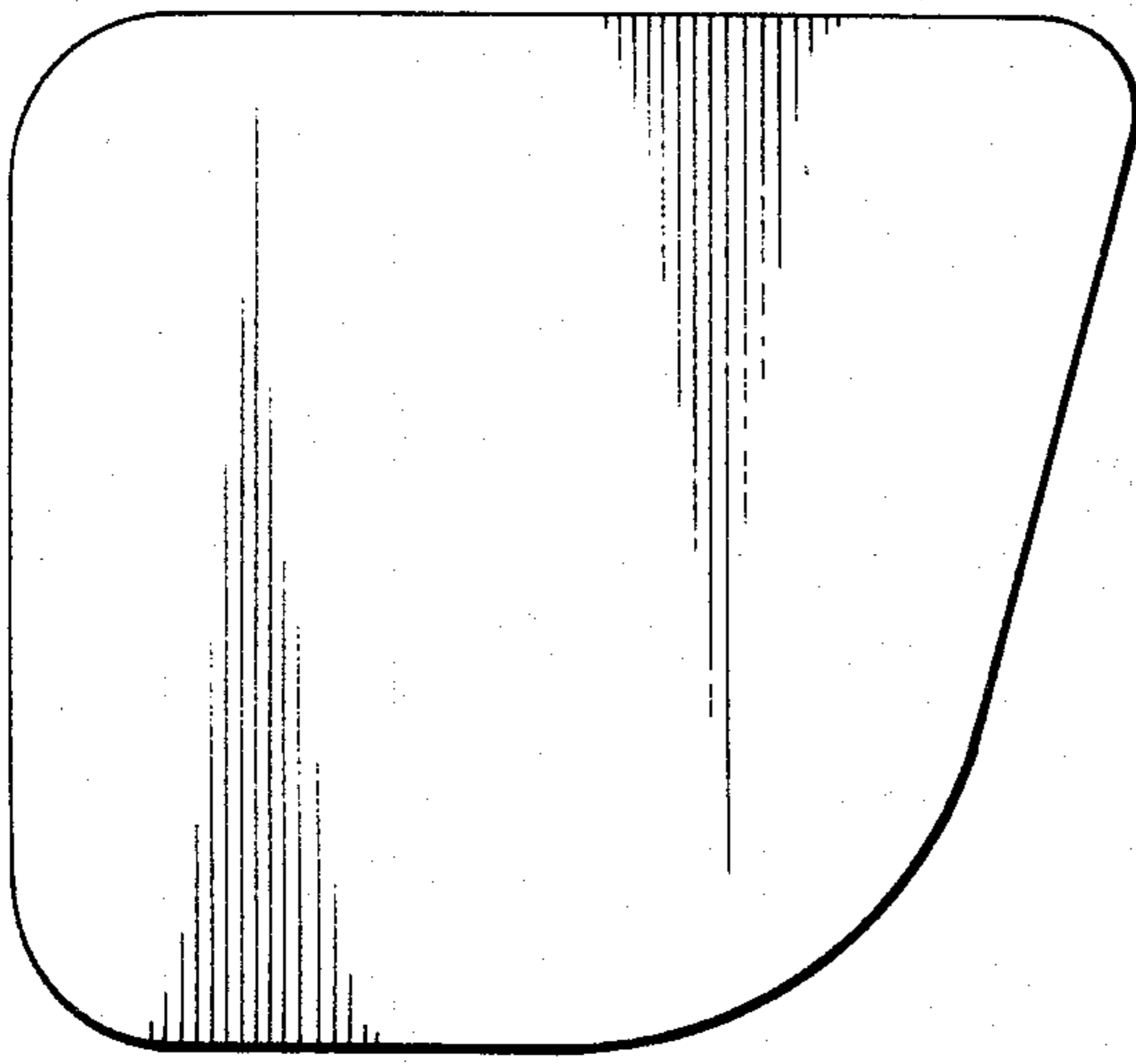


FIG 7

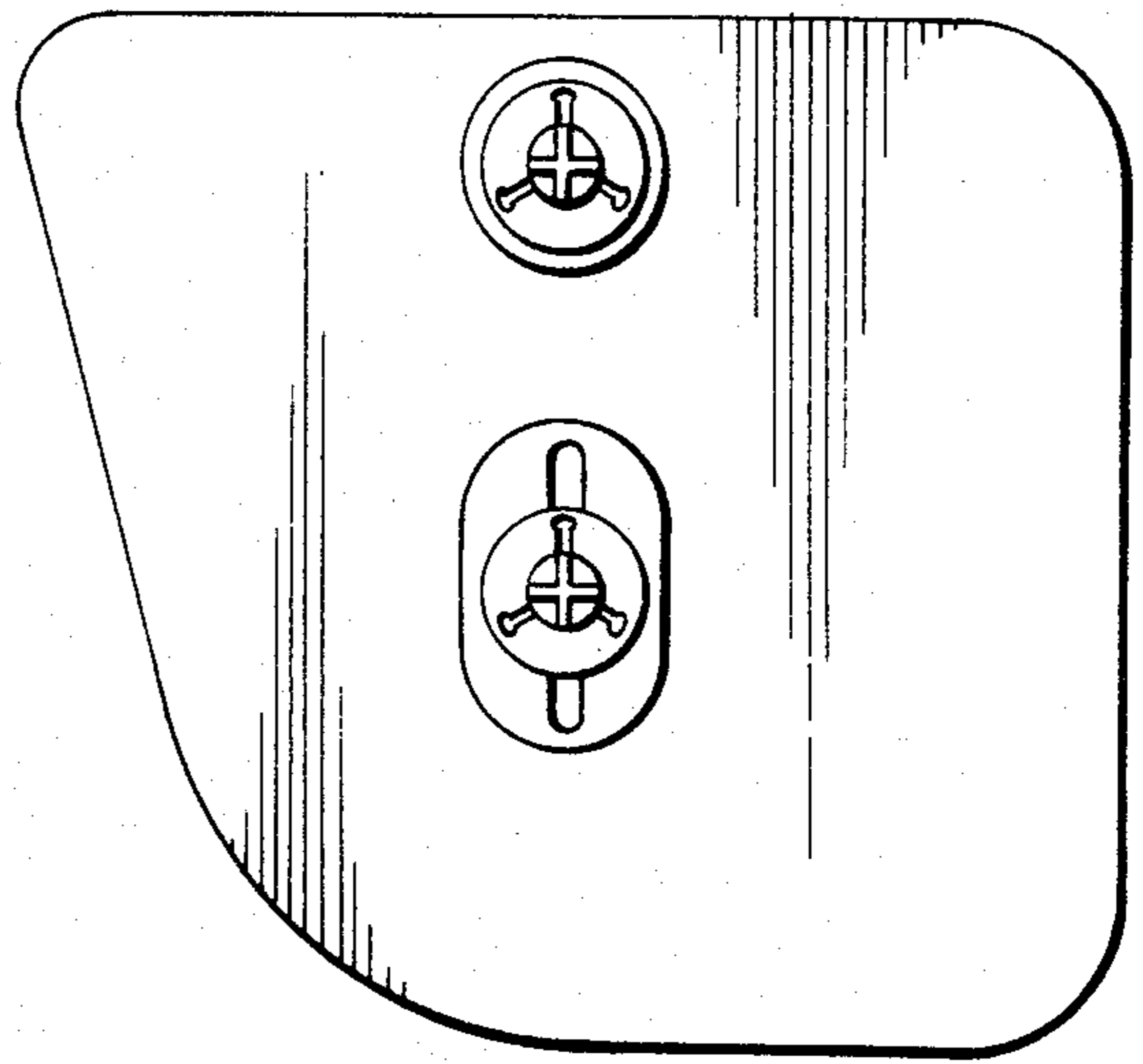


FIG 8

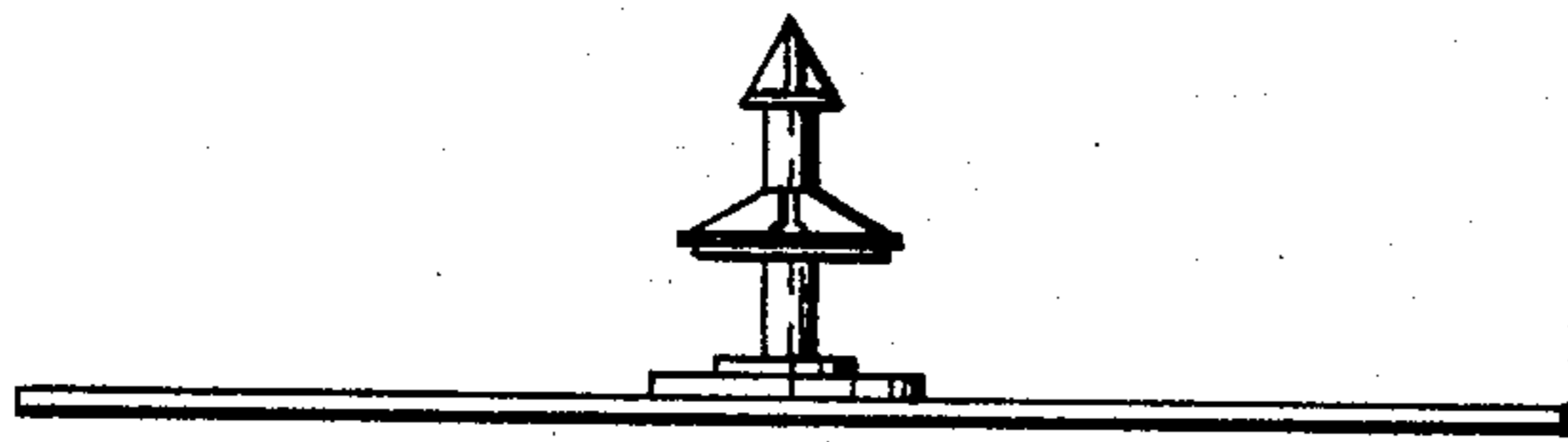


FIG 9

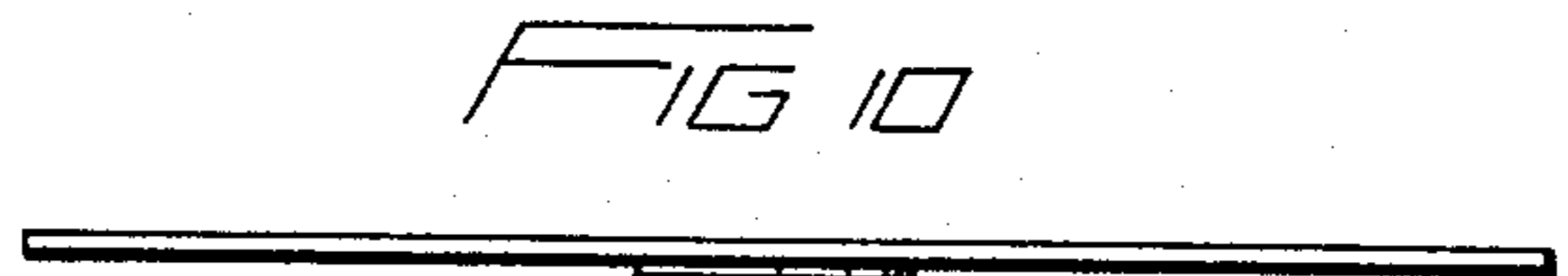


FIG 10

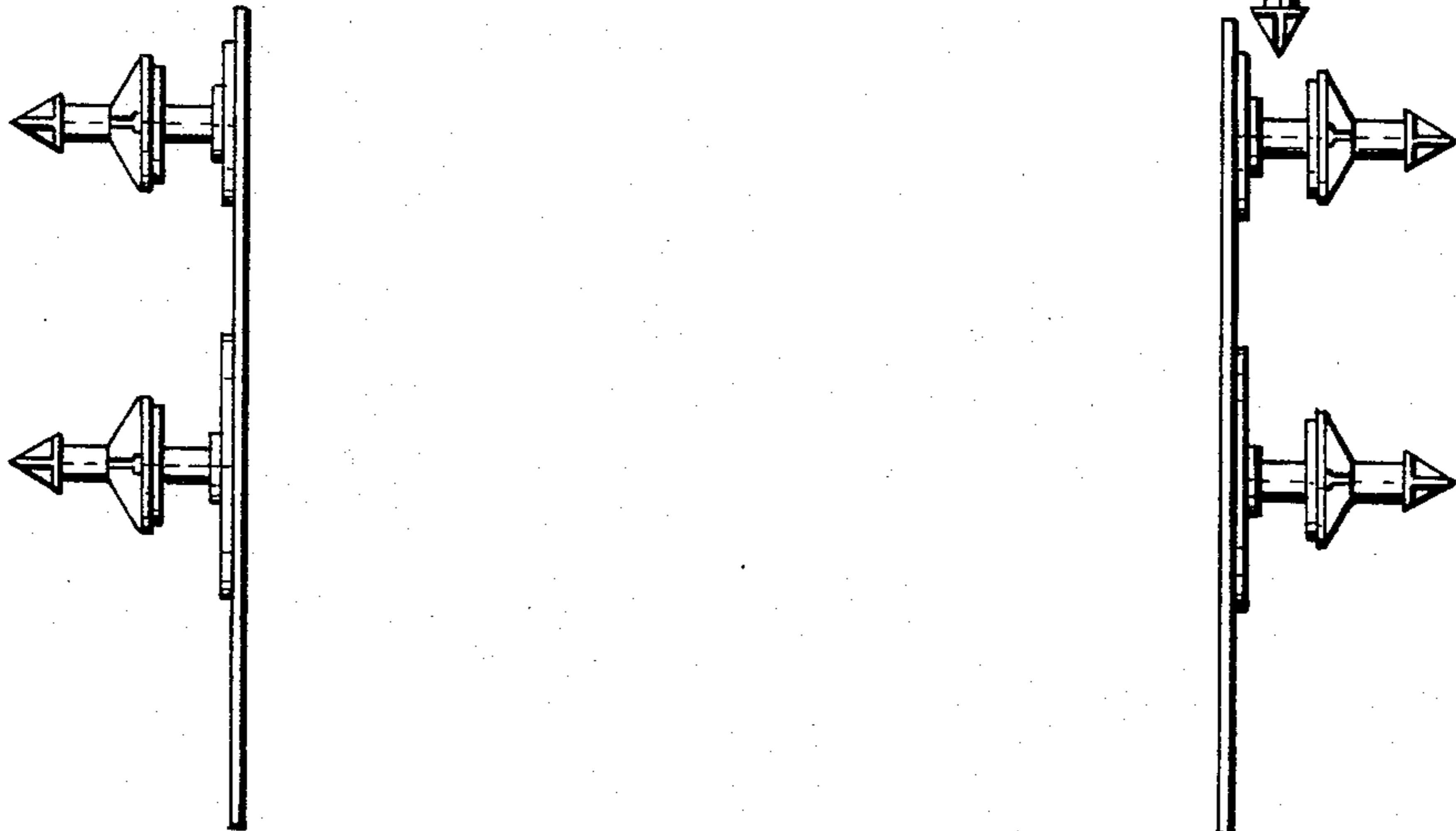


FIG 11

FIG 12