

[54] FINGERNAIL DRYER

[75] Inventor: May Fung, Hong Kong, Hong Kong

[73] Assignee: Etna Products Co., Inc., New York, N.Y.

[**] Term: 14 Years

[21] Appl. No.: 663,490

[22] Filed: Oct. 22, 1984

[30] Foreign Application Priority Data

Jun. 22, 1984 [GB] United Kingdom 1020456

[52] U.S. Cl. D28/58

[58] Field of Search D28/9, 10, 12, 15, 57, D28/58, 61, 62, 99; 34/202; 132/73, 73.5, 73.6, 75, 75.3, 75.8; D23/74

[56] References Cited

U.S. PATENT DOCUMENTS

D. 104,491	5/1937	Boggs	D28/58
D. 113,643	3/1939	Von	D28/58
D. 123,781	12/1940	Kisling	D28/58
D. 193,126	6/1962	Bradbury	D28/58
D. 253,244	10/1979	Aroa	D23/74
D. 265,514	7/1982	Abe et al.	D28/12
D. 272,101	1/1984	Abe et al.	D28/12
D. 277,323	1/1985	Raicevic	D28/58

2,490,019	12/1949	Elliot	D28/57 X
2,673,402	3/1954	Chambers	D28/61 X
3,287,824	11/1966	Selditz	34/202
3,730,191	5/1973	Doornbos	D28/58 X
3,864,847	2/1975	Friedman et al.	34/202
3,930,320	1/1976	Henderson	D28/58 X
4,193,209	3/1980	Lovison	34/202
4,206,556	6/1980	Sabo et al.	D28/58 X
4,255,871	3/1981	Sigman	34/202
4,464,906	8/1984	Outlaw	34/202
4,478,232	10/1984	Yasuda	132/73.6

Primary Examiner—Louis S. Zarfes

Attorney, Agent, or Firm—Ostrolenk, Faber, Gerb & Soffen

[57] CLAIM

The ornamental design for fingernail dryer, as shown and described.

DESCRIPTION

FIG. 1 is a perspective view of a fingernail dryer showing my new design;
 FIG. 2 is a front view thereof;
 FIG. 3 is a rear view thereof;
 FIG. 4 is a top view thereof;
 FIG. 5 is a left side view thereof, it being understood that the right side is a mirror image thereof; and
 FIG. 6 is a bottom view thereof.

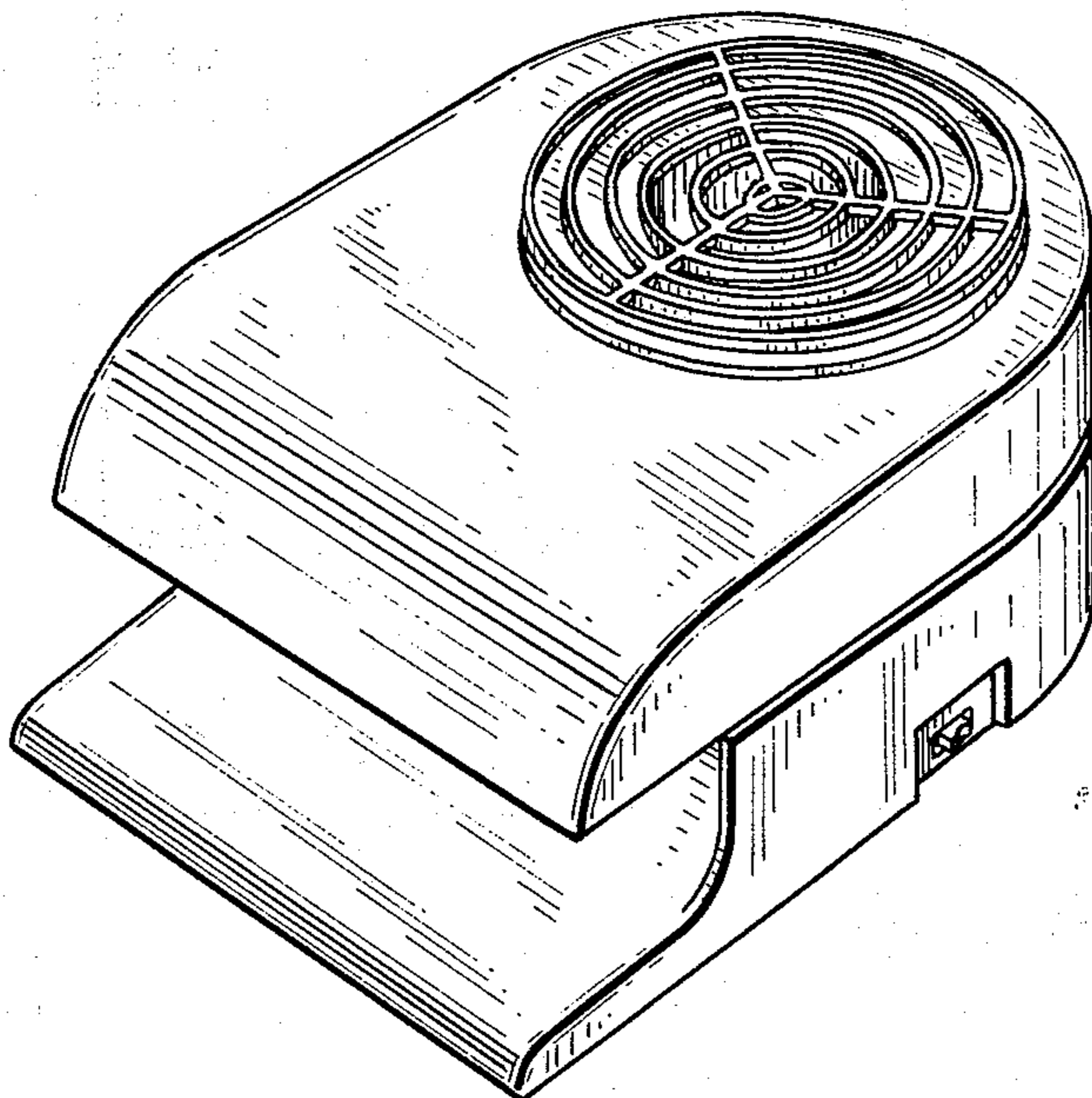


FIG. 1.

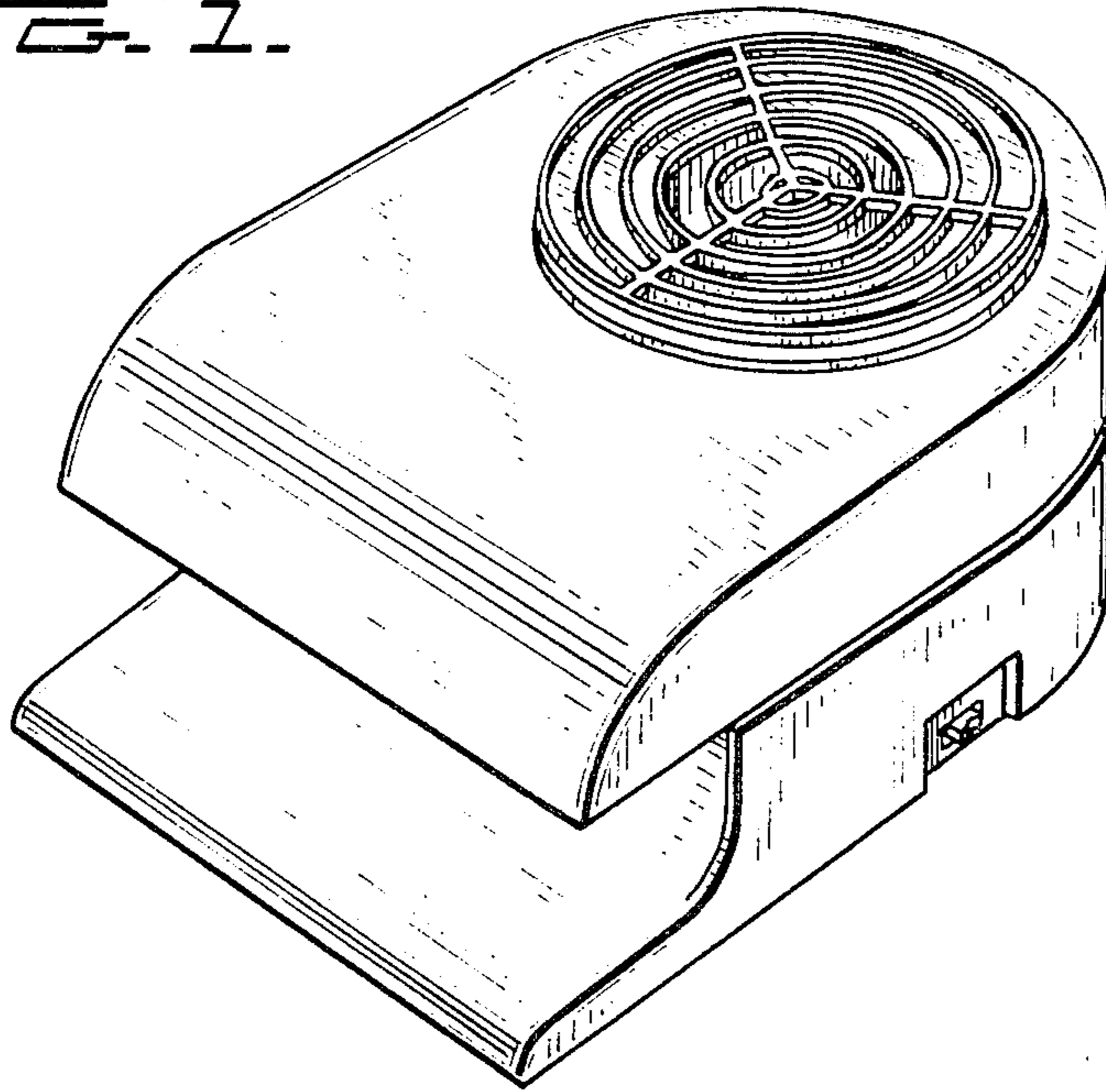


FIG. 2.

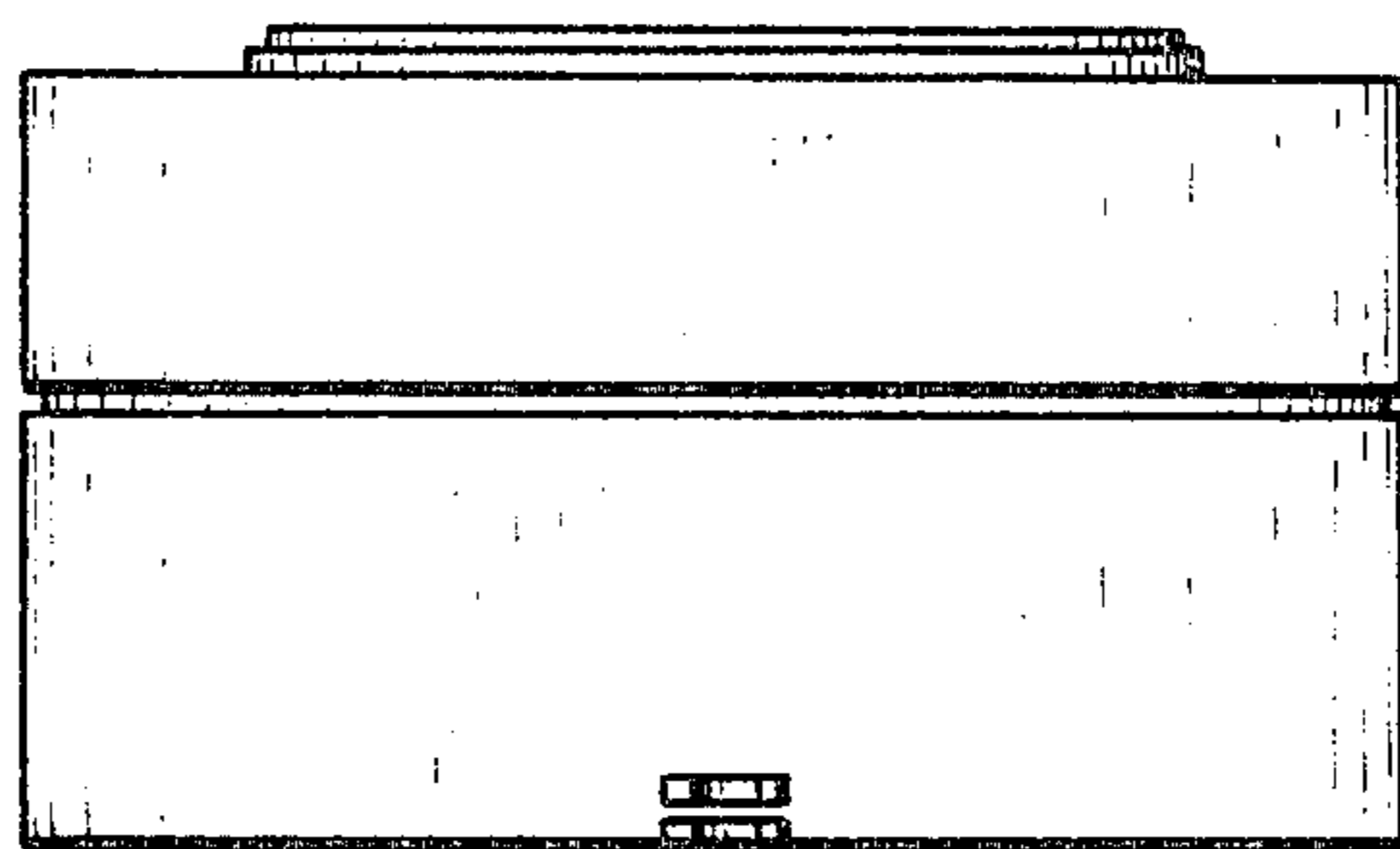
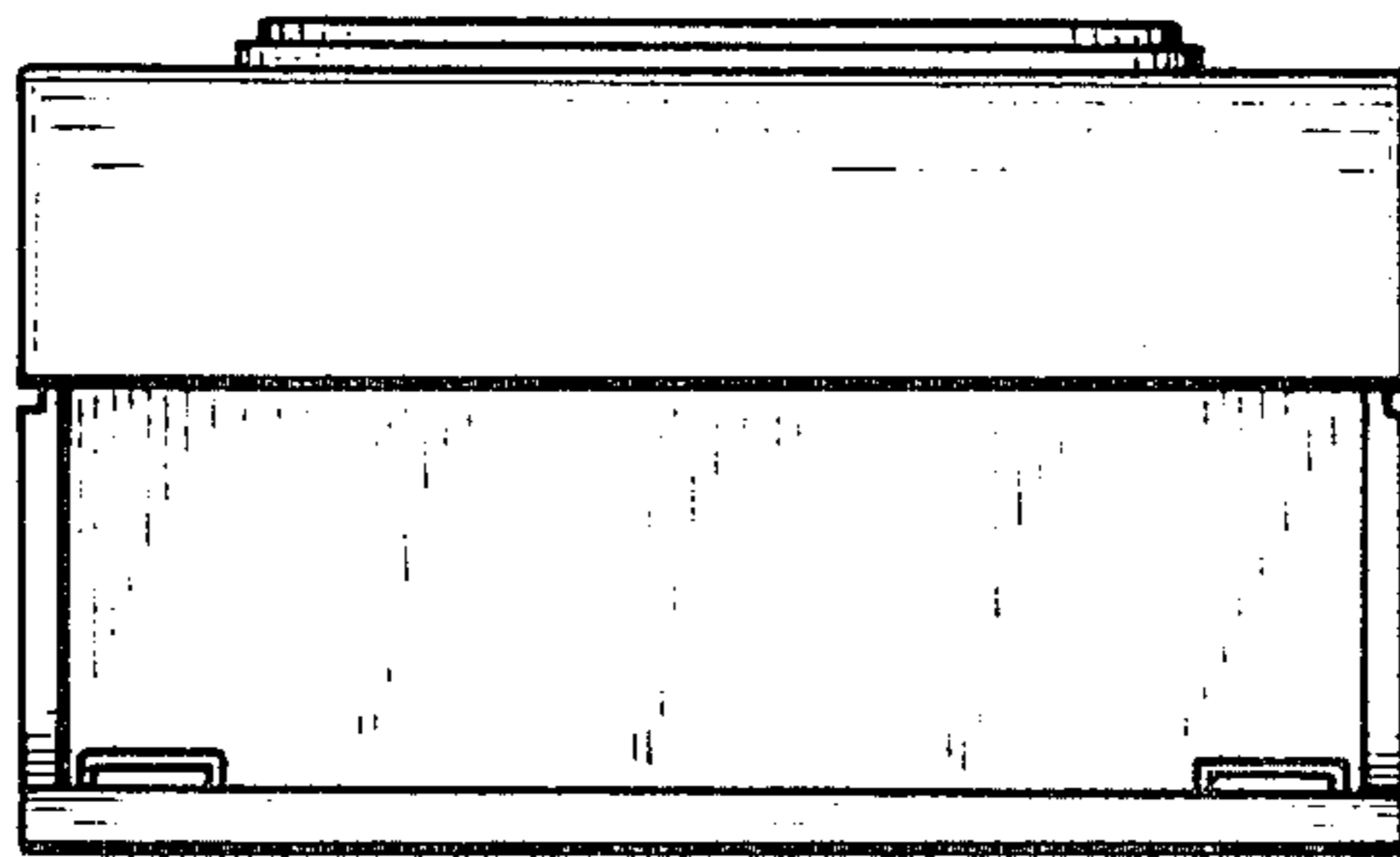


FIG. 3.

FIG. 4.

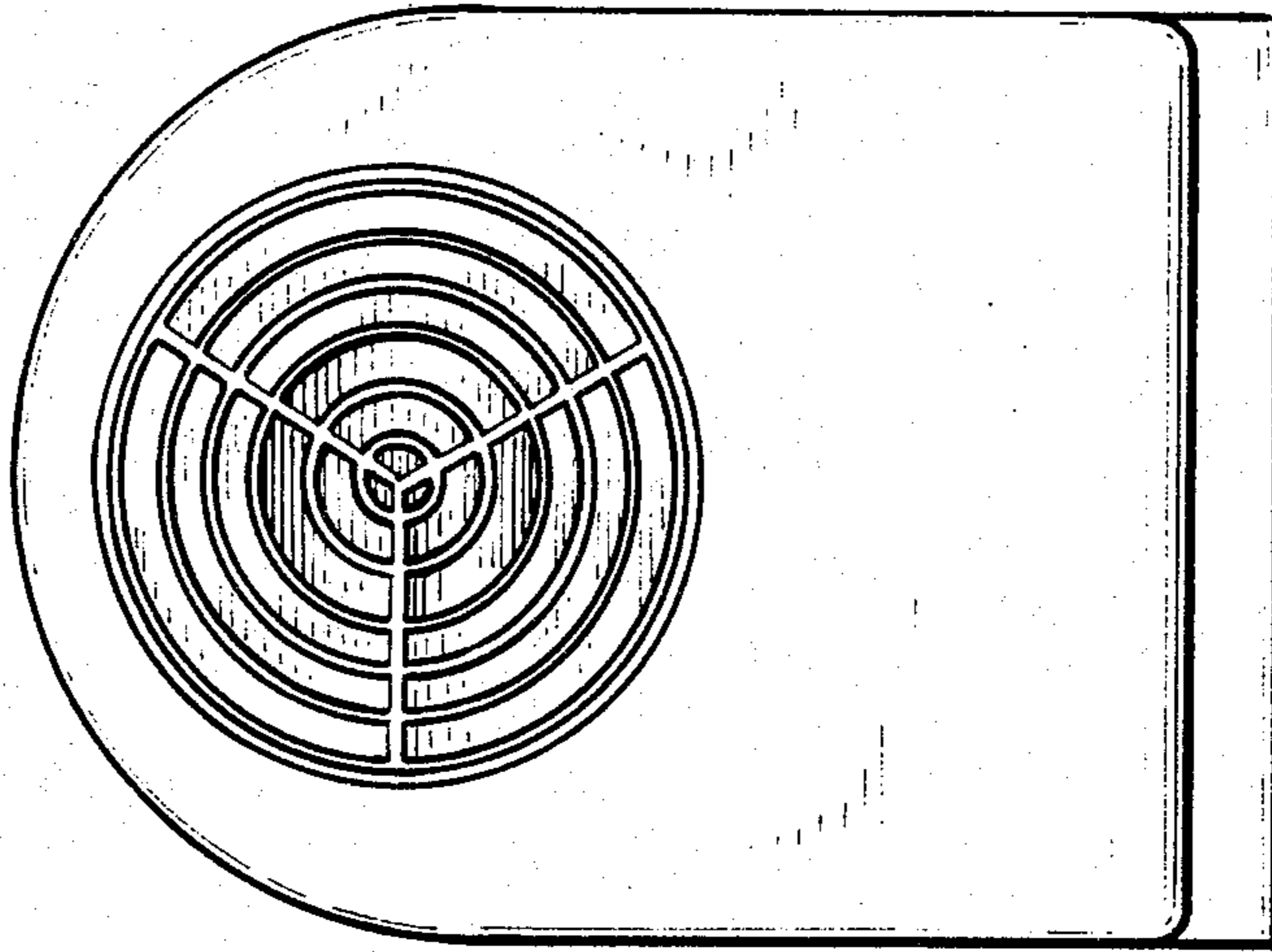


FIG. 5.

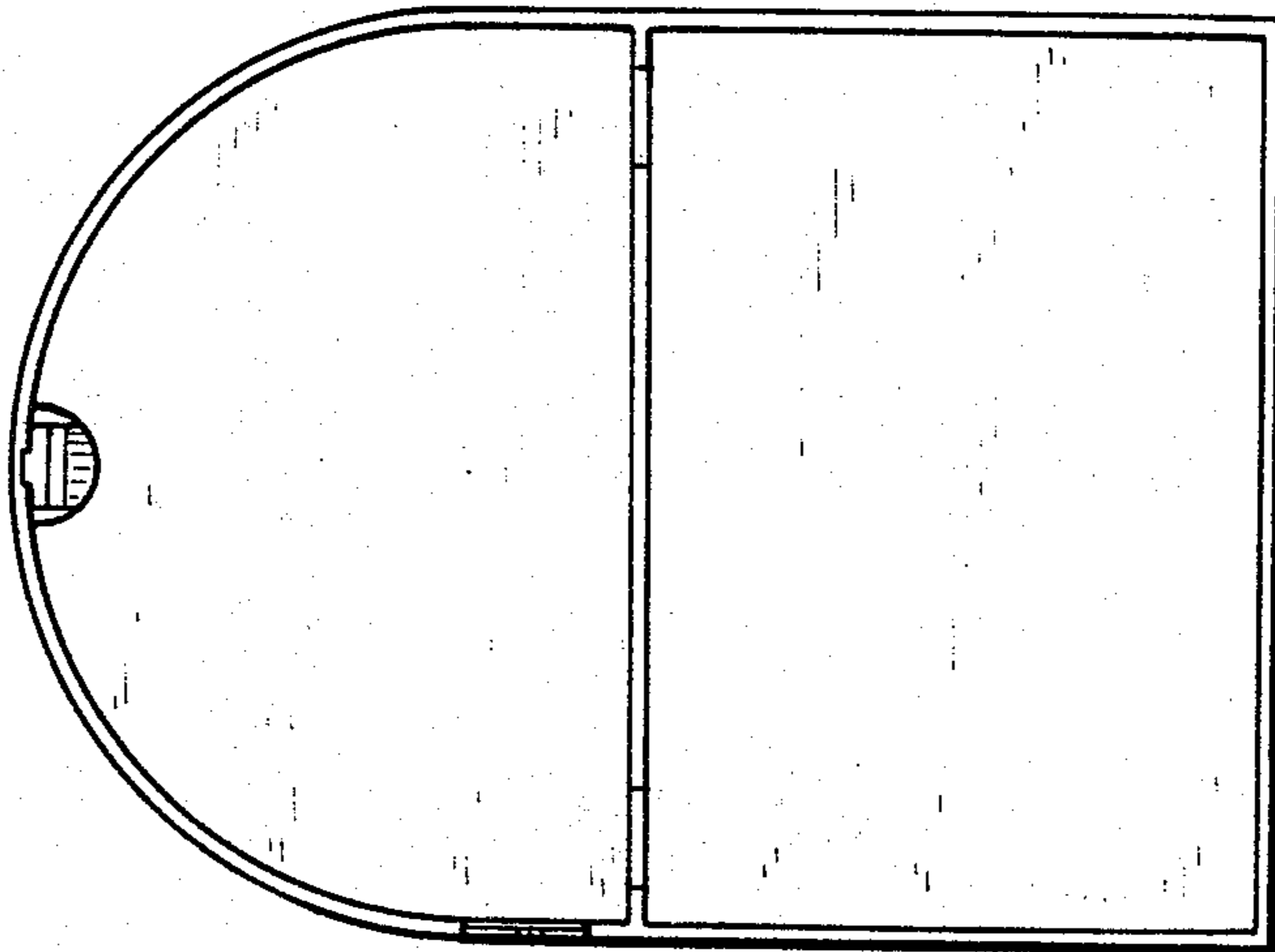
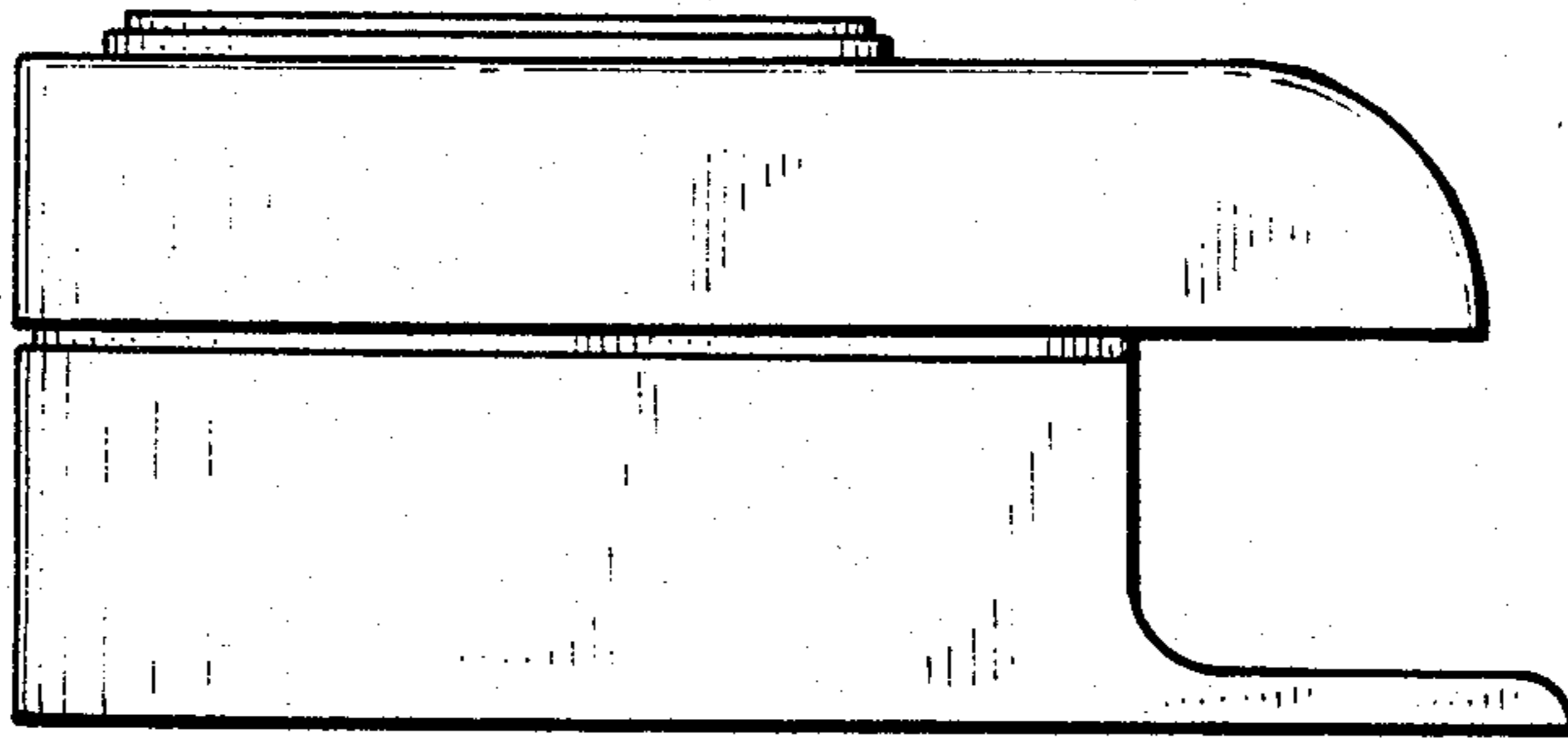


FIG. 6.