

[54] COMBINED SMOKE GASKET AND INTUMESCENT EXPANDING SEAL DEVICE FOR SLIDING ELEVATOR DOORS AND THE LIKE

[76] Inventor: George A. Allen, Jr., 3601 Old Gun Rd., Midlothian, Va. 23113

[**] Term: 14 Years

[21] Appl. No.: 444,687

[22] Filed: Nov. 23, 1982

[52] U.S. Cl. D25/74

[58] Field of Search D25/48, 52, 74-77; 49/475, 493, 504; 52/232, 204

[56] References Cited

U.S. PATENT DOCUMENTS

3,964,214	6/1976	Wendt	52/232 X
4,045,930	9/1977	Dixon	52/232
4,144,688	3/1979	Dixon	49/504 X

4,307,543	12/1981	Schulthess	49/504 X
4,376,354	3/1983	Passovoy	49/504

Primary Examiner—A. Hugo Word
Attorney, Agent, or Firm—Mason, Fenwick & Lawrence

[57] CLAIM

The ornamental design for a combined smoke gasket and intumescent expanding seal device for elevator doors and the like, as shown and described.

DESCRIPTION

FIG. 1 is a front perspective view, viewed from above, of a combined smoke gasket and intumescent expanding seal device for elevator doors and the like, embodying my new design;

FIG. 2 is a rear perspective view thereof; and

FIG. 3 is a horizontal section view taken along the line 3—3 of FIG. 1. A bottom view of the seal device corresponds substantially to the mirror image of the top thereof seen in FIGS. 1 and 2.

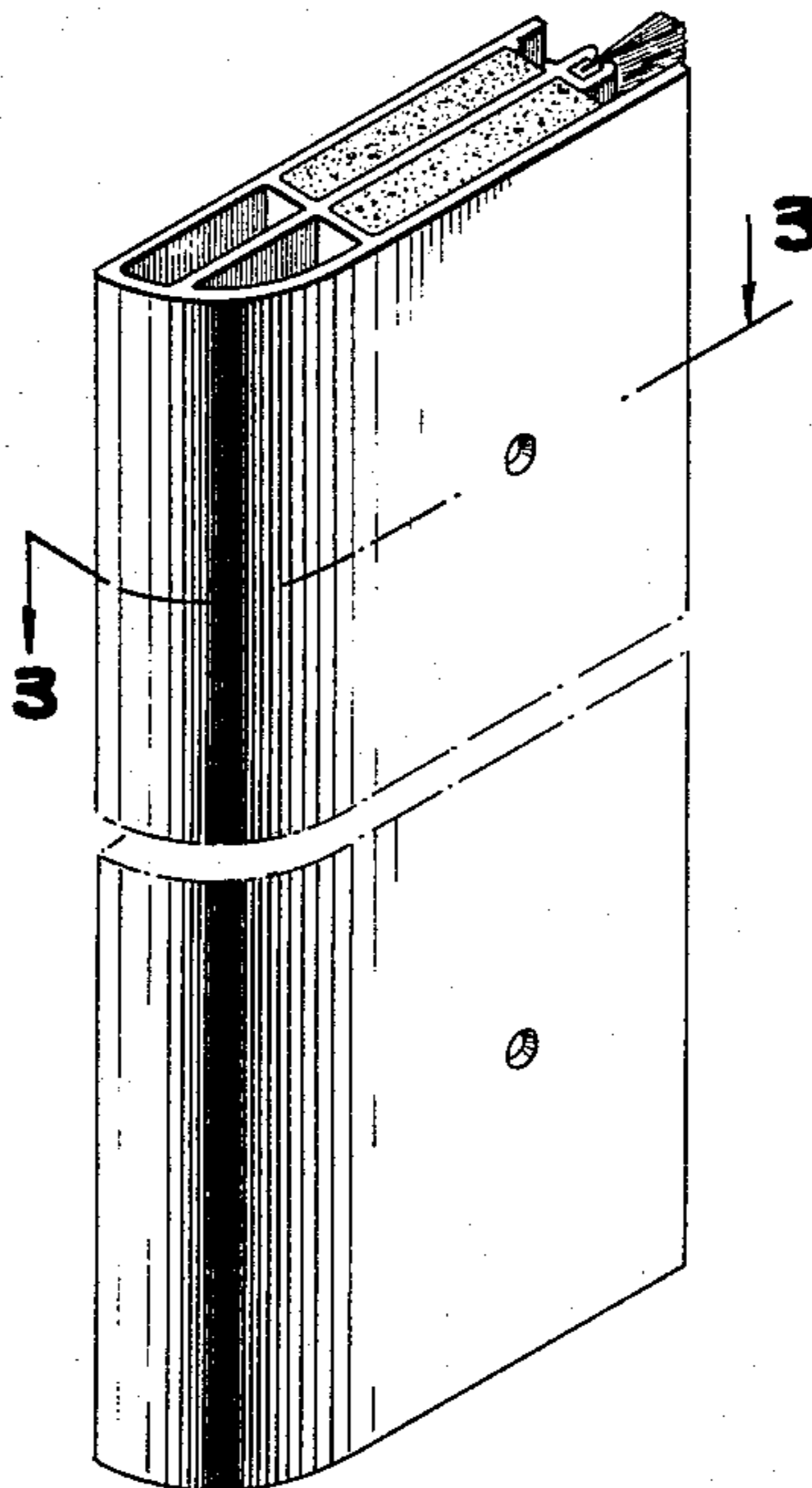


Fig-1

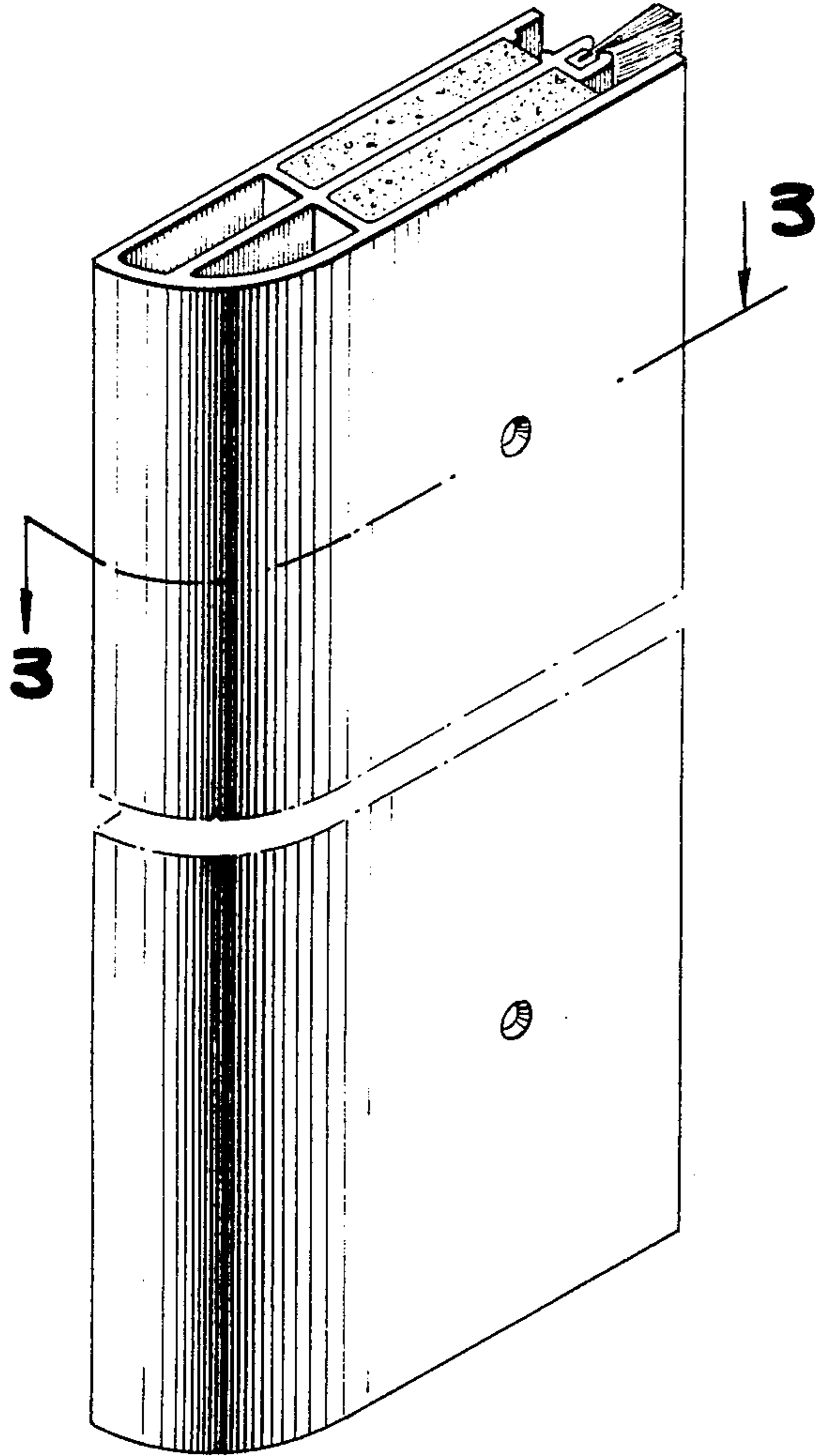


Fig-2

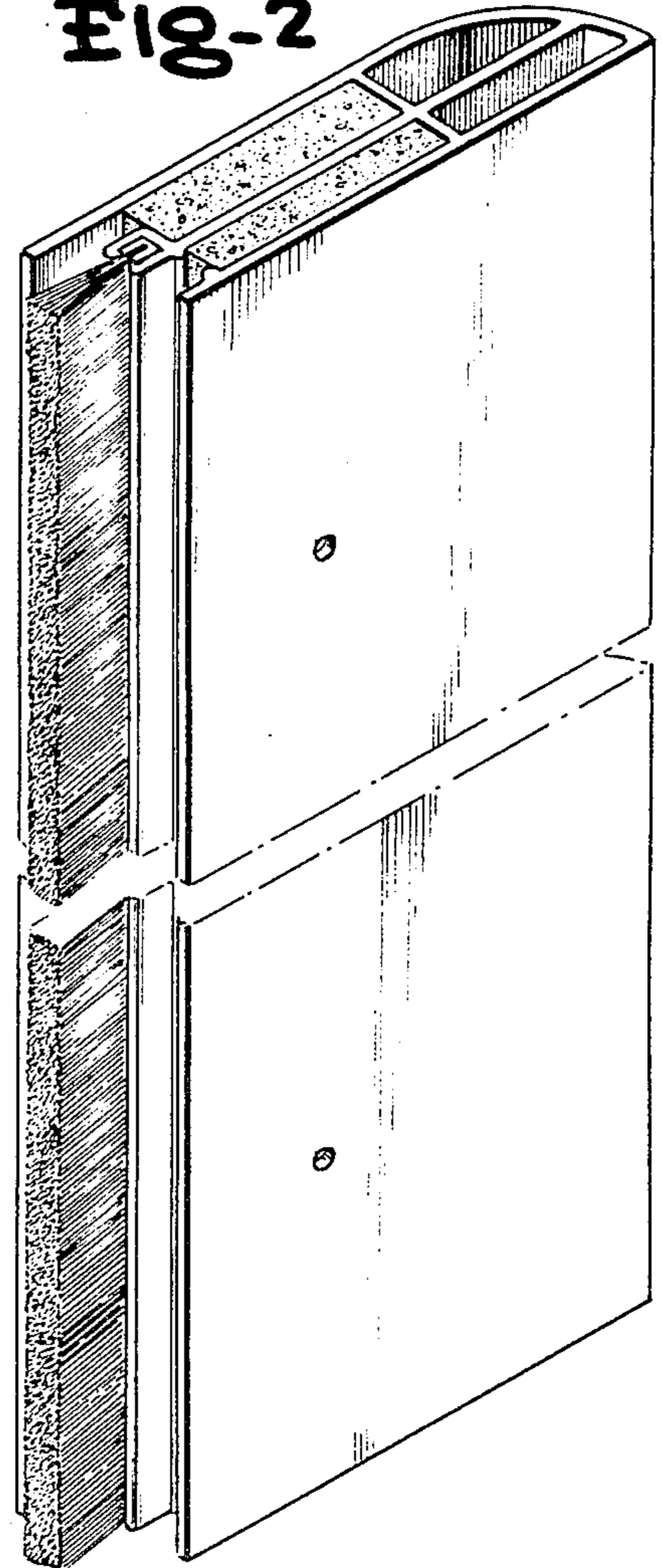


Fig-3

