

[54] PUTTING GUIDE GOLF CLUB ATTACHMENT

[76] Inventor: Helen V. Neumunz, 961 Soldier Hill Rd., Oradell, N.J. 07649

[**] Term: 14 Years

[21] Appl. No.: 513,321

[22] Filed: Jul. 13, 1983

[52] U.S. Cl. D21/221

[58] Field of Search D21/221, 234, 217-219; 273/163 R, 164

[56] References Cited

U.S. PATENT DOCUMENTS

D. 208,984	10/1967	Hvelsman et al.	D21/217
1,678,750	7/1928	Swan	273/164
2,670,209	2/1954	Fay	D21/221

Primary Examiner—Melvin B. Feifer

Attorney, Agent, or Firm—Shlesinger, Arkwright, Garvey & Fado

[57] CLAIM

The ornamental design for a putting guide golf club attachment, as shown and described.

DESCRIPTION

FIG. 1 is a perspective view of a putting guide golf club attachment showing my design;

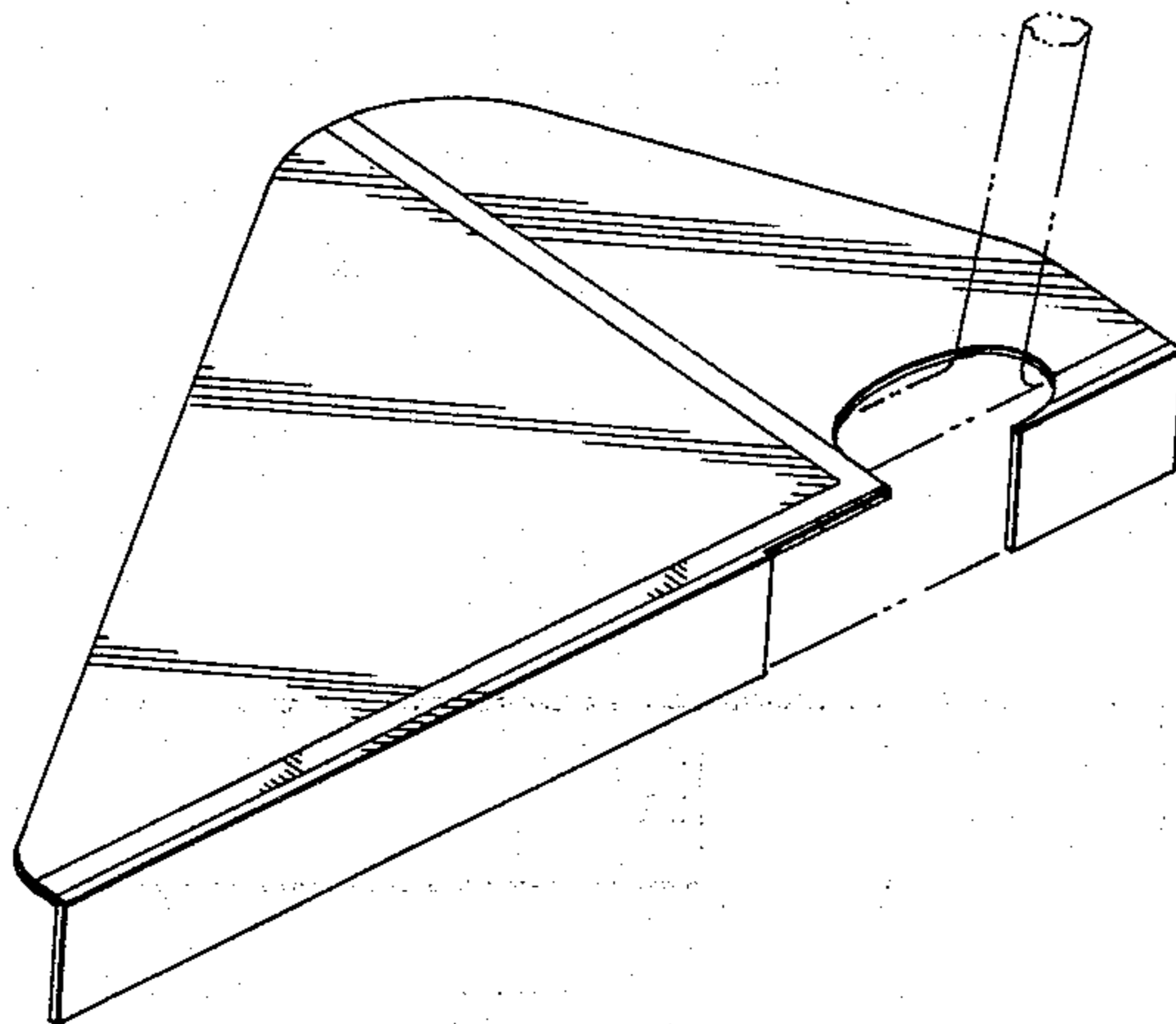
FIG. 2 is a bottom plan view of the putting guide device of FIG. 1;

FIG. 3 is a rear elevational view of the putting guide device of FIG. 1;

FIG. 4 is a right side elevational view of the putting guide device of FIG. 1.

The left side elevational view of the putting guide device of FIG. 1 opposite to the right side elevational view of FIG. 4 is the mirror image thereof.

The broken line showing of a golf club head in FIG. 1 is to indicate environment only.



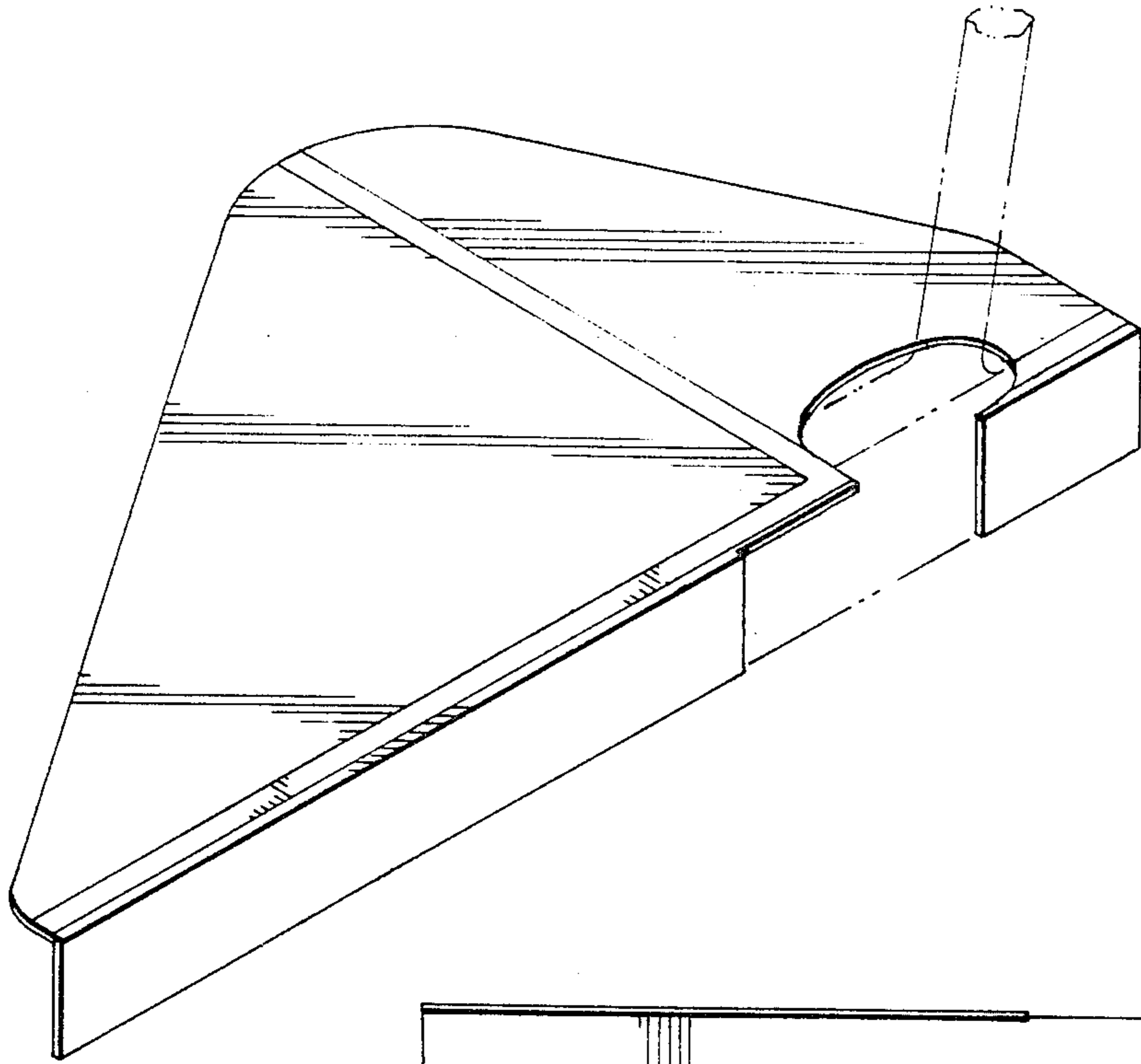


FIG 1

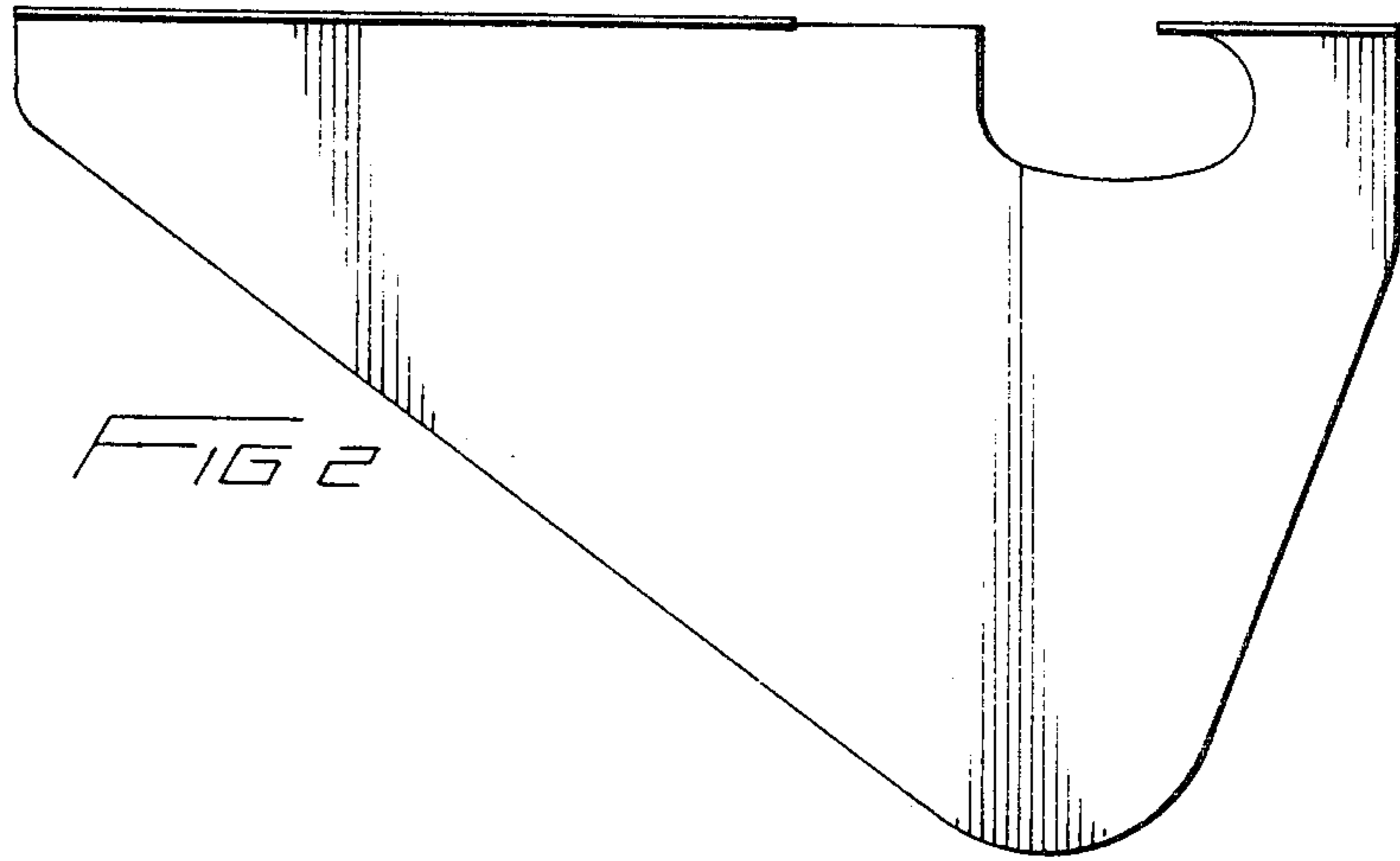


FIG 2

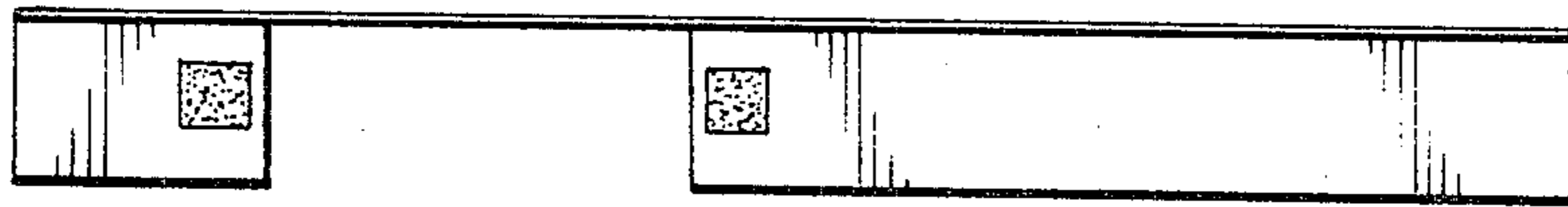


FIG 3

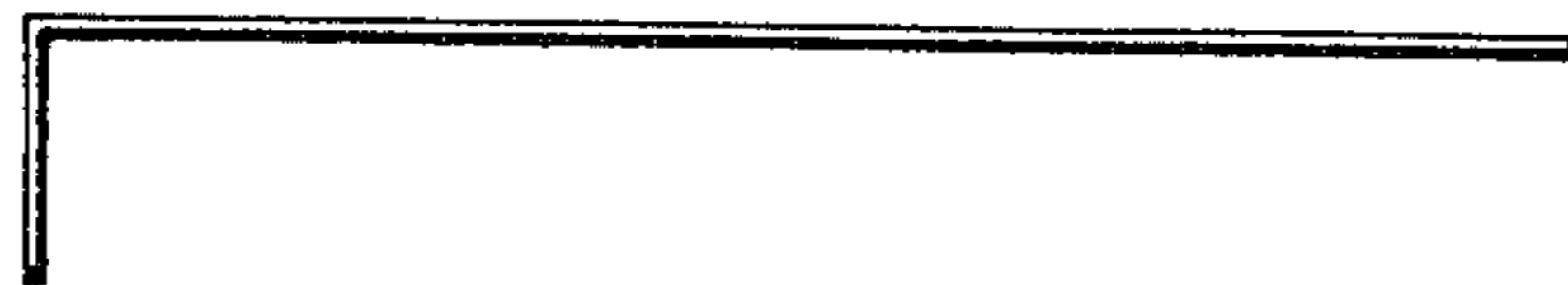


FIG 4